

1.00mm(.039") HOUSING


MATERIAL

Insulator: Nylon 66 UL 94V-0
Color: Nature

SPECIFICATIONS

Temperature range: -25°C ~ +85°C
Current rating: 1A AC/DC
Voltage rating: 125V AC/DC
Dielectric withstand voltage: 500V AC
Insulation resistance: 100 MΩ Min.
Contact resistance: 0.02 Ω Max.

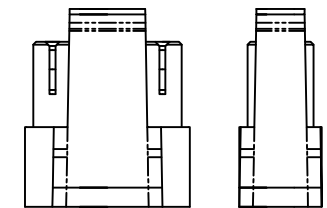
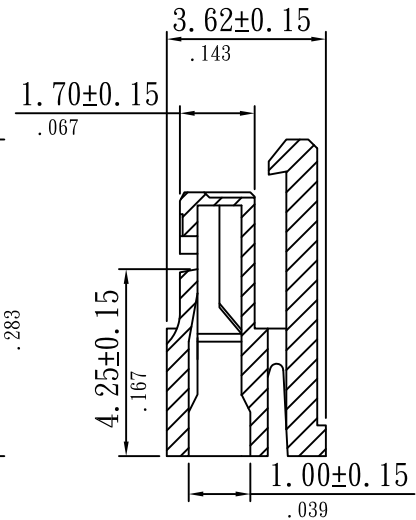
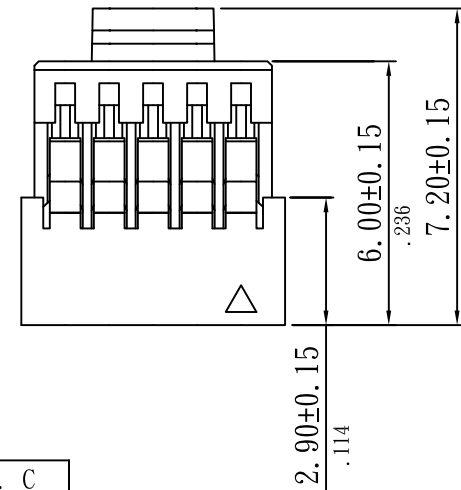
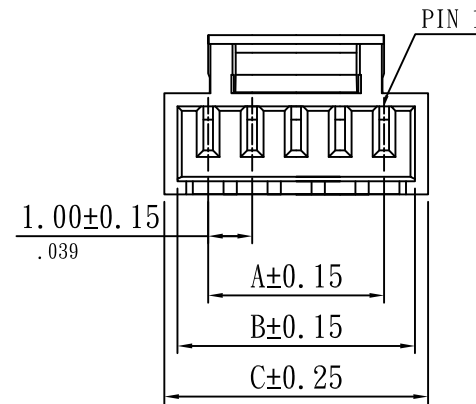
Order Information

R 8450-xxP-L 
1 2 3 4

1. RoHS
2. Series
3. Pin No.
4. Lock

Dimensional Information

Circuits	Dim. A	Dim. B	Dim. C	Circuits	Dim. A	Dim. B	Dim. C
2	1.00(0.039)	2.40(0.181)	3.00(0.181)	12	11.00(0.039)	12.40(0.181)	13.00(0.181)
3	2.00(0.079)	3.40(0.339)	4.00(0.339)	13	12.00(0.079)	13.40(0.339)	14.00(0.339)
4	3.00(0.118)	4.40(0.378)	5.00(0.378)	14	13.00(0.118)	14.40(0.378)	15.00(0.378)
5	4.00(0.157)	5.40(0.654)	6.00(0.654)	15	14.00(0.157)	15.40(0.654)	16.00(0.654)
6	5.00(0.197)	6.40(0.732)	7.00(0.732)	16	15.00(0.197)	16.40(0.732)	17.00(0.732)
7	6.00(0.236)	7.40(0.890)	8.00(0.890)	17	16.00(0.236)	17.40(0.890)	18.00(0.890)
8	7.00(0.276)	8.40(0.969)	9.00(0.969)	18	17.00(0.276)	18.40(0.969)	19.00(0.969)
9	8.00(0.315)	9.40(1.126)	10.00(1.126)	19	18.00(0.315)	19.40(1.126)	20.00(1.126)
10	9.00(0.354)	10.40(1.283)	11.00(1.283)	20	19.00(0.354)	20.40(1.283)	21.00(1.283)
11	10.00(0.354)	11.40(1.283)	12.00(1.283)				



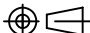
FOR 4~20P

FOR 2~3P

BACK VIEW



 Sunny Young Enterprise Co., Ltd.
S. Y. E. <http://www.sunnyyoung.com.tw>
13F., No. 116, Sec. 1, Xintai 5th Rd., Xizhi Dist., New Taipei City 221, Taiwan
Tel: +886 2 2696 1668(REP) Fax: +886 2 2696 2668

S060	NAME	DATE	SCALE: 1:6	REV NO	DATE	DESCRIPTION	BY	CHECKED	TOLERANCE UNLESS NOTED	
DRAWN	BEN	2014.07.28	UNIT: mm(in.)	A	2015.07.01	CHANGE PART No.	SONIA	CSH	LINEAR±	.0 ±0.30(.012)
CHECKED	SEAN	2014.08.01	CAD NO	B						.00 ±0.20(.008)
APPROVED	DAVID	2014.08.01	R8450-XXP-L	C						.000±0.10(.004)
									PROJECTION:	

PART NO R8450-XXP-L 

1.00mm(.039") TERMINAL

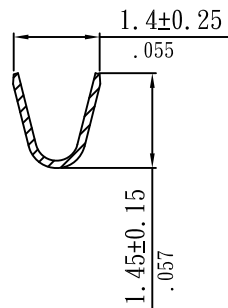
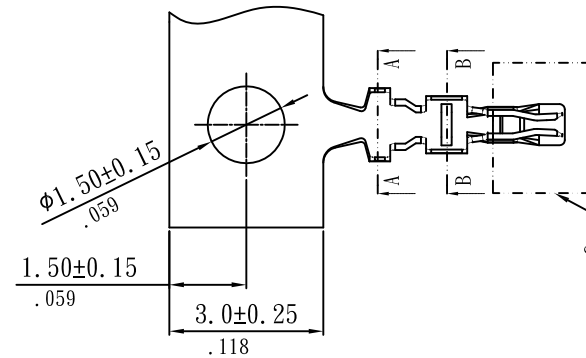
SPECIFICATION

Material : Phosphor Bronze
 Thickness : 0.12mm
 Plating : Tin Plated
 Applicable wire : AWG 32 ~ AWG 28
 Insulation O.D. : 0.65mm ~ 0.92mm

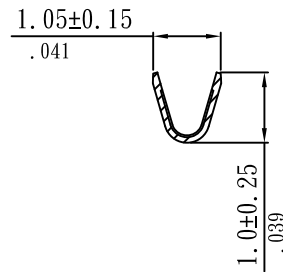
Order Information

R 8453-P T
 1 2 3 4

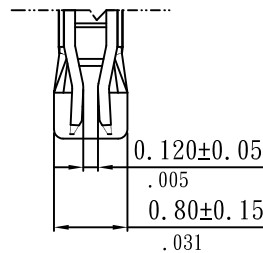
1. RoHS
2. Series No.
3. Phosphor Bronze
4. Tin plated



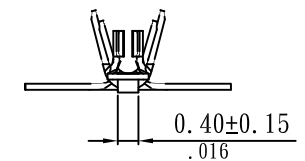
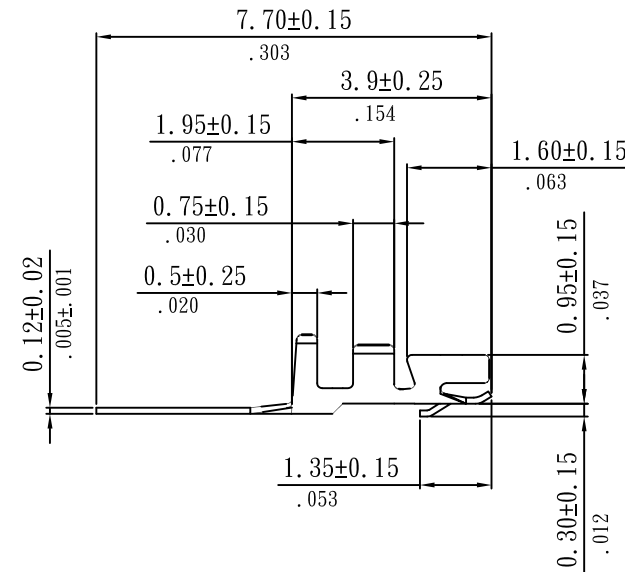
SECTION A-A



SECTION B-B



DETAIL C



S.Y.E. Sunny Young Enterprise Co., Ltd.
 S. Y. E. <http://www.sunnyyoung.com.tw>
 13F., No. 116, Sec. 1, Xintai 5th Rd., Xizhi Dist., New Taipei City 221, Taiwan
 Tel: +886 2 2696 1668 (REP) Fax: +886 2 2696 2668

S060	NAME	DATE	SCALE: 1:7	REV NO	DATE	DESCRIPTION	BY	CHECKED	TOLERANCE UNLESS NOTED	
DRAWN	BEN	2014.07.18	UNIT: mm(in.)	A					LINEAR±	.0 ±0.30(.012)
CHECKED	SEAN	2014.07.18	CAD NO	B				.00 ±0.20(.008)		
APPROVED	DAVID	2014.07.18	R8453-PT	C				.000±0.10(.004)		
PART NO	R8453-PT								PROJECTION:	