

1.00mm(.039") HOUSING

MATERIAL

Insulator: Nylon 66+GF UL 94V-0
 Color: Beige

SPECIFICATIONS

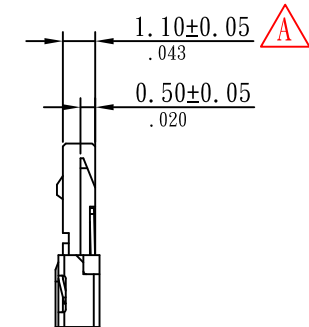
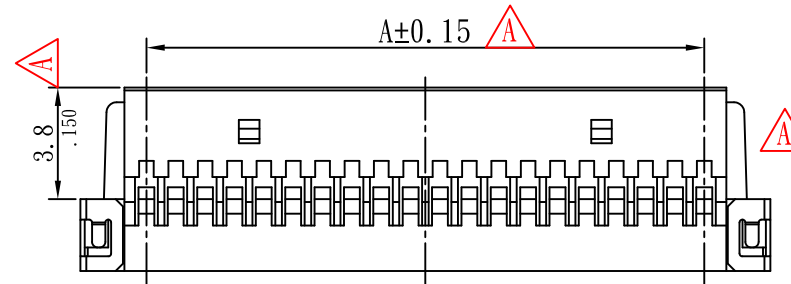
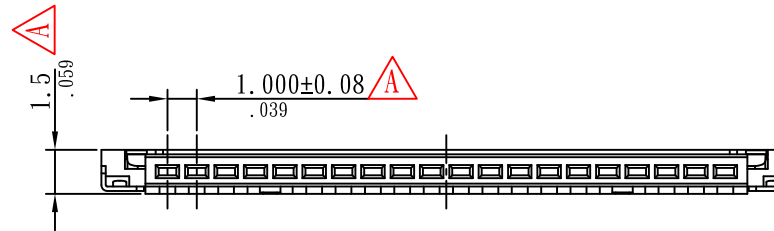
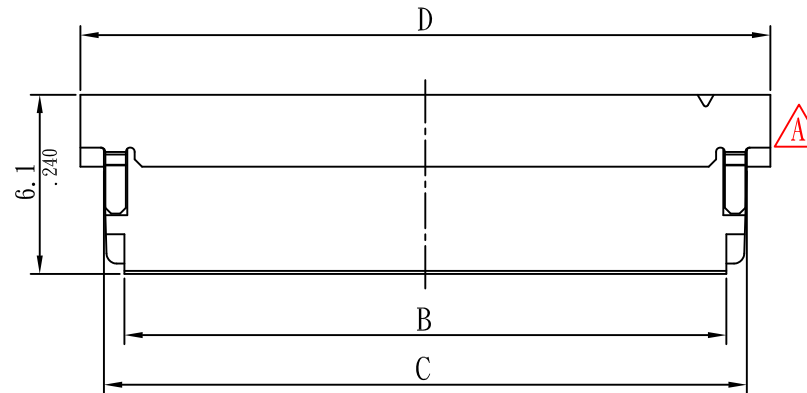
Temperature range: -25°C ~ +85°C
 Current rating: 1A AC/DC Max.
 Voltage rating: 50V AC/DC Max.
 Dielectric withstand voltage: 500V AC
 Insulation resistance: 100 MΩ Min.
 Contact resistance: 0.02Ω Max.

Order Information

R 8410-xxPS

1 2 3

1. RoHS
2. Series No.
3. Pin No.



Circuits	Dim. A	Dim. B	Dim. C	Dim. D
14	13.00(0.512)	14.5(0.571)	15.9(0.626)	17.5(0.689)
20	19.00(0.748)	20.5(0.807)	21.9(0.862)	23.5(0.925)
30	29.00(1.142)	30.5(1.201)	31.9(1.256)	33.5(1.319)

S.Y.E. Sunny Young Enterprise Co., Ltd.
 S. Y. E. <http://www.sunnyyoung.com.tw>
 13F., No. 116, Sec. 1, Xintai 5th Rd., Xizhi Dist., New Taipei City 221, Taiwan
 Tel:+886 2 2696 1668(REP) Fax:+886 2 2696 2668

T010	NAME	DATE	SCALE: 1:4	REV NO	DATE	DESCRIPTION	BY	CHECKED	TOLERANCE UNLESS NOTED	
DRAWN	PC	2008. 10. 27	UNIT: mm(in.)	A	2014. 05. 23	CHANGE DIMENSION & TOLERANCE ADD DIMENSION AND CHANGE APPEARANCE	BEN	SEAN	LINEAR±	.0 ±0.30(.012)
CHECKED	PIQI	2008. 10. 27	CAD NO	B						.00 ±0.20(.008)
APPROVED	MARS	2008. 10. 27	R8410-xxPS	C						.000±0.10(.004)
PART NO R8410-xxPS									PROJECTION:	

1.00mm(.039") WAFER SMT TYPE 90°

MATERIAL

Insulator: Nylon 9T Hologen-Free UL 94V-0
 Color: Black
 Contact: Copper alloy, t=0.20mm
 Shell: Copper alloy, t=0.15mm
 Plating: Gold flash over nickel on contact area
 Gold flash over nickel on solder area

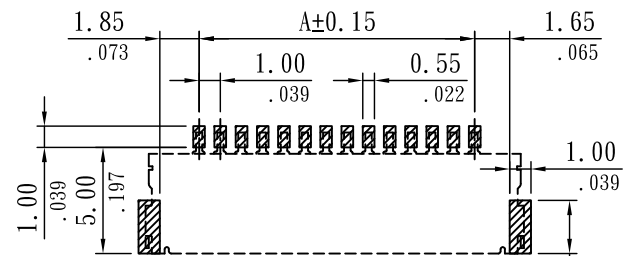
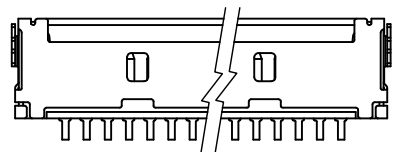
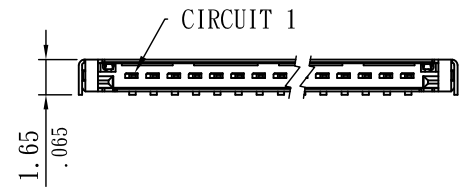
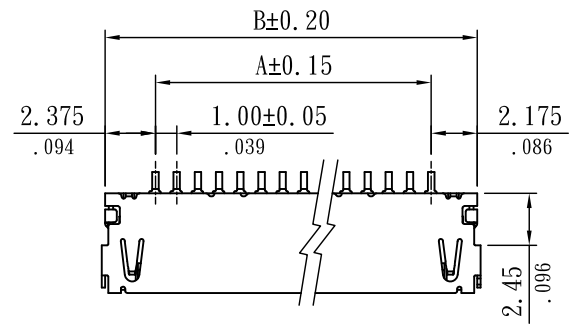
SPECIFICATIONS

Temperature range: -40°C ~ +105°C
 Current rating: 1.0A AC/DC
 Voltage rating: 100V AC/DC
 Dielectric withstand voltage: 300V AC
 Insulation resistance: 500 MΩ Min.
 Contact resistance: 0.03Ω Max.
 Mates with S.Y.E. R8410-xxPS housing

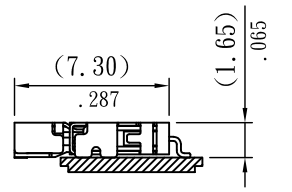
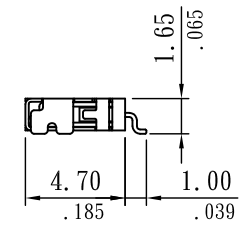
Order Information

R 8411-xx G R-SMT-A-1-R
 1 2 3 4 5 6 7 8 9

1. RoHS
2. Series No.
3. Pin No.
4. Gold plated
5. Right angle
6. SMT type
7. Black
8. Serial No.
9. Reel



TOERANCE: ±0.05
 RECOMMENDED PCB LAYOUT
 TOP VIEW



MATING CONDITION(REF.)

Dimensional Information

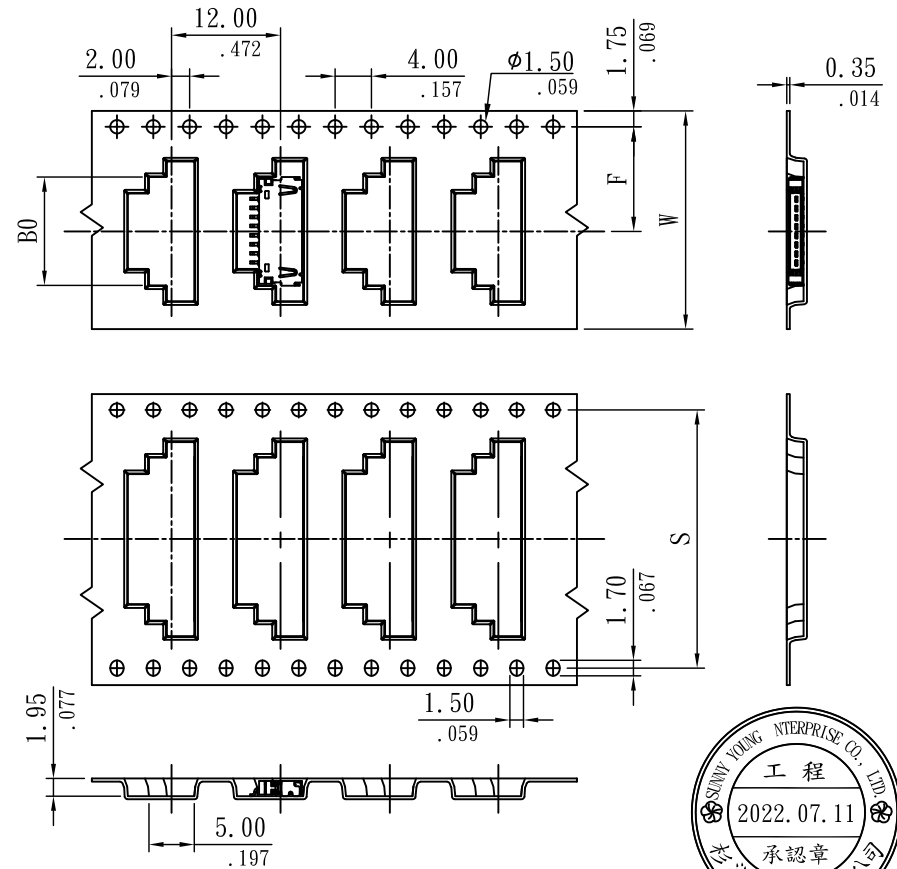
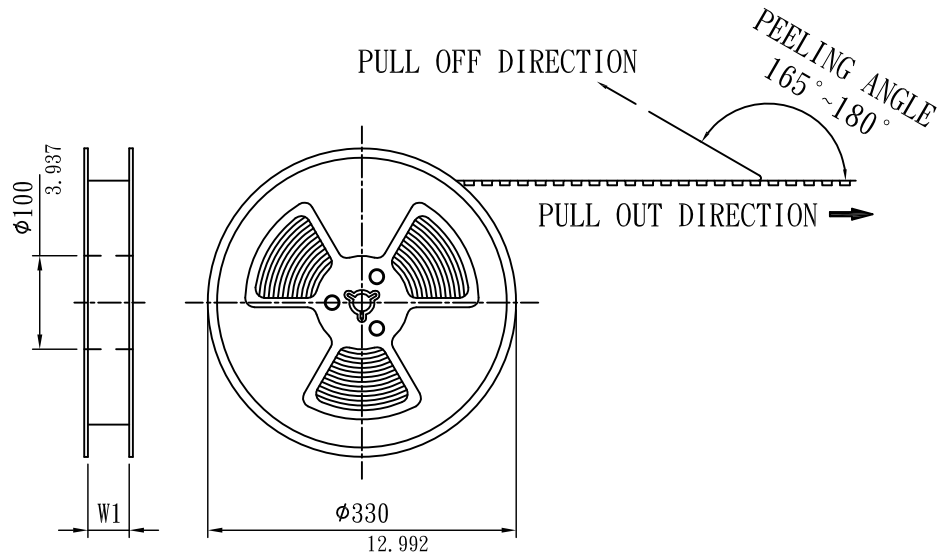
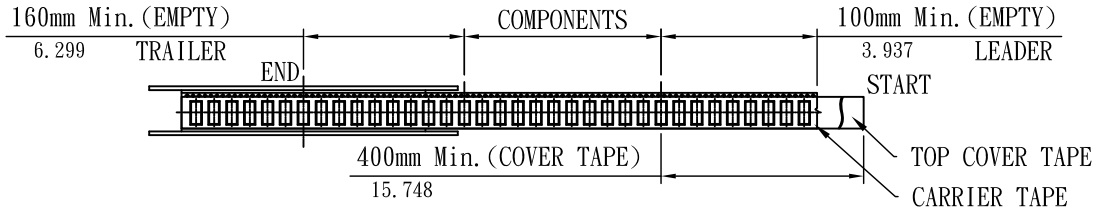
Circuits	DIM. A		DIM. B	
	mm	in	mm	in
8	7.00	0.276	11.55	0.455
14	13.00	0.512	17.55	0.691
20	19.00	0.748	23.55	0.927
30	29.00	1.142	33.55	1.321



Sunny Young Enterprise Co., Ltd.
 S.Y.E. <http://www.sunnyyoung.com.tw>
 13F., No. 116, Sec. 1, Xintai 5th Rd., Xizhi Dist., New Taipei City 221, Taiwan
 Tel:+886 2 2696 1668(REP) Fax:+886 2 2696 2668

PART NO	R8411-xxGR-SMT-A-1-R	S053	NAME	DATE	SCALE: NTS	REV NO	DATE	DESCRIPTION	BY	CHECKED	TOLERANCE UNLESS NOTED	
		DRAWN	RALF	2022.07.11	UNIT: mm(in.)	A						
CHECKED	DEAN	2022.07.11	CAD NO	B								
APPROVED	APPLE	2022.07.11	R8411-xxGR-SMT-A-1-R	C								PROJECTION:

TRAILER AND LEADER



- NOTE:
1. 10 SPROCKET HOLE PITCH CUMULATIVE TOLERANCE±0.20
 2. CARRIER CAMBER IS WITHIN 1mm IN 250mm
 3. THE TOTAL TEARING CONTROL RANGE OF TOP COVER TAPE IS 10~130g, REFERENCE SPEC:EIA-481-D
 4. PEELING SPEED:300mm/MINUTES, REFERENCE SPEC:EIA-481-D
 5. MATERIAL:TRANSPARENT CONDUCTIVE POLYSTYRENE ALLOY. (UP-5000)
 6. ALL DIMENSIONS MEET EIA-481-D REQUIREMENTS
 7. THICKNESS:0.35±0.05mm
 8. COMPONENT LOAD PER 13" REEL:2500 PCS



Dimensional Information

Circuits	DIM. B0		DIM. F		DIM. S		DIM. W		DIM. W1	
	mm	in	mm	in	mm	in	mm	in	mm	in
8	12.25	0.482	11.50	0.453	20.20	0.795	24.00	0.945	24.50	0.965
14	18.25	0.719	14.20	0.559	28.40	1.118	32.00	1.260	32.50	1.280
20	24.25	0.955	20.20	0.795	40.40	1.591	44.00	1.732	44.50	1.752
30	34.25	1.348	26.20	1.031	56.20	2.213	56.00	2.205	56.50	2.224

Sunny Young Enterprise Co., Ltd.
 S. Y. E. <http://www.sunnyyoung.com.tw>
 13F., No. 116, Sec. 1, Xintai 5th Rd., Xizhi Dist., New Taipei City 221, Taiwan
 Tel:+886 2 2696 1668(REP) Fax:+886 2 2696 2668

S053	NAME	DATE	SCALE: NTS	REV NO	DATE	DESCRIPTION	BY	CHECKED	TOLERANCE UNLESS NOTED	
DRAWN	RALF	2022.07.11	UNIT:mm(in.)	A					LINEAR±	.0 ±0.25(.010)
CHECKED	DEAN	2022.07.11	CAD NO	B						.00 ±0.15(.006)
APPROVED	APPLE	2022.07.11	R8411-xxGR-SMT-A-1-R	C						.000±0.08(.003)

PART NO R8411-xxGR-SMT-A-1-R

PROJECTION:

1.00mm(.039") TERMINAL

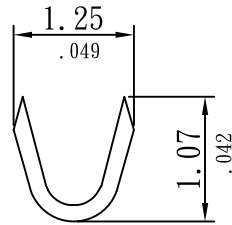
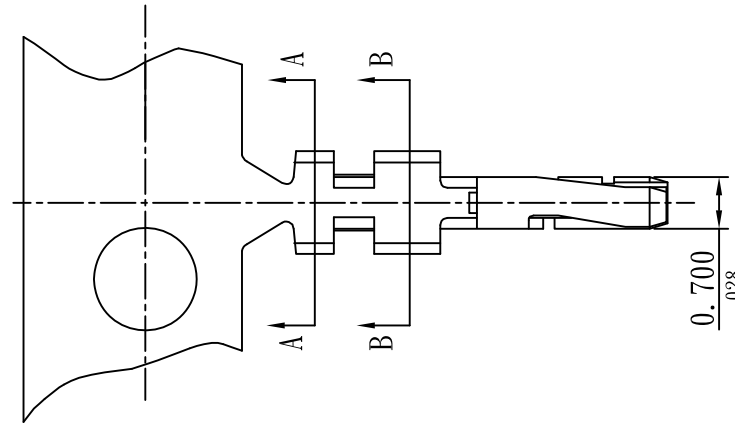
SPECIFICATIONS

Material: Phosphor Bronze
 Thickness : 0.15mm
 Plating : Gold plated
 Applicable wire : AWG 32 ~ AWG 28
 Insulation O.D. : 0.75mm Max.

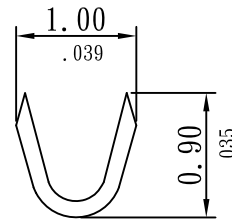
Order Information

R 8413-P G
 1 2 3 4

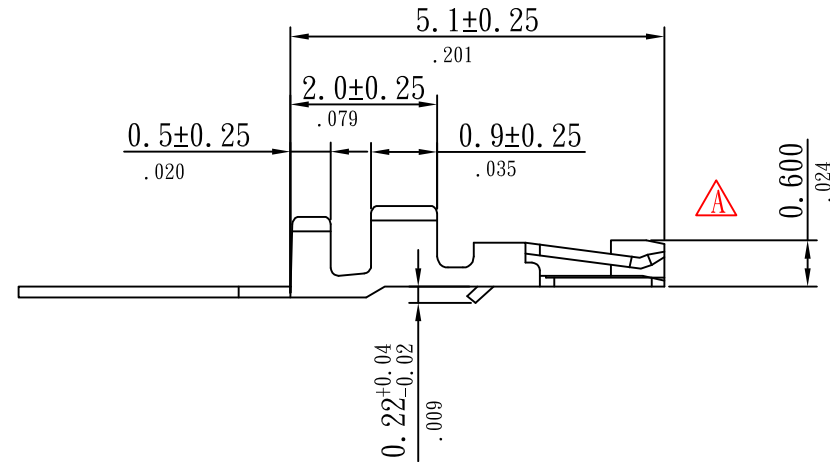
1. RoHS
2. Series No.
3. Phosphor bronze
4. Gold plated



SECTION A-A



SECTION B-B



Sunny Young Enterprise Co., Ltd.

S. Y. E. <http://www.sunnyyoung.com.tw>

13F., No. 116, Sec. 1, Xintai 5th Rd., Xizhi Dist., New Taipei City 221, Taiwan

Tel: +886 2 2696 1668(REP) Fax: +886 2 2696 2668

PART NO

R8413-PG

T010	NAME	DATE	SCALE: 1:10	REV NO	DATE	DESCRIPTION	BY	CHECKED	TOLERANCE UNLESS NOTED	
DRAWN	CMM	2010. 01. 08	UNIT: mm(in.)	A	2015. 01. 14	DELETE THE DIMENSION	SONIA	SEAN	LINEAR±	.0 ±0.30(.012)
CHECKED			CAD NO	B						.00 ±0.20(.008)
APPROVED	MARS	2010. 01. 08	R8413-PG	C						.000±0.10(.004)

PROJECTION: