

2. 16mm(.085") CENTRONIC SOLDER

MATERIAL

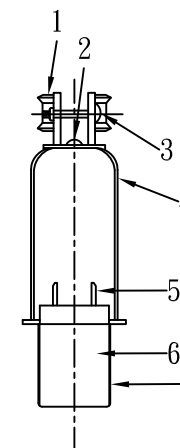
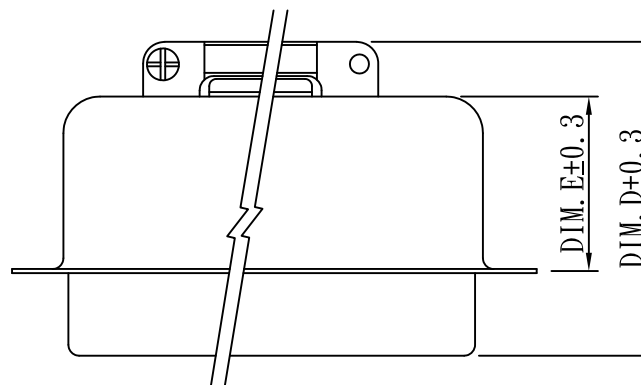
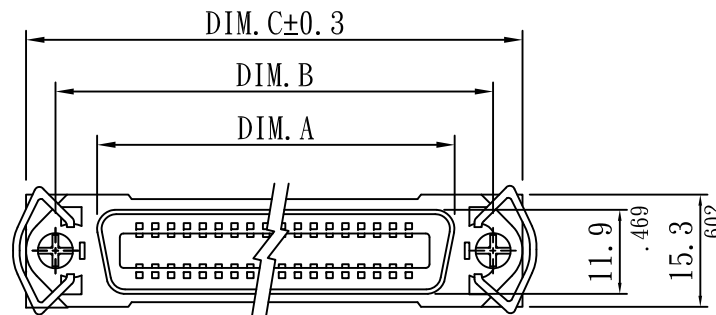
Insulator: PBT+GF UL 94V-0
 Color: Blue
 Contact: Phosphor Bronze
 Shell: Steel
 HOOD: Steel
 Contact Plating: Selective Gold plated over Nickel
 TAIL Contact Area Plating: Tin over Nickel
 Shell Plating: Nickel over Copper plated
 HOOD Plating: Nickel over Copper plated

SPECIFICATIONS

Temperature range: -55°C ~ +105°C
 Current rating: 1.0A
 Dielectric withstand voltage: 1000V
 Insulation resistance: 1000MΩ Min.
 Contact resistance: 0.025Ω Max.

R 7200-xx F G
 1 2 3 4 5

1. RoHS
2. Series No.
3. Pin No.
4. Female
5. G=Blue



Dimensional Information

Circuits	DIM. A		DIM. B		DIM. C		DIM. D		DIM. E	
	mm	in	mm	in	mm	in	mm	in	mm	in
14	25.20	0.992	36.00	1.417	43.90	1.728	41.40	1.630	21.60	0.850
24	36.00	1.417	46.80	1.843	54.70	2.154	39.80	1.567	19.70	0.776
36	48.90	1.925	59.70	2.350	67.60	2.661	42.80	1.685	23.80	0.937
50	64.10	2.524	74.90	2.949	82.80	3.260	45.40	1.787	25.80	1.016

NO	PART NAME
1	CABLE CLAMP
2	RIVET
3	SCREW
4	BACK SHELL
5	TERMINAL
6	INSULATOR
7	FRONT SHELL

PARTS OPTION

SCREWS(5. 2x10mm)



Sunny Young Enterprise Co., Ltd.

S. Y. E. <http://www.sunnyyoung.com.tw>

13F., No. 116, Sec. 1, Xintai 5th Rd., Xizhi Dist., New Taipei City 221, Taiwan

Tel: +886 2 2696 1668(REP) Fax: +886 2 2696 2668

M001	NAME	DATE	SCALE: NTS	REV NO	DATE	DESCRIPTION	BY	CHECKED	TOLERANCE UNLESS NOTED	
DRAWN	SEAN	2013.02.19	UNIT: mm(in.)	A					LINEAR±	.0 ±0.30(.012)
CHECKED	ALBETR	2013.02.19	CAD NO	B						.00 ±0.20(.008)
APPROVED	TINA	2013.02.19	R7200-xxFG	C						.000±0.10(.004)
PART NO	R7200-xxFG								PROJECTION:	

CENTRONIC SOLDER TYPE

MATERIAL

Insulator: P.B.T+30% Glass fiber UL 94V-0
 Contact: Phosphor Bronze
 Shell finish: Steel nickel plated
 Hood: Steel
 Plating: 1. Gold flash(complete)
 2. Selective gold over nickel plated
 Contact area: Tin over nickel plated (Tail Area)
 Shell: Nickel over copper plated
 Hood: Nickel over copper plated

SPECIFICATIONS

Temperature range: -55°C ~ +105°C
 Current rating: 1.0A
 Dielectric voltage: 1000V
 Insulation resistance: 1000 MΩ Min.
 Contact resistance: 0.025 Ω Max.

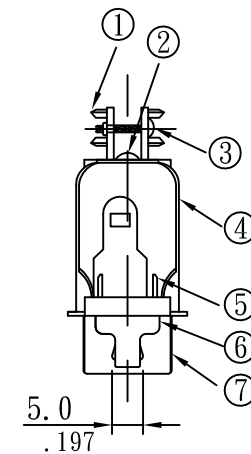
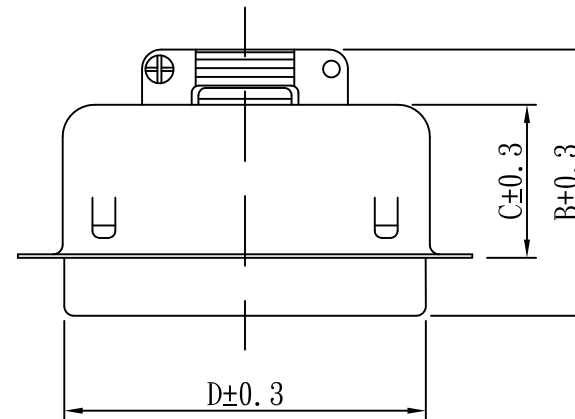
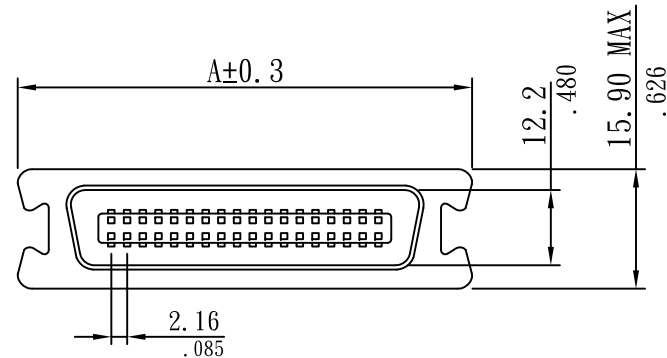
Order Information

R 7200-xx M G
1 2 3 4 5

1. RoHS
2. Series
3. Pin No.
4. Male
6. Blue

Dimensional Information

Circuits	Dim. A	Dim. B	Dim. C	Dim. D
14	38.00(1.496)	31.50(1.240)	21.20(0.835)	25.50(1.004)
24	49.00(1.929)	30.80(1.216)	20.60(0.811)	36.10(1.421)
36	61.70(2.429)	32.60(1.283)	22.50(0.886)	49.20(1.937)
50	77.00(3.031)	35.60(1.402)	24.90(0.980)	64.40(2.535)



NO	PAR NAME
1	CABLE CLAMP
2	RIVET
3	SCREW
4	BACK SHELL
5	TERMINAL
6	INSULATOR
7	FRONT SHELL



Sunny Young Enterprise Co., Ltd.

S. Y. E. <http://www.sunnyyoung.com.tw>

13F., No. 116, Sec. 1, Xintai 5th Rd., Xizhi Dist., New Taipei City 221, Taiwan

Tel: +886 2 2696 1668(REP) Fax: +886 2 2696 2668

PART NO

R7200-xxMG

M001	NAME	DATE	SCALE: NTS	REV NO	DATE	DESCRIPTION	BY	CHECKED	TOLERANCE UNLESS NOTED	
DRAWN	LEIJUN	2008.09.24	UNIT: mm(in.)	A					LINEAR±	.0 ±0.30(.012)
CHECKED	PIQI	2008.09.24	CAD NO	B				.00 ±0.20(.008)		
APPROVED	MARS	2008.09.24	R7200-xxMG	C				.000±0.10(.004)		
										PROJECTION: