

0.3mm(0.012") FPC DOUBLE CONTACT CONNECTOR

MATERIAL

Insulator: LCP UL 94V-0
 Color: Black
 Contact: Phosphor Bronze
 Contact Plating: Gold Plated
 LEG: Phosphor Bronze
 LEG Plating: Tin Plating over Nickel

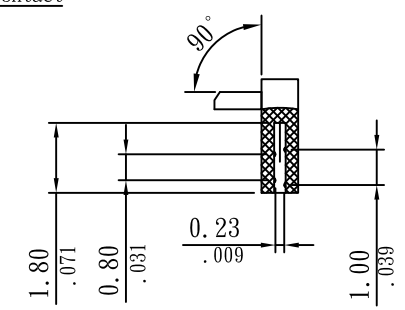
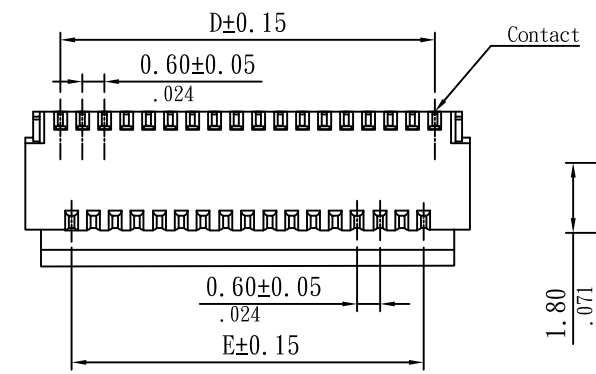
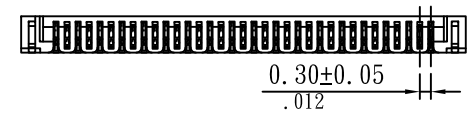
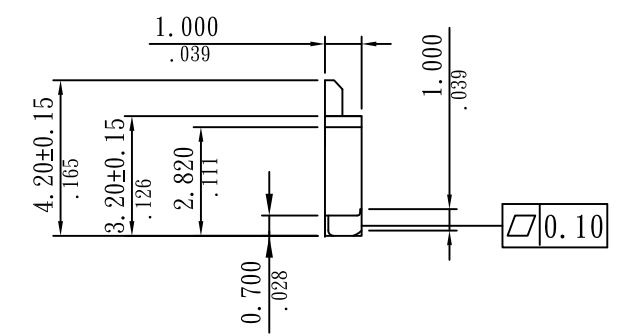
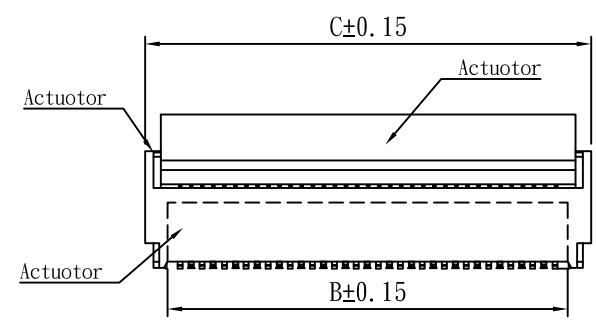
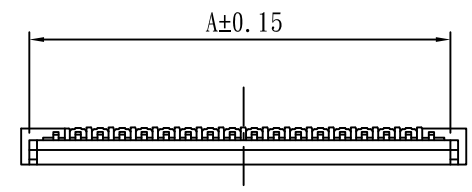
SPECIFICATIONS

Temperature Range: -55°C ~ +85°C
 Current Rating: 0.4A AC/DC
 Voltage Rating: 25V AC/DC
 Dielectric Withstand Voltage: 200 VAC
 Insulation resistance: 500 MΩ Min.
 Contact resistance: 0.02 Ω Max.

Order Information

R 6840-xx G R-SMT-R
 1 2 3 4 5 6 7

1. RoHS
2. Series No.
3. Pin No.
4. Gold Plated
5. Right Angle
6. SMT Type
7. Reel



S.Y.E. Sunny Young Enterprise Co., Ltd.
 S. Y. E. <http://www.sunnyyoung.com.tw>
 13F., No. 116, Sec. 1, Xintai 5th Rd., Xizhi Dist., New Taipei City 221, Taiwan
 Tel: +886 2 2696 1668(REP) Fax: +886 2 2696 2668

S130	NAME	DATE	SCALE: 1:5	REV NO	DATE	DESCRIPTION	BY	CHECKED	TOLERANCE UNLESS NOTED	
DRAWN	SEAN	2013. 09. 13	UNIT: mm(in.)	A					LINEAR±	.0 ±0.30(.012)
CHECKED	STEVEN	2013. 09. 13	CAD NO	B						.00 ±0.20(.008)
APPROVED	TINA	2013. 09. 13	R6840-xxGR-SMT-R	C						.000±0.10(.004)
PART NO	R6840-xxGR-SMT-R								PROJECTION:	

