


# 1.27mm(.050") 64-BIT PCI CARD EDGE 3.3V 180° TYPE

## MATERIAL

Insulator: PPS UL 94V-0  
 Contact: Copper alloy  
 Plating: Gold plated on mating area  
 Tin plated on solder area  
 Nickel underplated overall

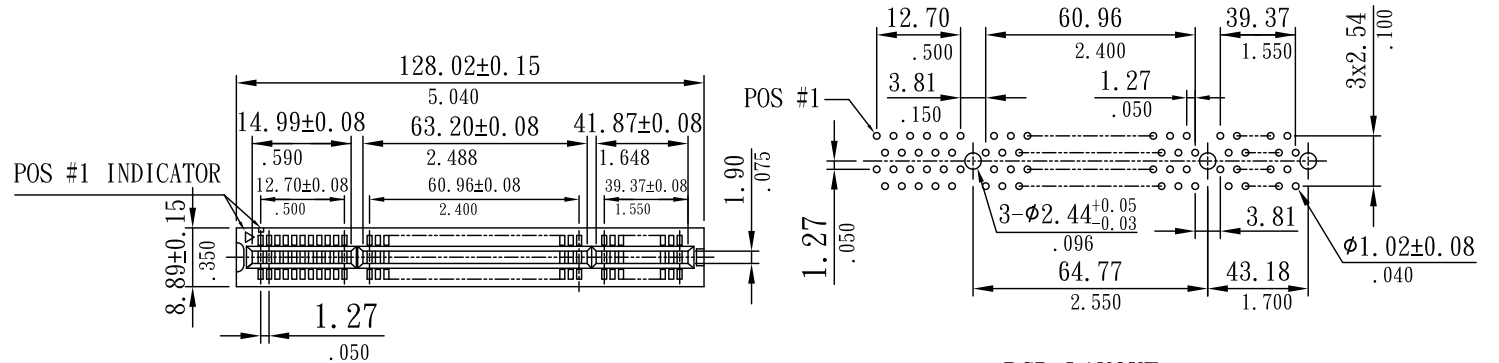
## SPECIFICATIONS

Temperature range: -55°C ~ +105°C  
 Current rating: 1.0A   
 Voltage rating: 250V AC  
 Insulation resistance: 1000 MΩ Min.  
 Contact resistance: 0.03 Ω Max.

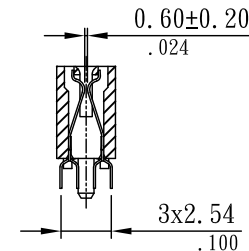
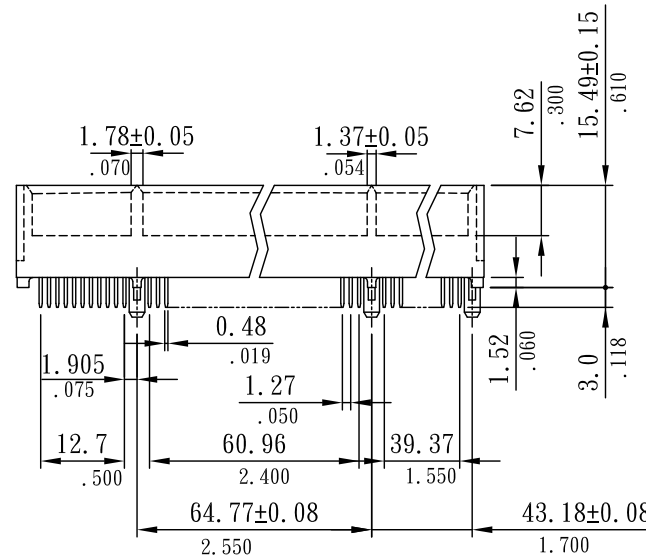
## Order Information


R 6830-184 H S-0 1-x-P-3  
 1 2 3 4 5 6 7 8 9 10

1. RoHS
2. Series No.
3. Pin No.
4. Selective gold plated
5. Straight angle
6. Without ear
7. With post
8. Insulator color:  
 J=White(standard)  
 A=Black
9. PPS
10. 3.3V



PCB LAYOUT



 Sunny Young Enterprise Co., Ltd. S. Y. E. <a href="http://www.sunnyyoung.com.tw">http://www.sunnyyoung.com.tw</a> 13F., No.116, Sec.1, Xintai 5th Rd., Xizhi Dist., New Taipei City 221, Taiwan Tel:+886 2 2696 1668(REP) Fax:+886 2 2696 2668	M121	NAME	DATE	SCALE: NTS	REV NO	DATE	DESCRIPTION	BY	CHECKED	TOLERANCE UNLESS NOTED	
	DRAWN	RALF	2019.06.21	UNIT: mm(in.)	A	2024.12.31	MODIFY CURRENT RATING:1A	JUNO	CHRIS	LINEAR±	.0 ±0.10(.004)
	CHECKED	EASON	2019.06.21	CAD NO	B						.00 ±0.05(.002)
	PART NO	R6830-184HS-01-x-P-3	APPROVED	APPLE	2019.06.21	R6830-184HS-01-x-P-3	C				