

# 0.50mm(.020") FPC/FFC CONNECTOR UPPER CONTACT 90°SMT

**MATERIAL**

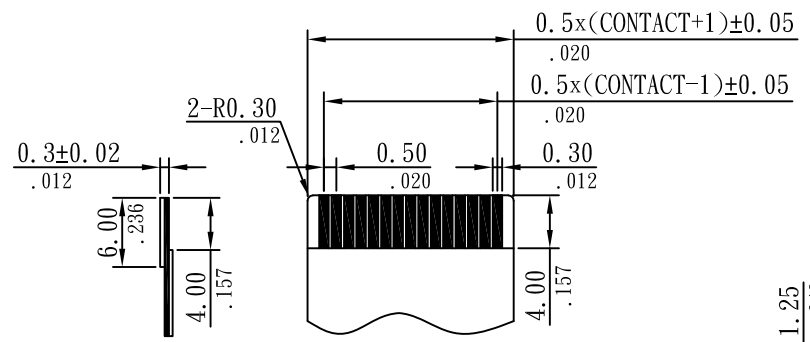
Housing: LCP UL 94V-0, Natural  
 Latch: LCP UL 94V-0, Black  
 Terminal: Phosphor Bronze  
 Matte Tin plated  
 Fitting Nail: Phosphor Bronze  
 Matte Tin plated

**SPECIFICATIONS**

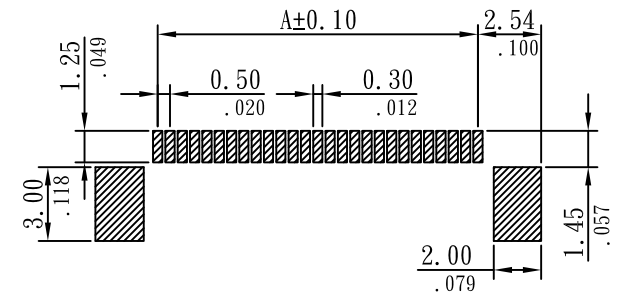
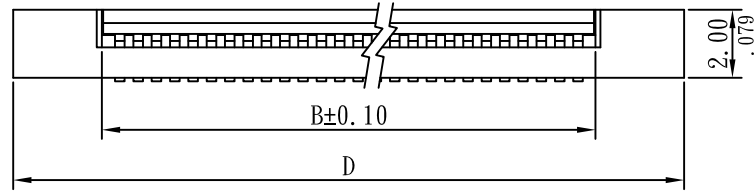
Temperature range: -20°C ~ +85°C  
 Current rating: 0.4A AC/DC  
 Voltage rating: 50V AC/DC  
 Dielectric withstand voltage: 200V AC/minute  
 Insulation resistance: 500 MΩ Min.  
 Contact resistance: 0.02Ω Max.

R 6822-xx T R-SMT-x  
 1 2 3 4 5 6 7

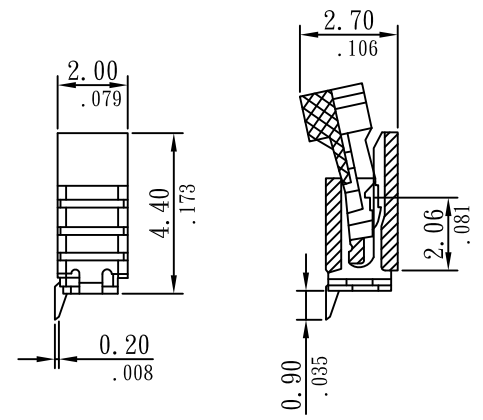
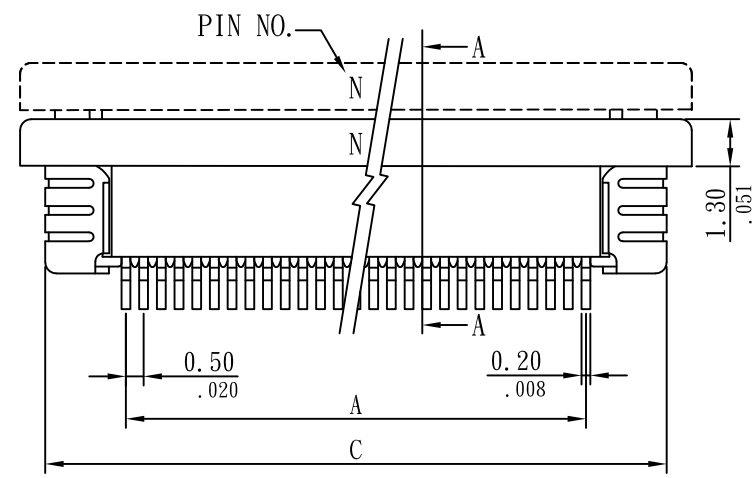
1. RoHS
2. Series No.
3. Pin No.
4. Tin plated
5. Right angle
6. SMT type
7. Packing: T=Tube  
 R=Tape & Reel



FFC/FPC DIMENSION



PCB LAYOUT



SECTION A-A


**Sunny Young Enterprise Co., Ltd.**  
 S. Y. E. <http://www.sunnyyoung.com.tw>  
 13F., No. 116, Sec. 1, Xintai 5th Rd., Xizhi Dist., New Taipei City 221, Taiwan  
 Tel.: +886 2 2696 1668(REP) Fax: +886 2 2696 2668

PART NO	R6822-xxTR-SMT-x	S130	NAME	DATE	SCALE: NTS	REV NO	DATE	DESCRIPTION	BY	CHECKED	TOLERANCE UNLESS NOTED	
		DRAWN	RALF	2020.04.16	UNIT: mm(in.)	A						
CHECKED	DEAN	2020.04.16	CAD NO	B								.00 ±0.20(.008)
APPROVED	APPLE	2020.04.16	R6822-xxTR-SMT-x	C								.000±0.10(.004)
											PROJECTION:	

Dimensional Information

Circuits	DIM. A		DIM. B		DIM. C		DIM. D		Circuits	DIM. A		DIM. B		DIM. C		DIM. D	
	mm	in	mm	in	mm	in	mm	in		mm	in	mm	in	mm	in	mm	in
4	1.50	0.059	2.60	0.102	6.35	0.250	7.65	0.301	33	16.00	0.630	17.10	0.673	20.85	0.821	22.15	0.872
5	2.00	0.079	3.10	0.122	6.85	0.270	8.15	0.321	34	16.50	0.650	17.60	0.693	21.35	0.841	22.65	0.892
6	2.50	0.098	3.60	0.142	7.35	0.289	8.65	0.341	35	17.00	0.669	18.10	0.713	21.85	0.860	23.15	0.911
7	3.00	0.118	4.10	0.161	7.85	0.309	9.15	0.360	36	17.50	0.689	18.60	0.732	22.35	0.880	23.65	0.931
8	3.50	0.138	4.60	0.181	8.35	0.329	9.65	0.380	37	18.00	0.709	19.10	0.752	22.85	0.900	24.15	0.951
9	4.00	0.157	5.10	0.201	8.85	0.348	10.15	0.400	38	18.50	0.728	19.60	0.772	23.35	0.919	24.65	0.970
10	4.50	0.177	5.60	0.220	9.35	0.368	10.65	0.419	39	19.00	0.748	20.10	0.791	23.85	0.939	25.15	0.990
11	5.00	0.197	6.10	0.240	9.85	0.388	11.15	0.439	40	19.50	0.768	20.60	0.811	24.35	0.959	25.65	1.010
12	5.50	0.217	6.60	0.260	10.35	0.407	11.65	0.459	41	20.00	0.787	21.10	0.831	24.85	0.978	26.15	1.030
13	6.00	0.236	7.10	0.280	10.85	0.427	12.15	0.478	42	20.50	0.807	21.60	0.850	25.35	0.998	26.65	1.049
14	6.50	0.256	7.60	0.299	11.35	0.447	12.65	0.498	43	21.00	0.827	22.10	0.870	25.85	1.018	27.15	1.069
15	7.00	0.276	8.10	0.319	11.85	0.467	13.15	0.518	44	21.50	0.846	22.60	0.890	26.35	1.037	27.65	1.089
16	7.50	0.295	8.60	0.339	12.35	0.486	13.65	0.537	45	22.00	0.866	23.10	0.909	26.85	1.057	28.15	1.108
17	8.00	0.315	9.10	0.358	12.85	0.506	14.15	0.557	46	22.50	0.886	23.60	0.929	27.35	1.077	28.65	1.128
18	8.50	0.335	9.60	0.378	13.35	0.526	14.65	0.577	47	23.00	0.906	24.10	0.949	27.85	1.096	29.15	1.148
19	9.00	0.354	10.10	0.398	13.85	0.545	15.15	0.596	48	23.50	0.925	24.60	0.969	28.35	1.116	29.65	1.167
20	9.50	0.374	10.60	0.417	14.35	0.565	15.65	0.616	49	24.00	0.945	25.10	0.988	28.85	1.136	30.15	1.187
21	10.00	0.394	11.10	0.437	14.85	0.585	16.15	0.636	50	24.50	0.965	25.60	1.008	29.35	1.156	30.65	1.207
22	10.50	0.413	11.60	0.457	15.35	0.604	16.65	0.656	51	25.00	0.984	26.10	1.028	29.85	1.175	31.15	1.226
23	11.00	0.433	12.10	0.476	15.85	0.624	17.15	0.675	52	25.50	1.004	26.60	1.047	30.35	1.195	31.65	1.246
24	11.50	0.453	12.60	0.496	16.35	0.644	17.65	0.695	53	26.00	1.024	27.10	1.067	30.85	1.215	32.15	1.266
25	12.00	0.472	13.10	0.516	16.85	0.663	18.15	0.715	54	26.50	1.043	27.60	1.087	31.35	1.234	32.65	1.285
26	12.50	0.492	13.60	0.535	17.35	0.683	18.65	0.734	55	27.00	1.063	28.10	1.106	31.85	1.254	33.15	1.305
27	13.00	0.512	14.10	0.555	17.85	0.703	19.15	0.754	56	27.50	1.083	28.60	1.126	32.35	1.274	33.65	1.325
28	13.50	0.531	14.60	0.575	18.35	0.722	19.65	0.774	57	28.00	1.102	29.10	1.146	32.85	1.293	34.15	1.344
29	14.00	0.551	15.10	0.594	18.85	0.742	20.15	0.793	58	28.50	1.122	29.60	1.165	33.35	1.313	34.65	1.364
30	14.50	0.571	15.60	0.614	19.35	0.762	20.65	0.813	59	29.00	1.142	30.10	1.185	33.85	1.333	35.15	1.384
31	15.00	0.591	16.10	0.634	19.85	0.781	21.15	0.833	60	29.50	1.161	30.60	1.205	34.35	1.352	35.65	1.404
32	15.50	0.610	16.60	0.654	20.35	0.801	21.65	0.852									



 Sunny Young Enterprise Co., Ltd. S. Y. E. <a href="http://www.sunnyyoung.com.tw">http://www.sunnyyoung.com.tw</a> 13F., No. 116, Sec. 1, Xintai 5th Rd., Xizhi Dist., New Taipei City 221, Taiwan Tel: +886 2 2696 1668(REP) Fax: +886 2 2696 2668	S130	NAME	DATE	SCALE: NTS	REV NO	DATE	DESCRIPTION	BY	CHECKED	TOLERANCE UNLESS NOTED	
	DRAWN	RALF	2020.04.16	UNIT: mm(in.)	A					LINEAR±	.0 ±0.30(.012)
	CHECKED	DEAN	2020.04.16	CAD NO	B				.00 ±0.20(.008)		
	APPROVED	APPLE	2020.04.16	R6822-xxTR-SMT-x	C				.000±0.10(.004)		
PART NO	R6822-xxTR-SMT-x										PROJECTION: 