

1. 25mm(.049") FPC/FFC CONNECTOR 90°

MATERIAL

Insulator: PBT UL 94V-0
 Color: White
 Contact: Copper alloy 0.50mm(.020")pins
 Plating: Tin plated

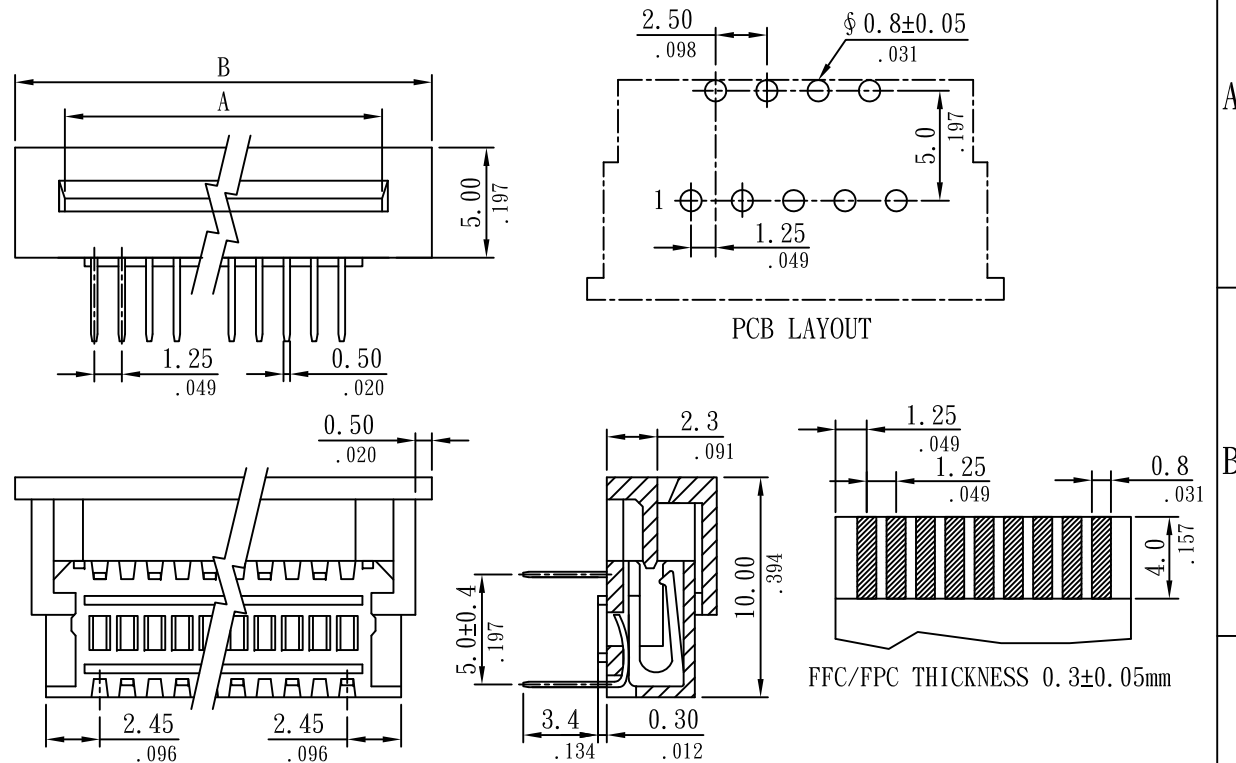
SPECIFICATIONS

Temperature range: -20°C ~ +85°C
 Current rating: 1.0A
 Voltage rating: 200V AC
 Dielectric withstand voltage: 500V AC
 Insulation resistance: 500 MΩ Min.
 Contact resistance: 0.02Ω Max.

Order Information

R 6820-xx T R
 1 2 3 4 5

1. RoHS
2. Series No.
3. Pin No.
4. Tin plated
5. Right angle



Dimensional Information

Circuits	Dim. A	Dim. B	Circuits	Dim. A	Dim. B	Circuits	Dim. A	Dim. B
3	5.20(0.205)	9.55(0.376)	13	17.70(0.697)	22.05(0.868)	23	30.20(1.189)	34.55(1.360)
4	6.45(0.254)	10.80(0.425)	14	18.95(0.746)	23.30(0.917)	24	31.45(1.238)	35.80(1.409)
5	7.70(0.303)	12.05(0.474)	15	20.20(0.795)	24.55(0.967)	25	32.70(1.287)	37.05(1.459)
6	8.95(0.352)	13.30(0.524)	16	21.45(0.844)	25.80(1.016)	26	33.95(1.337)	38.30(1.508)
7	10.20(0.402)	14.55(0.573)	17	22.70(0.894)	27.05(1.065)	27	35.20(1.386)	39.55(1.557)
8	11.45(0.451)	15.80(0.622)	18	23.95(0.943)	28.30(1.114)	28	36.45(1.435)	40.80(1.606)
9	12.70(0.500)	17.05(0.671)	19	25.20(0.992)	29.55(1.163)	29	37.70(1.484)	42.05(1.656)
10	13.95(0.549)	18.30(0.720)	20	26.45(1.041)	30.80(1.213)	30	38.95(1.533)	43.30(1.705)
11	15.20(0.598)	19.55(0.770)	21	27.70(1.091)	32.05(1.262)	31	40.20(1.583)	44.55(1.754)
12	16.45(0.648)	20.80(0.819)	22	28.95(1.140)	33.30(1.311)	32	41.45(1.632)	45.80(1.803)

S.Y.E. Sunny Young Enterprise Co., Ltd.
 S. Y. E. <http://www.sunnyyoung.com.tw>
 13F., No. 116, Sec. 1, Xintai 5th Rd., Xizhi Dist., New Taipei City 221, Taiwan
 Tel: +886 2 2696 1668(REP) Fax: +886 2 2696 2668

M086	NAME	DATE	SCALE: NTS	REV NO	DATE	DESCRIPTION	BY	CHECKED	TOLERANCE UNLESS NOTED	
DRAWN	YXF	2008.10.25	UNIT: mm(in.)	A					LINEAR±	.0 ±0.30(.012)
CHECKED	PIQI	2008.10.25	CAD NO	B				.00 ±0.20(.008)		
APPROVED	MARS	2008.10.25	R6820-xxTR	C				.000±0.10(.004)		
PART NO R6820-xxTR										PROJECTION:

1. 25mm(.049") FPC/FFC CONNECTOR 180°

MATERIAL

Insulator: PBT UL 94V-0
 Color: White
 Contact: Copper alloy 0.50mm(.020") pins
 Plating: Tin plated

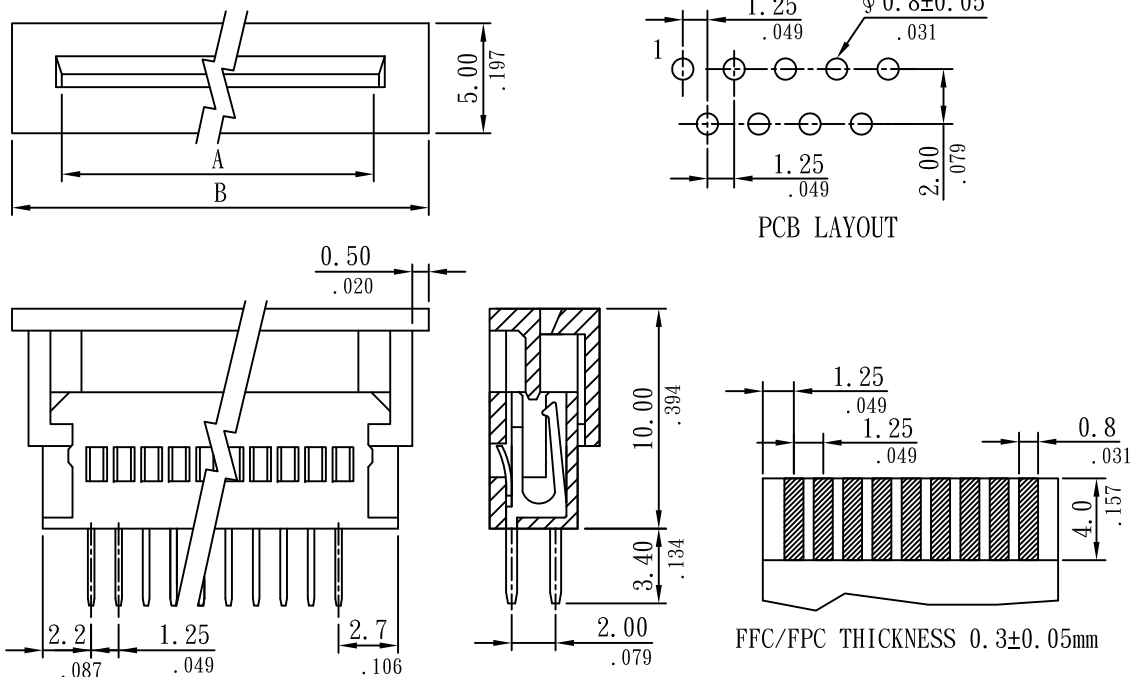
SPECIFICATIONS

Temperature range: -20°C ~ +85°C
 Current rating: 1.0A
 Voltage rating: 200V AC
 Dielectric withstand voltage: 500V AC
 Insulation resistance: 500 MΩ Min.
 Contact resistance: 0.02Ω Max.

Order Information

R 6820-xx T S
 1 2 3 4 5

1. RoHS
2. Series No.
3. Pin No.
4. Tin plated
5. Straight angle



Dimensional Information

Circuits	Dim. A	Dim. B	Circuits	Dim. A	Dim. B	Circuits	Dim. A	Dim. B
3	5.20(0.205)	9.55(0.376)	13	17.70(0.697)	22.05(0.868)	23	30.20(1.189)	34.55(1.360)
4	6.45(0.254)	10.80(0.425)	14	18.95(0.746)	23.30(0.917)	24	31.45(1.238)	35.80(1.409)
5	7.70(0.303)	12.05(0.474)	15	20.20(0.795)	24.55(0.967)	25	32.70(1.287)	37.05(1.459)
6	8.95(0.352)	13.30(0.524)	16	21.45(0.844)	25.80(1.016)	26	33.95(1.337)	38.30(1.508)
7	10.20(0.402)	14.55(0.573)	17	22.70(0.894)	27.05(1.065)	27	35.20(1.386)	39.55(1.557)
8	11.45(0.451)	15.80(0.622)	18	23.95(0.943)	28.30(1.114)	28	36.45(1.435)	40.80(1.606)
9	12.70(0.500)	17.05(0.671)	19	25.20(0.992)	29.55(1.163)	29	37.70(1.484)	42.05(1.656)
10	13.95(0.549)	18.30(0.720)	20	26.45(1.041)	30.80(1.213)	30	38.95(1.533)	43.30(1.705)
11	15.20(0.598)	19.55(0.770)	21	27.70(1.091)	32.05(1.262)	31	40.20(1.583)	44.55(1.754)
12	16.45(0.648)	20.80(0.819)	22	28.95(1.140)	33.30(1.311)	32	41.45(1.632)	45.80(1.803)



Sunny Young Enterprise Co., Ltd.

S. Y. E. <http://www.sunnyyoung.com.tw>

13F., No. 116, Sec. 1, Xintai 5th Rd., Xizhi Dist., New Taipei City 221, Taiwan

Tel: +886 2 2696 1668(REP) Fax: +886 2 2696 2668

M086	NAME	DATE	SCALE: NTS	REV NO	DATE	DESCRIPTION	BY	CHECKED	TOLERANCE UNLESS NOTED	
DRAWN	YXF	2008.10.25	UNIT: mm(in.)	A					LINEAR±	.0 ±0.30(.012)
CHECKED	PIQI	2008.10.25	CAD NO	B				.00 ±0.20(.008)		
APPROVED	MARS	2008.10.25	R6820-xxTS	C				.000±0.10(.004)		
PART NO	R6820-xxTS								PROJECTION:	