

1. 25mm(.049") HOUSING

MATERIAL

Insulator: Nylon 66 UL 94V-0
Color: White

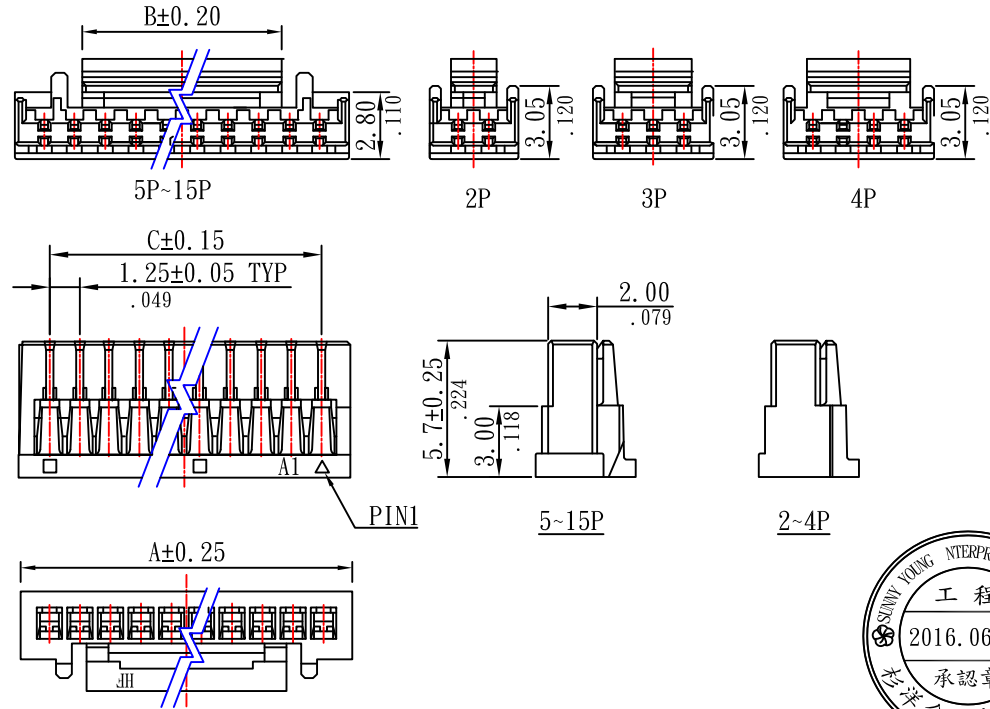
SPECIFICATIONS

Temperature range: -25°C ~ +85°C
Current rating: 1.0A AC/DC
Voltage rating: 50V AC/DC
Dielectric withstand voltage: 500V AC
Insulation resistance: 100 MΩ Min.
Contact resistance: 0.03Ω Max.

Order Information

R 65B00-xxP
1 2 3

1. RoHS
2. Series No.
3. Pin No.



Dimensional Information

Circuits	Dim. A	Dim. B	Dim. C	Circuits	Dim. A	Dim. B	Dim. C
2	3.65(0.144)	1.90(0.075)	-----	9	12.40(0.488)	6.25(0.246)	10.00(0.394)
3	4.90(0.193)	3.10(0.122)	2.50(0.098)	10	13.65(0.537)	8.20(0.323)	11.25(0.433)
4	6.15(0.242)	4.25(0.167)	3.75(0.148)	11	14.90(0.587)	8.20(0.323)	12.50(0.492)
5	7.40(0.291)	4.25(0.167)	5.00(0.197)	12	16.15(0.636)	8.20(0.323)	13.75(0.541)
6	8.65(0.341)	6.25(0.246)	6.25(0.246)	13	17.40(0.685)	8.20(0.323)	15.00(0.591)
7	9.90(0.390)	6.25(0.246)	7.50(0.295)	14	18.65(0.734)	8.20(0.323)	16.25(0.640)
8	11.15(0.439)	6.25(0.246)	8.75(0.344)	15	19.90(0.783)	8.20(0.323)	17.50(0.689)



Sunny Young Enterprise Co., Ltd.

S. Y. E. <http://www.sunnyyoung.com.tw>

13F., No. 116, Sec. 1, Xintai 5th Rd., Xizhi Dist., New Taipei City 221, Taiwan

Tel: +886 2 2696 1668(REP) Fax: +886 2 2696 2668

T013	NAME	DATE	SCALE: 1:1	REV NO	DATE	DESCRIPTION	BY	CHECKED	TOLERANCE UNLESS NOTED	
DRAWN	HYS	2016.06.03	UNIT: mm(in.)	A					LINEAR±	.0 ±0.25(.010)
CHECKED	SEAN	2016.06.03	CAD NO	B						.00 ±0.15(.006)
APPROVED	ANDY	2016.06.04	R65B00-xxP	C						.000±0.08(.003)
PART NO	R65B00-xxP								PROJECTION:	

1.25mm(.049") WAFER 90° SMT

MATERIAL

Insulator: Nylon 6T UL 94V-0
 Color: Milky Yellow
 Contact Post: Phosphor bronze
 Contact Plating: Matte tin plated
 Solder tab: Brass
 Solder tab Plating: Matte tin plated

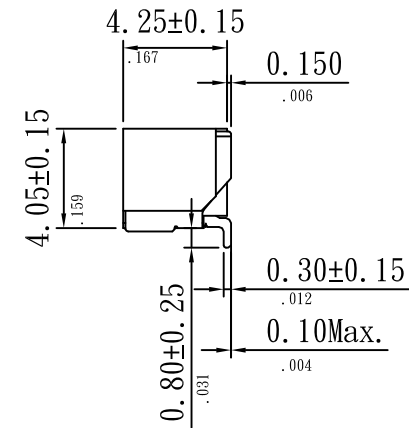
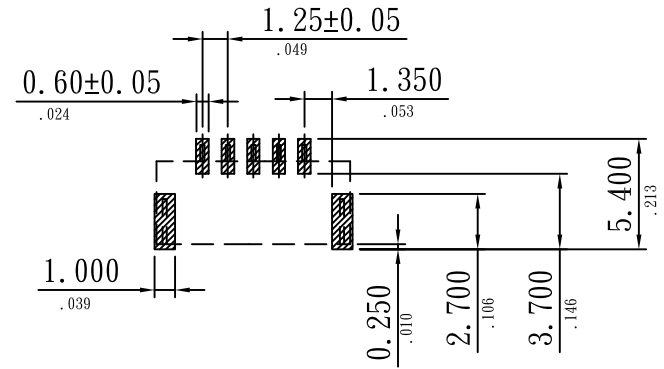
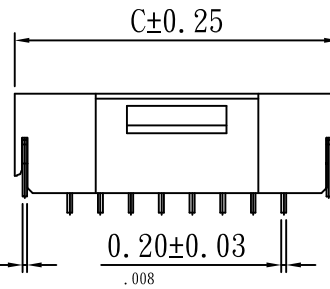
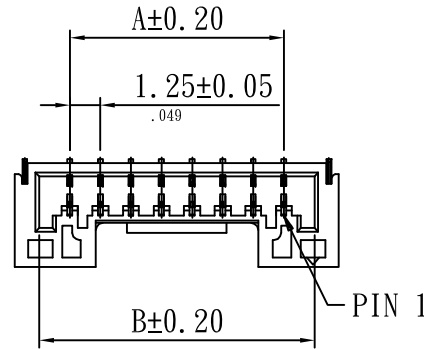
SPECIFICATIONS

Temperature range: -25°C ~ +85°C
 Current rating: 1.0A
 Voltage rating: 50V AC/DC
 Dielectric withstand voltage: 500V AC
 Insulation resistance: 100 MΩ Min.
 Contact resistance: 0.03Ω Max.

Order Information

R 65B01-xx T R-SMT
 1 2 3 4 5 6

1. RoHS
2. Series No.
3. Pin No.
4. Tin plated
5. Right angle
6. SMT Type



Circuits	Dim. A	Dim. B	Dim. C	Circuits	Dim. A	Dim. B	Dim. C
2	1.25(0.049)	3.75(0.148)	5.75(0.226)	9	10.00(0.394)	12.50(0.492)	14.50(0.571)
3	2.50(0.098)	5.00(0.197)	7.00(0.276)	10	11.25(0.443)	13.75(0.541)	15.75(0.620)
4	3.75(0.148)	6.25(0.246)	8.25(0.325)	11	12.50(0.492)	15.00(0.591)	17.00(0.669)
5	5.00(0.197)	7.50(0.295)	9.50(0.374)	12	13.75(0.541)	16.25(0.640)	18.25(0.719)
6	6.25(0.246)	8.75(0.344)	10.75(0.423)	13	15.00(0.591)	17.50(0.689)	19.50(0.768)
7	7.50(0.295)	10.00(0.394)	12.00(0.472)	14	16.25(0.640)	18.75(0.738)	20.75(0.817)
8	8.75(0.344)	11.25(0.443)	13.25(0.522)	15	17.50(0.689)	20.00(0.787)	22.00(0.866)



Sunny Young Enterprise Co., Ltd.

S. Y. E. <http://www.sunnyyoung.com.tw>

13F., No. 116, Sec. 1, Xintai 5th Rd., Xizhi Dist., New Taipei City 221, Taiwan

Tel: +886 2 2696 1668(REP) Fax: +886 2 2696 2668

T013	NAME	DATE	SCALE: NTS	REV NO	DATE	DESCRIPTION	BY	CHECKED	TOLERANCE UNLESS NOTED	
DRAWN	RALF	2019.03.27	UNIT: mm(in.)	A					LINEAR±	.0 ±0.30(.012)
CHECKED	EASON	2019.03.27	CAD NO	B				.00 ±0.20(.008)		
APPROVED	APPLE	2019.03.27	R65B01-xxTR-SMT	C						.000±0.10(.004)

PART NO R65B01-xxTR-SMT

PROJECTION:

1.25mm(.049") WAFER 180°SMT

MATERIAL

Insulator: Nylon 6T UL 94V-0
 Color: Milky Yellow
 Contact Post: Phosphor bronze
 Contact Plating: Matte tin plated
 Solder tab: Brass
 Solder tab Plating: Matte tin plated

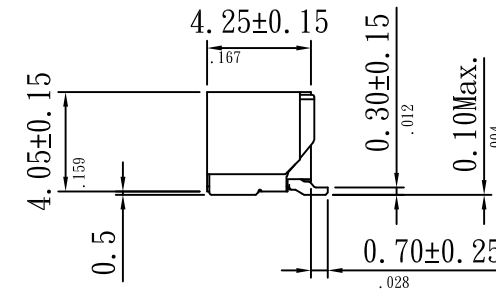
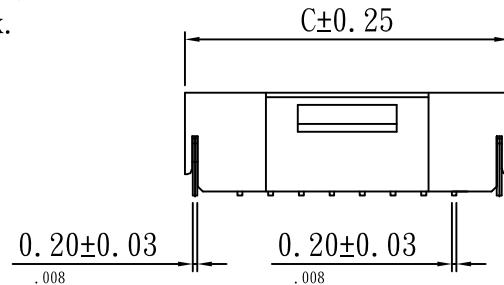
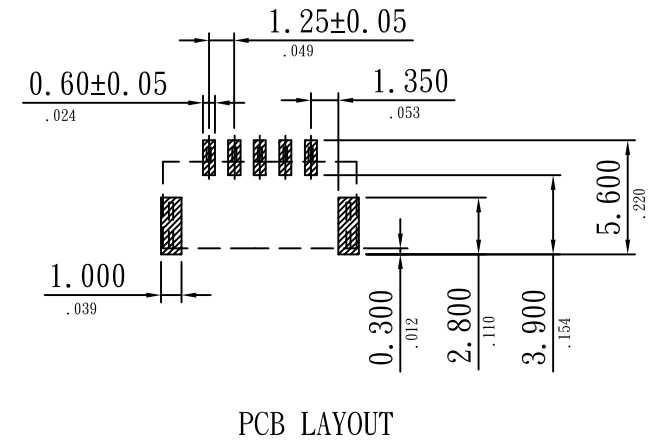
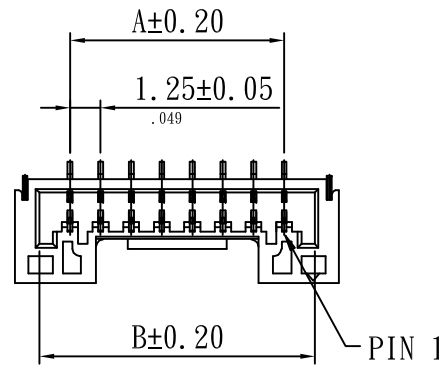
SPECIFICATIONS

Temperature range: -25°C ~ +85°C
 Current rating: 1.0A
 Voltage rating: 50V AC/DC
 Dielectric withstand voltage: 500V AC
 Insulation resistance: 100 MΩ Min.
 Contact resistance: 0.03Ω Max.

Order Information

R 65B01-xx T S-SMT
 1 2 3 4 5 6

1. RoHS
2. Series No.
3. Pin No.
4. Tin plated
5. Straight angle
6. SMT Type



Circuits	Dim. A	Dim. B	Dim. C	Circuits	Dim. A	Dim. B	Dim. C
2	1.25(0.049)	3.75(0.148)	5.75(0.226)	9	10.00(0.394)	12.50(0.492)	14.50(0.571)
3	2.50(0.098)	5.00(0.197)	7.00(0.276)	10	11.25(0.443)	13.75(0.541)	15.75(0.620)
4	3.75(0.148)	6.25(0.246)	8.25(0.325)	11	12.50(0.492)	15.00(0.591)	17.00(0.669)
5	5.00(0.197)	7.50(0.295)	9.50(0.374)	12	13.75(0.541)	16.25(0.640)	18.25(0.719)
6	6.25(0.246)	8.75(0.344)	10.75(0.423)	13	15.00(0.591)	17.50(0.689)	19.50(0.768)
7	7.50(0.295)	10.00(0.394)	12.00(0.472)	14	16.25(0.640)	18.75(0.738)	20.75(0.817)
8	8.75(0.344)	11.25(0.443)	13.25(0.522)	15	17.50(0.689)	20.00(0.787)	22.00(0.866)



Sunny Young Enterprise Co., Ltd.

S. Y. E. <http://www.sunnyyoung.com.tw>

13F., No. 116, Sec. 1, Xintai 5th Rd., Xizhi Dist., New Taipei City 221, Taiwan

Tel:+886 2 2696 1668(REP) Fax:+886 2 2696 2668

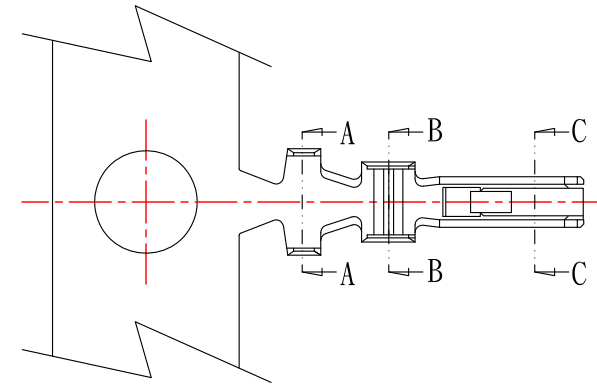
T013	NAME	DATE	SCALE: NTS	REV NO	DATE	DESCRIPTION	BY	CHECKED	TOLERANCE UNLESS NOTED	
DRAWN	RALF	2019.03.27	UNIT: mm(in.)	A					LINEAR±	.0 ±0.30(.012)
CHECKED	EASON	2019.03.27	CAD NO	B						.00 ±0.20(.008)
APPROVED	APPLE	2019.03.27	R65B01-xxTS-SMT	C						.000±0.10(.004)
									PROJECTION:	

PART NO R65B01-xxTS-SMT

1.25mm(.050") TERMINAL

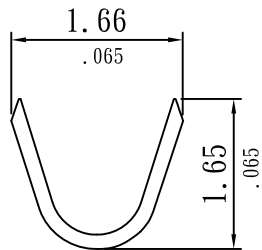
SPECIFICATIONS

Material : Phosphor bronze
 Thickness : 0.12mm
 Plating : Tin Plated
 Applicable wire : AWG 32 ~ AWG 28
 Insulation O.D. : 0.80mm Max.

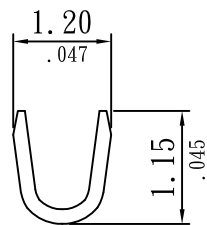


R 65B03-P T
 1 2 3 4

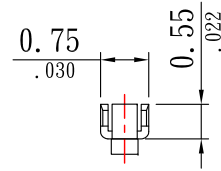
1. RoHS
2. Series No.
3. Phosphor bronze
4. Tin Plated



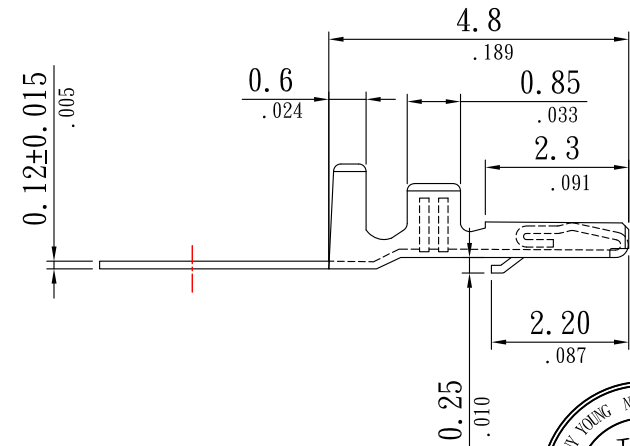
SECTION A-A



SECTION B-B



SECTION C-C



Sunny Young Enterprise Co., Ltd.

S. Y. E. <http://www.sunnyyoung.com.tw>

13F., No. 116, Sec. 1, Xintai 5th Rd., Xizhi Dist., New Taipei City 221, Taiwan

Tel: +886 2 2696 1668(REP) Fax: +886 2 2696 2668

T013	NAME	DATE	SCALE: 1:8	REV NO	DATE	DESCRIPTION	BY	CHECKED	TOLERANCE UNLESS NOTED	
DRAWN	HYS	2016.06.03	UNIT: mm(in.)	A					LINEAR±	.0 ±0.25(.010)
CHECKED	SEAN	2016.06.03	CAD NO	B						.00 ±0.15(.006)
APPROVED	ANDY	2016.06.04	R65B03-PT	C						.000 ±0.08(.003)

PART NO

R65B03-PT

PROJECTION: