

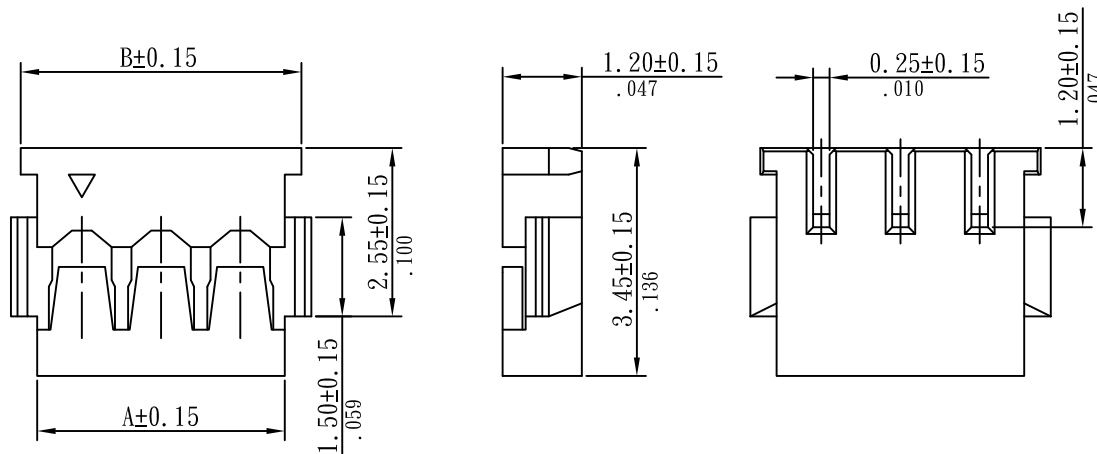
1. 2mm(.047") HOUSING

MATERIAL

Insulator: Nylon 66 UL 94V-0
Color: Black

SPECIFICATIONS

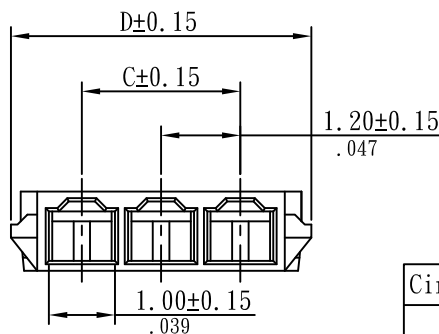
Temperature range: -25°C ~ +85°C
Current rating: 2.0A AC/DC
Dielectric withstand voltage: 500V AC/Min.
Insulation resistance: 100 MΩ Min.
Contact resistance: 0.01Ω Max.



Order Information

R 6570-xxP-A
1 2 3 4

1. RoHS
2. Series No.
3. Pin No.
4. Color: A=Black



Circuits	Dim. A	Dim. B	Dim. C	Dim. D
02	2.55(0.100)	3.05(0.120)	1.20(0.047)	3.35(0.132)
03	3.75(0.185)	4.25(0.167)	2.40(0.150)	4.55(0.094)
04	4.95(0.195)	5.45(0.215)	3.60(0.094)	5.75(0.179)
05	6.15(0.242)	6.65(0.262)	4.80(0.189)	6.95(0.273)
06	7.35(0.289)	7.85(0.309)	6.00(0.236)	8.15(0.321)



Sunny Young Enterprise Co., Ltd.

S. Y. E. <http://www.sunnyyoung.com.tw>

13F., No. 116, Sec. 1, Xintai 5th Rd., Xizhi Dist., New Taipei City 221, Taiwan

Tel: +886 2 2696 1668(REP) Fax: +886 2 2696 2668

PART NO

R6570-xxP-A

S003	NAME	DATE	SCALE: 1:9	REV NO	DATE	DESCRIPTION	BY	CHECKED	TOLERANCE UNLESS NOTED	
DRAWN	STEVEN	2013. 12. 02	UNIT: mm(in.)	A					LINEAR±	.0 ±0.30(.012)
CHECKED	SEAN	2013. 12. 03	CAD NO	B				.00 ±0.20(.008)		
APPROVED	TINA	2013. 12. 06	R6570-XXP-A	C				.000±0.10(.004)		
										PROJECTION:

1.2mm(.047") WAFER 90° SMT TYPE

MATERIAL

Insulator: Thermoplastic UL 94V-0
 Color: Black
 Contact: Copper alloy t=0.20mm
 Contact plating: Gold plated
 Tab: Copper alloy t=0.25mm
 Tab plating: Nickel plated

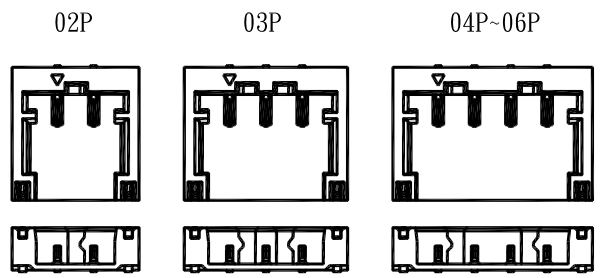
SPECIFICATIONS

Temperature range: -55°C ~ +85°C
 Current rating: 2.0A AC/DC , AWG 28 ~ AWG 30
 Voltage rating: 50V AC/DC
 Dielectric withstand voltage: 500V AC
 Insulation resistance: 100 MΩ Min.
 Contact resistance: 0.01 Ω Max.

Order Information

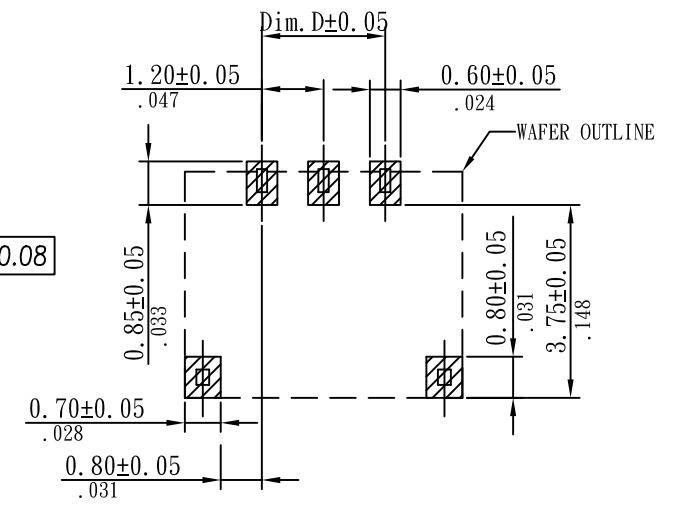
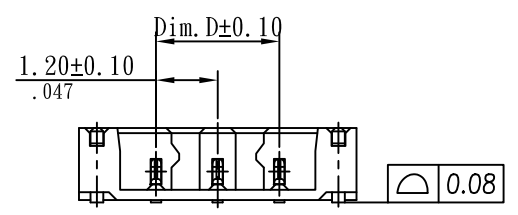
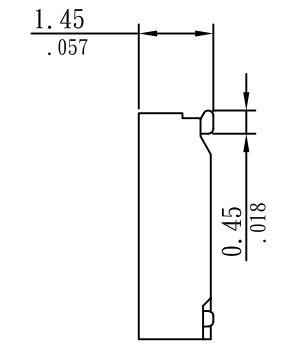
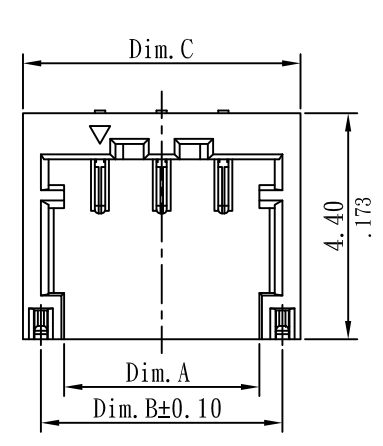
R 6575-xx G R-A-x
 1 2 3 4 5 6 7

1. RoHS
2. Series No.
3. Pin No.
4. Gold plated
5. Right angle
6. Color:A=Black
7. Packing:
 Blank=Tube
 R=T&R



Dimensional Information

Circuits	Dim. A		Dim. B		Dim. C		Dim. D	
	mm	in	mm	in	mm	in	mm	in
2	2.60	0.102	3.50	0.138	4.20	0.165	1.20	0.047
3	3.80	0.150	4.70	0.185	5.40	0.213	2.40	0.094
4	5.00	0.197	5.90	0.232	6.60	0.260	3.60	0.142
5	6.20	0.244	7.10	0.280	7.80	0.307	4.80	0.189
6	7.40	0.291	8.30	0.327	9.00	0.354	6.00	0.236

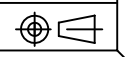


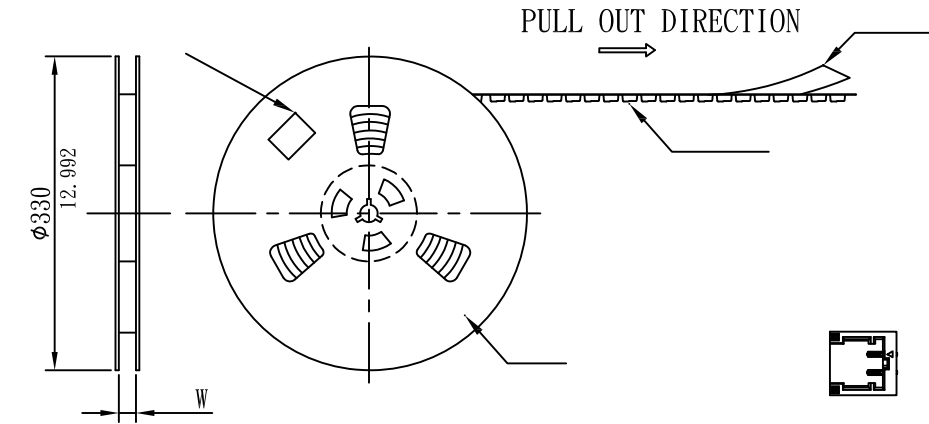
PCB LAYOUT

Sunny Young Enterprise Co., Ltd.
 S. Y. E. <http://www.sunnyyoung.com.tw>
 13F., No. 116, Sec. 1, Xintai 5th Rd., Xizhi Dist., New Taipei City 221, Taiwan
 Tel:+886 2 2696 1668(REP) Fax:+886 2 2696 2668

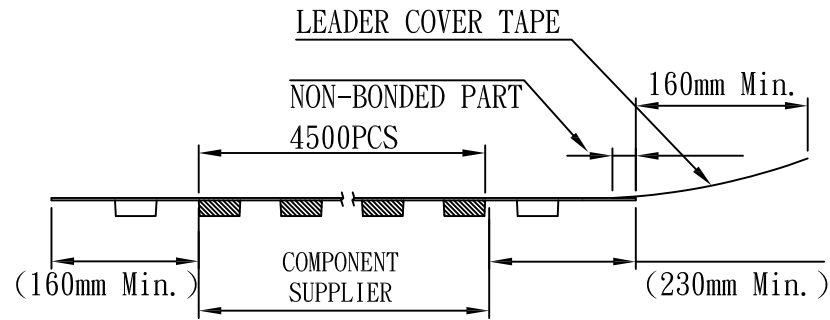
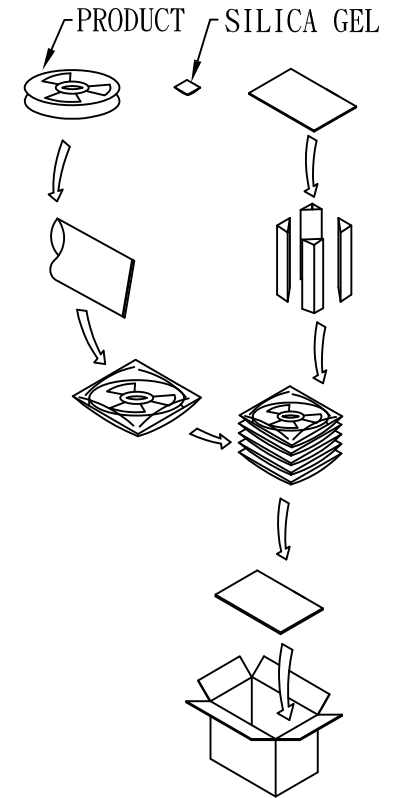
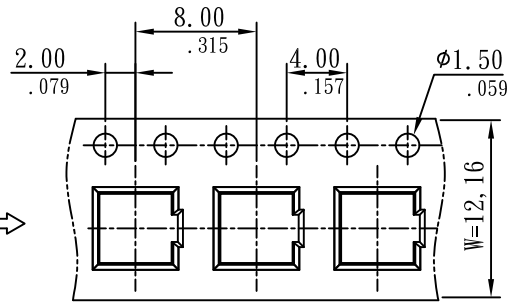
S003	NAME	DATE	SCALE: NTS	REV NO	DATE	DESCRIPTION	BY	CHECKED	TOLERANCE UNLESS NOTED	
DRAWN	STEVEN	2013. 12. 02	UNIT: mm(in.)	A					LINEAR±	.0 ±0.35(.014)
CHECKED	SEAN	2013. 12. 03	CAD NO	B						.00 ±0.25(.010)
APPROVED	TINA	2013. 12. 06	R6575-xxGR-A-x	C						.000±0.15(.006)

PART NO R6575-xxGR-A-x





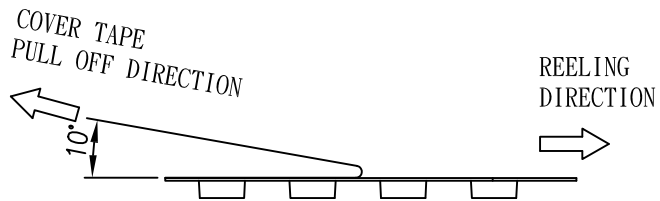
CARRIER FOR 2~6P



NOTES:
MATERIAL:PS

Dimensional Information

Circuits	W ± 0.30		PCS/REEL
	mm	in	
2	12.00	0.472	4500
3~6	16.00	0.630	



Sunny Young Enterprise Co., Ltd.

S. Y. E. <http://www.sunnyyoung.com.tw>

13F., No. 116, Sec. 1, Xintai 5th Rd., Xizhi Dist., New Taipei City 221, Taiwan

Tel: +886 2 2696 1668(REP) Fax: +886 2 2696 2668

PART NO

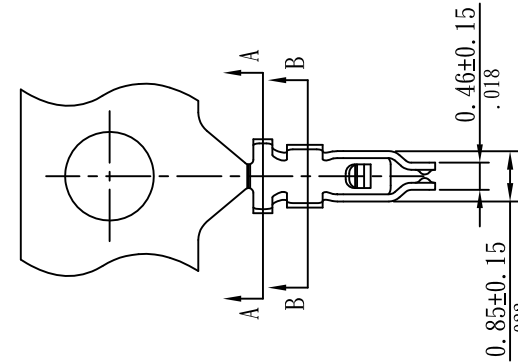
R6575-xxGR-A-x

S003	NAME	DATE	SCALE: NTS	REV NO	DATE	DESCRIPTION	BY	CHECKED	TOLERANCE UNLESS NOTED	
DRAWN	STEVEN	2013. 12. 02	UNIT: mm(in.)	A					LINEAR \pm	.0 $\pm 0.35(.014)$
CHECKED	SEAN	2013. 12. 03	CAD NO	B						.00 $\pm 0.25(.010)$
APPROVED	TINA	2013. 12. 06	R6575-xxGR-A-x	C						.000 $\pm 0.15(.006)$
									PROJECTION:	

1. 2mm(.047") TERMINAL

SPECIFICATIONS

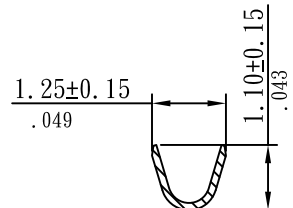
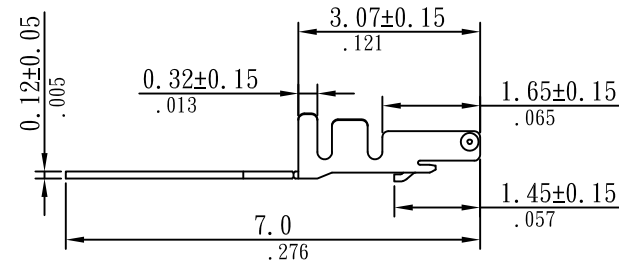
Material : Phosphor bronze
 Thickness : 0.12mm
 Plating : Gold plated
 Applicable wire : AWG 28 ~ AWG 30



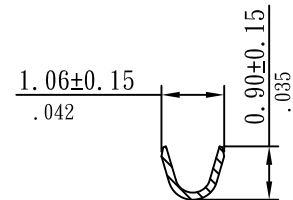
Order Information

R 6573-P G
 1 2 3 4

1. RoHS
2. Series
3. Phosphor bronze
4. Gold plated



SECTION A-A



SECTION B-B

S.Y.E. Sunny Young Enterprise Co., Ltd.
 S. Y. E. <http://www.sunnyyoung.com.tw>
 13F., No. 116, Sec. 1, Xintai 5th Rd., Xizhi Dist., New Taipei City 221, Taiwan
 Tel: +886 2 2696 1668(REP) Fax: +886 2 2696 2668

S003	NAME	DATE	SCALE: 1:8	REV NO	DATE	DESCRIPTION	BY	CHECKED	TOLERANCE UNLESS NOTED	
DRAWN	STEVEN	2013. 12. 09	UNIT: mm(in.)	A					LINEAR±	.0 ±0.30(.012)
CHECKED	SEAN	2013. 12. 09	CAD NO	B				.00 ±0.20(.008)		
APPROVED	TINA	2013. 12. 19	R6573-PG	C				.000±0.10(.004)		
PART NO		R6573-PG						PROJECTION:		