

1.25mm(.049") HOUSING

MATERIAL

Insulator: PA66 UL 94V-0

SPECIFICATIONS

Temperature range: -25°C ~ +85°C
 Current rating: 1.0A AC/DC
 Voltage rating: 125V AC/DC
 Dielectric withstand voltage: 500V AC
 Insulation resistance: 100 MΩ Min.
 Mates with S.Y.E. R6563-PG-1 Terminal

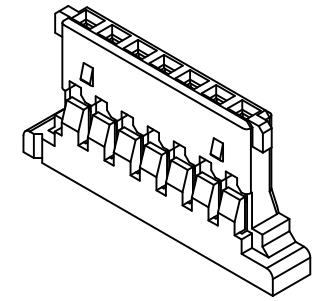
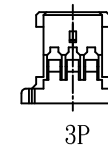
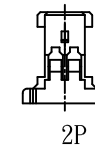
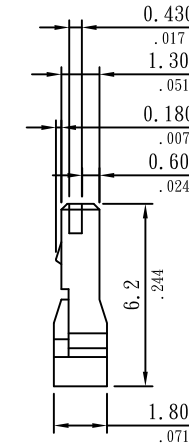
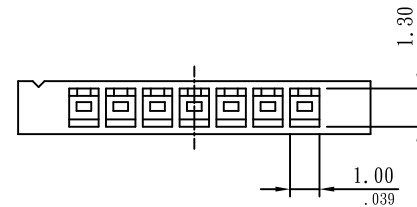
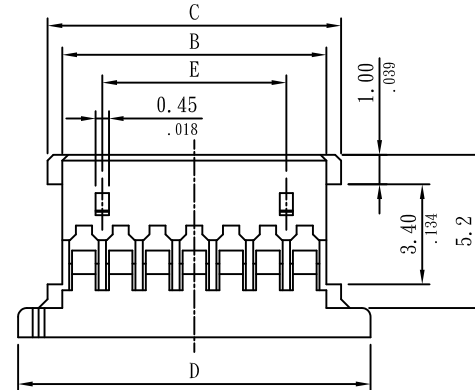
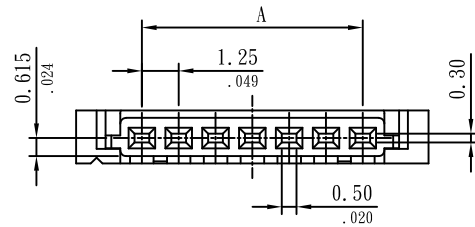
Order Information

R 6560-xxP
 1 2 3

1. RoHS No.
2. Series
3. Pin No.

Dimensional Information

Circuits	Dim. A	Dim. B	Dim. C	Dim. D	Dim. E	Circuits	Dim. A	Dim. B	Dim. C	Dim. D	Dim. E
2	1.25(0.049)	2.72(0.107)	3.72(0.146)	5.72(0.225)		10	11.25(0.443)	12.72(0.501)	13.72(0.540)	15.72(0.619)	10.00(0.394)
3	2.50(0.098)	3.97(0.156)	4.97(0.196)	6.97(0.274)		12	13.75(0.541)	15.22(0.599)	16.22(0.639)	18.22(0.717)	12.50(0.492)
4	3.75(0.148)	5.22(0.206)	6.22(0.245)	8.22(0.324)	2.50(0.098)	14	16.25(0.640)	17.72(0.698)	18.72(0.737)	20.72(0.816)	15.00(0.591)
5	5.00(0.197)	6.47(0.255)	7.47(0.294)	9.47(0.373)	3.75(0.148)	15	17.50(0.689)	18.97(0.747)	19.97(0.786)	21.97(0.865)	16.25(0.640)
6	6.25(0.246)	7.72(0.304)	8.72(0.343)	10.72(0.422)	5.00(0.197)	20	23.75(0.935)	25.22(0.993)	26.22(1.032)	28.22(1.111)	22.25(0.886)
7	7.50(0.295)	8.97(0.353)	9.97(0.393)	11.97(0.471)	6.25(0.246)	22	26.25(1.033)	27.72(1.091)	28.72(1.131)	30.72(1.209)	25.00(0.984)
8	8.75(0.344)	10.22(0.402)	11.22(0.442)	13.22(0.520)	7.50(0.295)	26	31.25(1.230)	32.72(1.288)	33.72(1.328)	35.72(1.406)	30.00(1.181)
9	10.00(0.394)	11.47(0.452)	12.47(0.491)	14.47(0.570)	8.75(0.344)	30	36.25(1.427)	37.72(1.485)	38.72(1.524)	40.72(1.603)	35.00(1.378)



Sunny Young Enterprise Co., Ltd.

S. Y. E. <http://www.sunnyyoung.com.tw>

13F., No. 116, Sec. 1, Xintai 5th Rd., Xizhi Dist., New Taipei City 221, Taiwan

Tel: +886 2 2696 1668(REP) Fax: +886 2 2696 2668

T010	NAME	DATE	SCALE: 4:1	REV NO	DATE	DESCRIPTION	BY	CHECKED	TOLERANCE UNLESS NOTED	
DRAWN	DEAN	2019.01.17	UNIT: mm(in.)	A					LINEAR±	.0 ±0.30(.012)
CHECKED	EASON	2019.01.17	CAD NO	B						.00 ±0.15(.006)
APPROVED	APPLE	2019.01.17	R6560-xxP-1	C						.000±0.08(.003)

PART NO R6560-xxP

PROJECTION:

1.25mm(.049") WAFER 90° SMT TYPE

MATERIAL

Insulator: Nylon 6T UL 94V-0
 Color: Natural (Beige)
 Contact: Brass
 Plating: Gold plated
 Solder Tabs: Brass, Gold plated

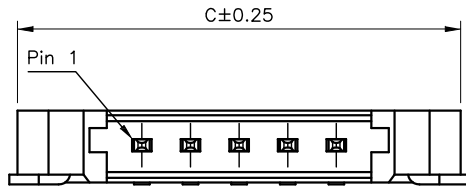
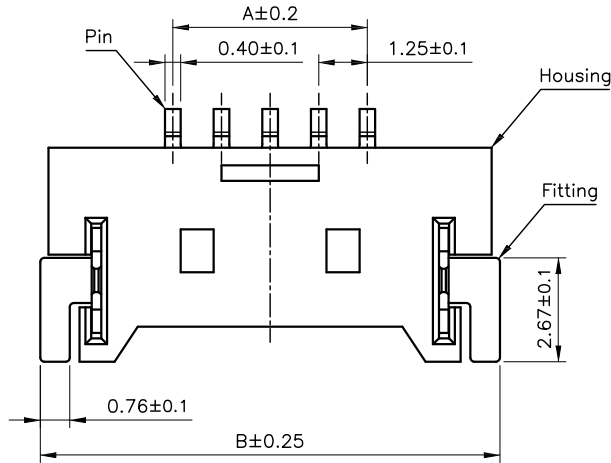
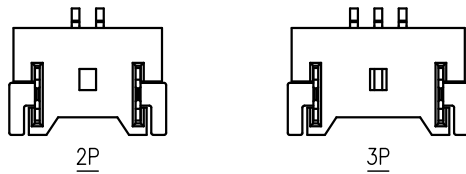
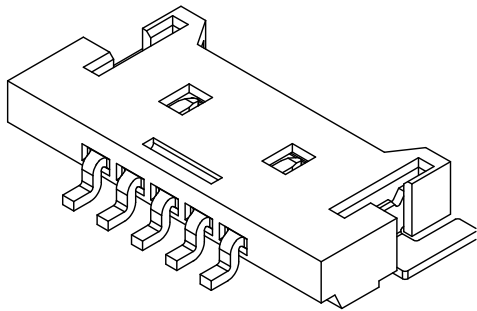
SPECIFICATIONS

Temperature range: -25°C ~ +85°C
 Current rating: 1.0A AC/DC
 Voltage rating: 125V AC/DC
 Dielectric withstand voltage: 500V AC
 Insulation resistance: 100 MΩ Min.
 Contact resistance: 0.02 Ω Max.

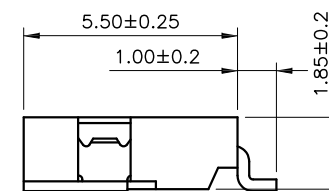
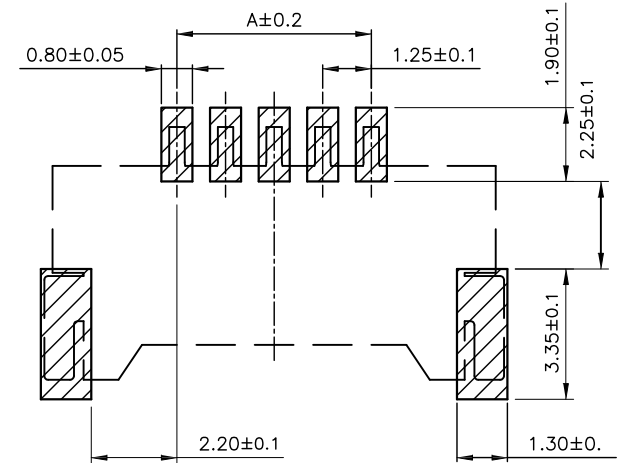
Order Information

R 6561-xx G R-SMT-R
 1 2 3 4 5 6 7

1. RoHS
2. Series No.
3. Pin No.
4. Gold plated
5. Right angle
6. SMT type
7. Reel



CIRCUITS	DIMENSION		
	A	B	C
2	1.25	8.07	7.65
3	2.50	9.32	8.90
4	3.75	10.57	10.15
5	5.00	11.82	11.40
6	6.25	13.07	12.65
7	7.50	14.32	13.90
8	8.75	15.57	15.15
9	10.00	16.82	16.40
10	11.25	18.07	17.65
12	13.75	20.57	20.15
14	16.25	23.07	22.65
15	17.50	24.32	23.90
20	23.75	30.57	30.15



Sunny Young Enterprise Co., Ltd.
 S. Y. E. <http://www.sunnyyoung.com.tw>
 13F., No. 116, Sec. 1, Xintai 5th Rd., Xizhi Dist., New Taipei City 221, Taiwan
 Tel: +886 2 2696 1668(REP) Fax: +886 2 2696 2668

T010	NAME	DATE	SCALE: NTS	REV NO	DATE	DESCRIPTION	BY	CHECKED	TOLERANCE UNLESS NOTED	
DRAWN	SEAN	2015.06.23	UNIT: mm(in.)	A					LINEAR±	.0 ±0.30(.012)
CHECKED	IVY	2015.06.23	CAD NO	B				.00 ±0.15(.006)		
								.000±0.08(.003)		
PART NO	R6561-xxGR-SMT-R	APPROVED	SELINA	2015.06.23	R6561-xxGR-SMT-R	C				PROJECTION:

1.25mm(.049") TERMINAL

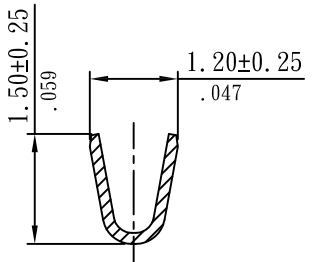
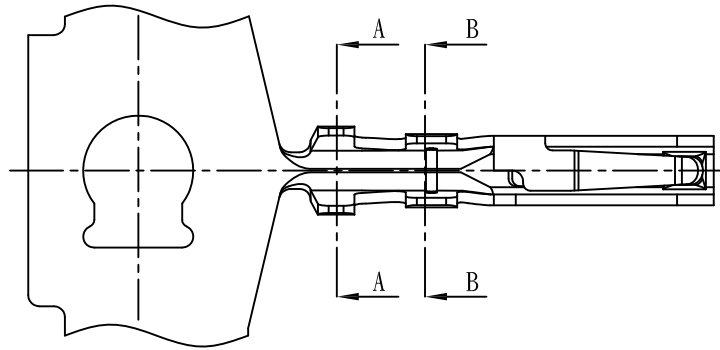
SPECIFICATIONS

Material : Phosphor bronze
 Thickness : 0.15mm
 Plating : Gold plated
 Applicable wire : AWG32 ~ AWG28
 Insulation O.D. : 0.9mm Max.

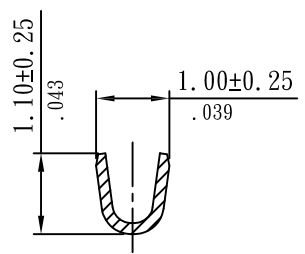
Order Information

R 6563-P G
 1 2 3 4

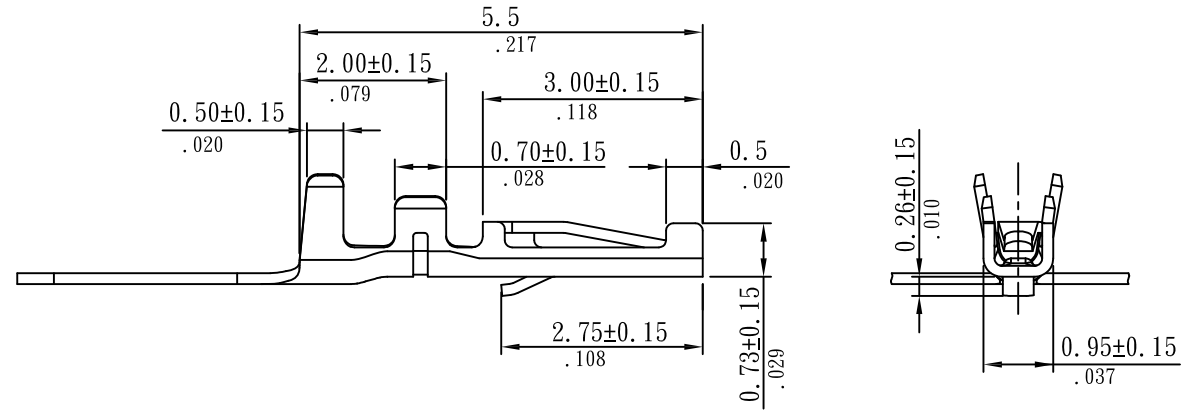
1. RoHS
2. Series No.
3. Phosphor bronze
4. Gold plated



SECTION A-A



SECTION B-B



S.Y.E. Sunny Young Enterprise Co., Ltd.
 S. Y. E. <http://www.sunnyyoung.com.tw>
 13F., No. 116, Sec. 1, Xintai 5th Rd., Xizhi Dist., New Taipei City 221, Taiwan
 Tel: +886 2 2696 1668(REP) Fax: +886 2 2696 2668

T010	NAME	DATE	SCALE: 1:10	REV NO	DATE	DESCRIPTION	BY	CHECKED	TOLERANCE UNLESS NOTED	
DRAWN	CSH	2015. 05. 19	UNIT: mm(in.)	A					LINEAR±	.0 ±0.30(.012)
CHECKED	SONIA	2015. 05. 19	CAD NO	B				.00 ±0.20(.008)		
APPROVED	TINA	2015. 05. 19	R6563-PG	C				.000±0.10(.004)		
PART NO		R6563-PG								PROJECTION: