

# 1. 25mm(.049" ) HOUSING

## MATERIAL

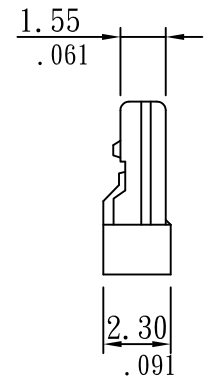
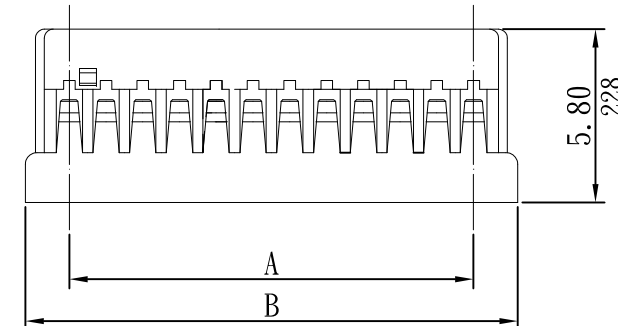
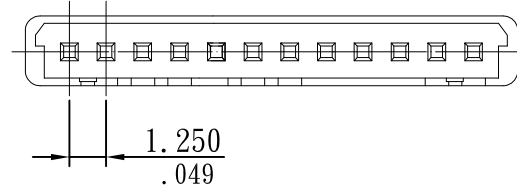
Insulator: Nylon 66 UL94V-0  
 Color: Beige

## SPECIFICATIONS

Temperature range: -25°C ~ +85°C  
 Current rating: 1.0A  
 Voltage rating: 150V AC  
 Dielectric withstand voltage: 500V AC  
 Insulation resistance: 500 MΩ min.  
 Contact resistance: 0.03Ω max.  
 Mates with S.Y.E. R6543 Terminal  
 Mates with S.Y.E. R6541 Wafer(Headers)

R 6540-xxP  
 1 2 3

1. RoHS
2. Series No.
3. Pin No.



## Dimensional Information

Circuits	Dim. A	Dim. B	Circuits	Dim. A	Dim. B
2	1.25(0.049)	4.45(0.175)	9	10.00(0.394)	13.20(0.520)
3	2.50(0.098)	5.70(0.224)	10	11.25(0.443)	14.45(0.569)
4	3.75(0.148)	6.95(0.274)	15	17.50(0.689)	20.70(0.815)
5	5.00(0.197)	8.20(0.323)	20	23.75(0.935)	26.95(1.061)
6	6.25(0.246)	9.45(0.372)	25	30.00(1.181)	33.20(1.307)
7	7.50(0.295)	10.70(0.421)	30	36.25(1.427)	39.45(1.553)
8	8.75(0.344)	11.95(0.470)			



Sunny Young Enterprise Co., Ltd.  
 S. Y. E. <http://www.sunnyyoung.com.tw>  
 13F., No. 116, Sec. 1, Xintai 5th Rd., Xizhi Dist., New Taipei City 221, Taiwan  
 Tel: +886 2 2696 1668(REP) Fax: +886 2 2696 2668

T010	NAME	DATE	SCALE: NTS	REV NO	DATE	DESCRIPTION	BY	CHECKED	TOLERANCE UNLESS NOTED		
DRAWN	PC	2008.10.21	UNIT: mm(in.)	A					LINEAR±	.0 ±0.30(.012)	
CHECKED	PIQI	2008.10.21	CAD NO	B				.00 ±0.20(.008)			
APPROVED	MARS	2008.10.21	R6540-xxP	C				.000±0.10(.004)			
PART NO										R6540-xxP	PROJECTION:

# 1.25mm(.049") WAFER 90° SMT TYPE

## MATERIAL

Insulator: Nylon 66 UL 94V-0  
 Color: Natural  
 Contact: Brass  
 Plating: Tin plated

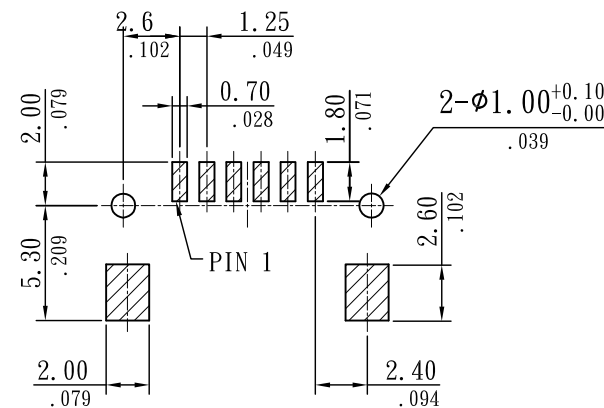
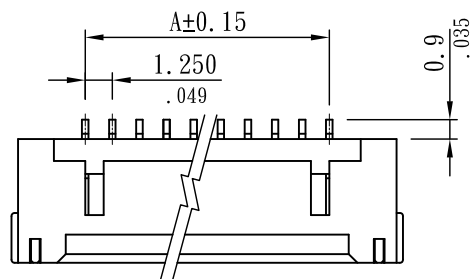
## SPECIFICATIONS

Temperature range: -25°C ~ +85°C  
 Current rating: 1.0A  
 Voltage rating: 100V AC  
 Dielectric withstand voltage: 500V AC/minute  
 Insulation resistance: 500MΩ Min.  
 Contact resistance: 0.03Ω Max.  $\triangle A$   
 Mates with S.Y.E R6540-xxP Housing

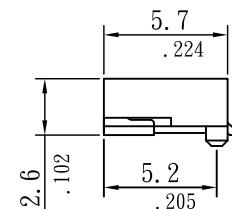
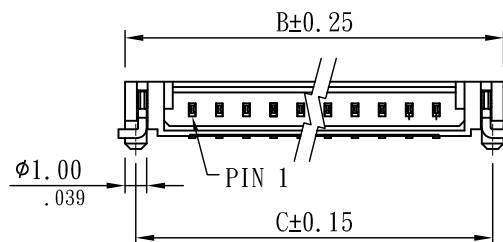
## Order Information

R 6541-xx T R-SMT-Y-R  $\triangle A \triangle B$   
 1 2 3 4 5 6 7 8

1. RoHS
2. Series No.
3. Pin No.
4. Tin plated
5. Right angle
6. SMT type
7. With peg
8. Reel  $\triangle B$



PCB LAYOUT



## Dimensional Information

Circuits	DIM. A		DIM. B		DIM. C	
	mm	in	mm	in	mm	in
20	23.75	0.935	29.95	1.179	28.95	1.140
25	30.00	1.181	36.20	1.425	35.20	1.386
30	36.25	1.427	42.45	1.671	41.45	1.632

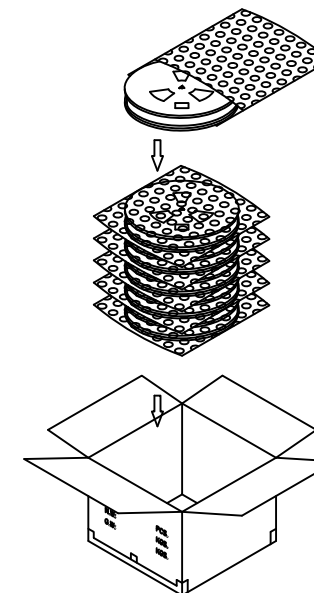
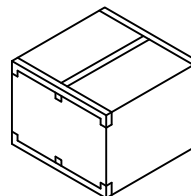
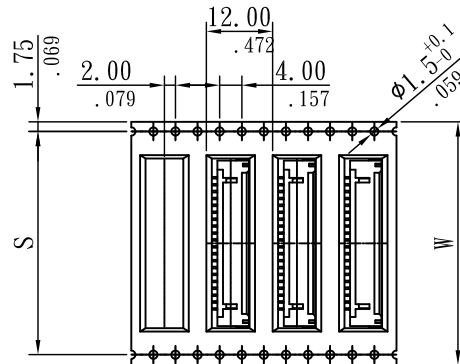
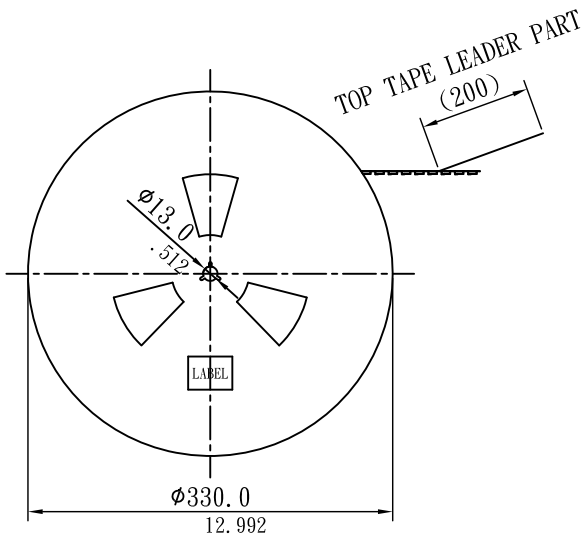
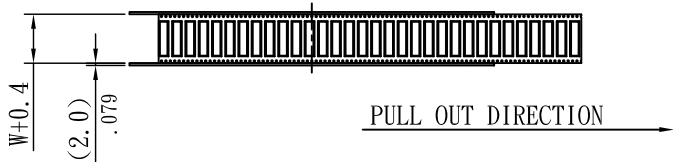
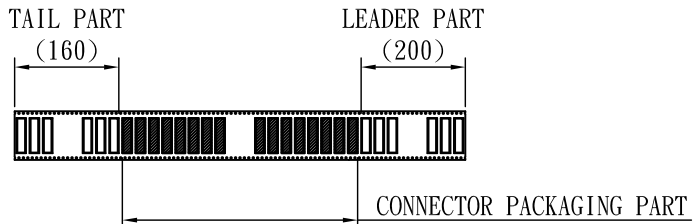


**Sunny Young Enterprise Co., Ltd.**  
 S.Y.E. <http://www.sunnyyoung.com.tw>  
 13F., No. 116, Sec. 1, Xintai 5th Rd., Xizhi Dist., New Taipei City 221, Taiwan  
 Tel:+886 2 2696 1668(REP) Fax:+886 2 2696 2668

T010	NAME	DATE	SCALE: NTS	REV NO	DATE	DESCRIPTION	BY	CHECKED	TOLERANCE UNLESS NOTED	
DRAWN	PC	2012. 11. 19	UNIT: mm(in.)	A	2023. 08. 08	CHANGE PART NO. R6541-xxTR-SMT-Y	RALF	JUDY	LINEAR±	.0 ±0.30(.012)
CHECKED			CAD NO	B	2023. 11. 09	CHANGE PART NO. R6541-xxTR-SMT-Y-R	NANCY	RALF		.00 ±0.15(.006)
APPROVED	TINA	2012. 11. 19	R6541-xxTR-SMT-Y-R	$\triangle A \triangle B \triangle C$						PROJECTION:

PART NO

R6541-xxTR-SMT-Y-R  $\triangle A \triangle B$



REMARK:  
THE PEEL FORCE OF COVER TAPE SHALL REACH 300-100gf,  
300mm PRE minute.

Dimensional Information

Circuits	DIM. W		DIM. S		PCS/REEL
	mm	in	mm	in	
20	44	1.732	40.4	1.591	1,000
25	56	2.205	52.4	2.063	1,000
30	56	2.205	52.4	2.063	1,000



Sunny Young Enterprise Co., Ltd.

S. Y. E. <http://www.sunnyyoung.com.tw>

13F., No. 116, Sec. 1, Xintai 5th Rd., Xizhi Dist., New Taipei City 221, Taiwan

Tel: +886 2 2696 1668(REP) Fax: +886 2 2696 2668

T010	NAME	DATE	SCALE: NTS	REV NO	DATE	DESCRIPTION	BY	CHECKED	TOLERANCE UNLESS NOTED	
DRAWN	PC	2012. 11. 19	UNIT: mm(in.)	A	2023. 08. 08	CHANGE PART NO. R6541-xxTR-SMT-Y	RALF	JUDY	LINEAR±	.0 ±0.30(.012)
CHECKED			CAD NO	B	2023. 11. 09	CHANGE PART NO. R6541-xxTR-SMT-Y-R	NANCY	RALF		.00 ±0.15(.006)
APPROVED	TINA	2012. 11. 19	R6541-xxTR-SMT-Y-R	A	B					.000±0.08(.003)

PART NO

R6541-xxTR-SMT-Y-R

PROJECTION:

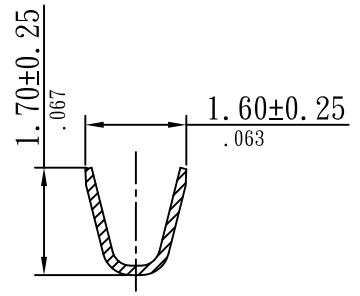
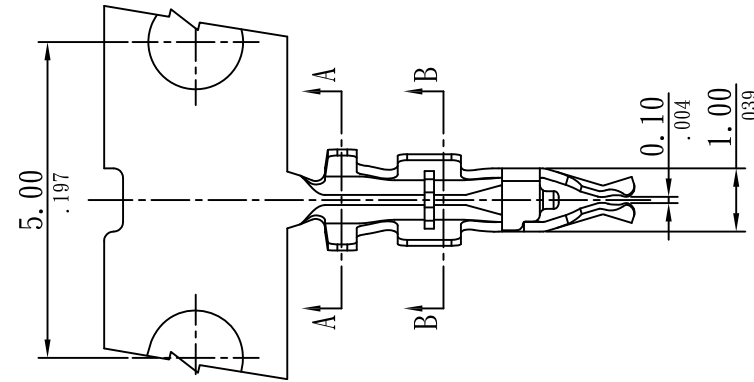
# 1. 25mm(.049") TERMINAL

## SPECIFICATIONS

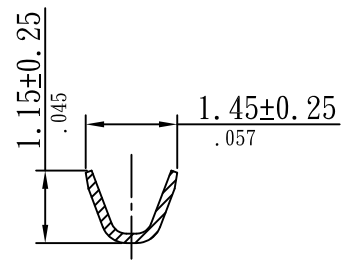
Material: Phosphor bronze  
 Thickness: 0.15mm  
 Plating: Gold plated  
 Applicable wire: AWG 32 ~ AWG 28  
 Insulation O.D. 0.90mm Max.  
 Used in R6540 Housing

R 6543-P G  
 1 2 3 4

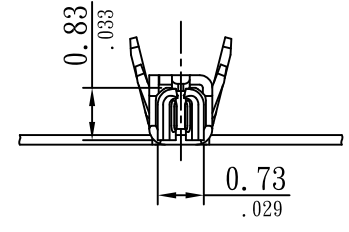
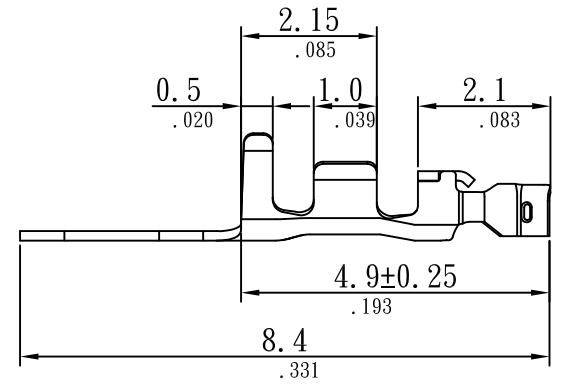
1. RoHS
2. Series No.
3. Phosphor bronze
4. Gold plated



SECTION A-A



SECTION B-B



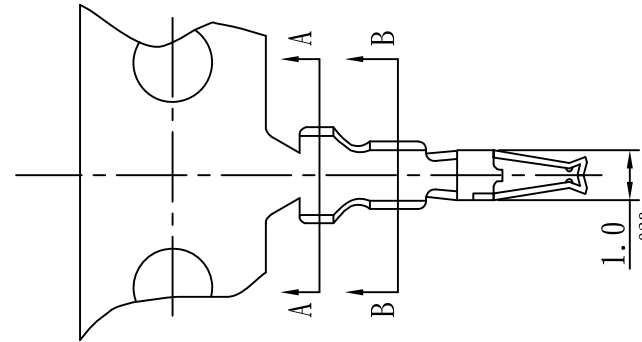
Sunny Young Enterprise Co., Ltd.  
 S. Y. E. <http://www.sunnyyoung.com.tw>  
 13F., No. 116, Sec. 1, Xintai 5th Rd., Xizhi Dist., New Taipei City 221, Taiwan  
 Tel: +886 2 2696 1668(REP) Fax: +886 2 2696 2668

T010	NAME	DATE	SCALE: NTS	REV NO	DATE	DESCRIPTION	BY	CHECKED	TOLERANCE UNLESS NOTED	
DRAWN	RALF	2021. 12. 10	UNIT: mm(in.)	A					LINEAR±	.0 ±0.30(.012)
CHECKED	DEAN	2021. 12. 10	CAD NO	B				.00 ±0.15(.006)		
APPROVED	APPLE	2021. 12. 10	R6543-PG	C				.000±0.08(.003)		
PART NO		R6543-PG						PROJECTION:		

# 1.25mm(.050") TERMINAL

## SPECIFICATIONS

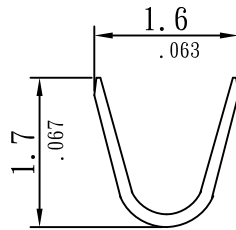
Material : Phosphor bronze  
 Thickness : 0.15mm  
 Plating : Tin plated  
 Applicable wire : AWG 28 ~ AWG 32  
 Insulation O.D. : 0.90mm Max.  
 Used in S.Y.E. R6540-xxP Housing



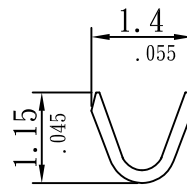
## Order Information

R 6543-P T  
 1 2 3 4

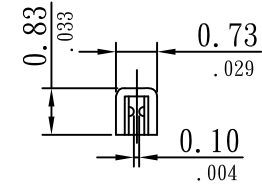
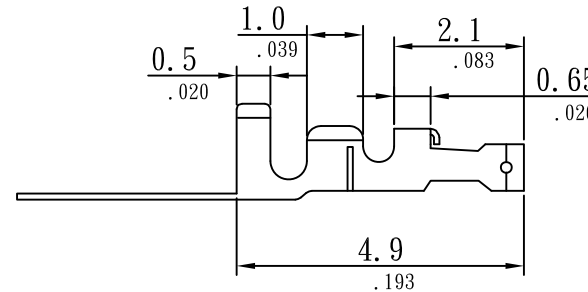
1. RoHS
2. Series No.
3. Phosphor bronze
4. Tin plated



SECTION A-A



SECTION B-B



Sunny Young Enterprise Co., Ltd.

S. Y. E. <http://www.sunnyyoung.com.tw>

13F., No. 116, Sec. 1, Xintai 5th Rd., Xizhi Dist., New Taipei City 221, Taiwan

Tel: +886 2 2696 1668(REP) Fax: +886 2 2696 2668

T010	NAME	DATE	SCALE: NTS	REV NO	DATE	DESCRIPTION	BY	CHECKED	TOLERANCE UNLESS NOTED	
DRAWN	YXF	2008. 11. 07	UNIT: mm(in.)	A					LINEAR±	.0 ±0.30(.012)
CHECKED	PIQI	2008. 11. 07	CAD NO	B				.00 ±0.20(.008)		
APPROVED	MARS	2008. 11. 07	R6543-PT	C				.000±0.10(.004)		
PART NO		R6543-PT						PROJECTION:		