

1.25mm(.049") HOUSING

MATERIAL

Insulator: Nylon 66 UL 94V-0
Color: Black

SPECIFICATIONS

Temperature range: -25°C ~ +85°C
Current rating: 1.0A
Voltage rating: 200V AC
Dielectric withstand voltage: 500V AC
Insulation resistance: 100 MΩ Min.
Mates with S.Y.E. R6523 Terminal

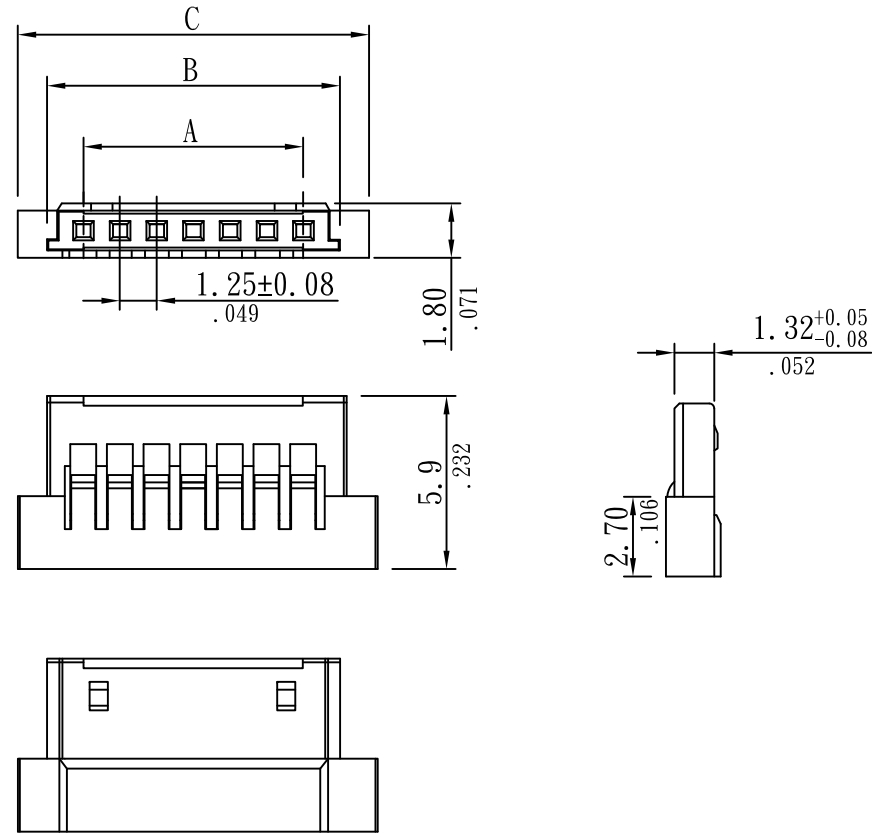
Order Information

R 6520-xxP S
1 2 3 4

1. RoHS
2. Series
3. PIN No.
4. Single Rows

Dimensional Information

Circuits	Dim. A	Dim. B	Dim. C
4	3.75(0.148)	6.30(0.248)	8.50(0.335)
5	5.00(0.197)	7.55(0.297)	9.75(0.384)
6	6.25(0.246)	8.80(0.346)	11.00(0.433)
8	8.75(0.344)	11.30(0.445)	13.50(0.531)
10	11.25(0.443)	13.80(0.543)	16.00(0.630)
20	23.75(0.935)	26.30(1.035)	28.50(1.122)
25	30.00(1.181)	32.55(1.281)	34.75(1.368)



Sunny Young Enterprise Co., Ltd.

S. Y. E. <http://www.sunnyyoung.com.tw>

13F., No. 116, Sec. 1, Xintai 5th Rd., Xizhi Dist., New Taipei City 221, Taiwan

Tel: +886 2 2696 1668(REP) Fax: +886 2 2696 2668

T010	NAME	DATE	SCALE: NTS	REV NO	DATE	DESCRIPTION	BY	CHECKED	TOLERANCE UNLESS NOTED		
DRAWN	PC	2013. 01. 30	UNIT: mm(in.)	A					LINEAR±	.0 ±0.30(.012)	
CHECKED			CAD NO	B						.00 ±0.20(.008)	
APPROVED	TINA	2013. 01. 30	R6520-xxPS	C						.000±0.10(.004)	
PART NO										R6520-xxPS	PROJECTION:

1.25mm(.049") WAFER SMT TYPE

2~3P

4~7P

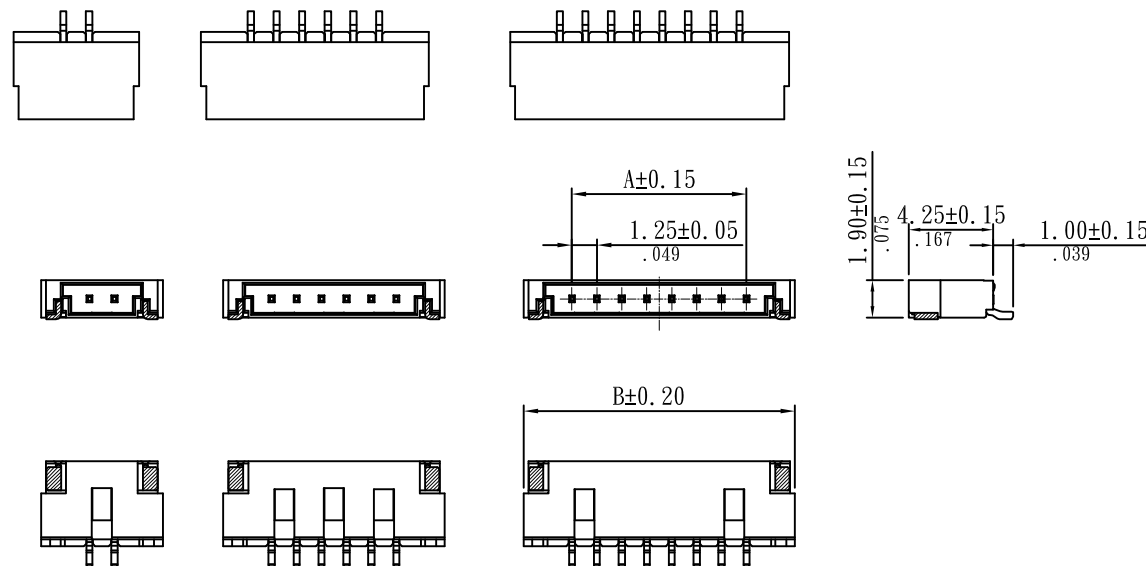
8~30P

MATERIAL:

Insulator: Nylon 9T UL 94V-0
 Contact: Copper alloy
 Plating: Tin plated over Nickel

Specification:

Temperature range: -25°C ~ +85°C
 Current rating: 1.0 AC/DC
 Voltage rating: 50V AC/DC
 Withstanding voltage: 500V AC
 Insulation resistance: 100MΩ Min.
 Contact resistance: 0.02Ω Max.



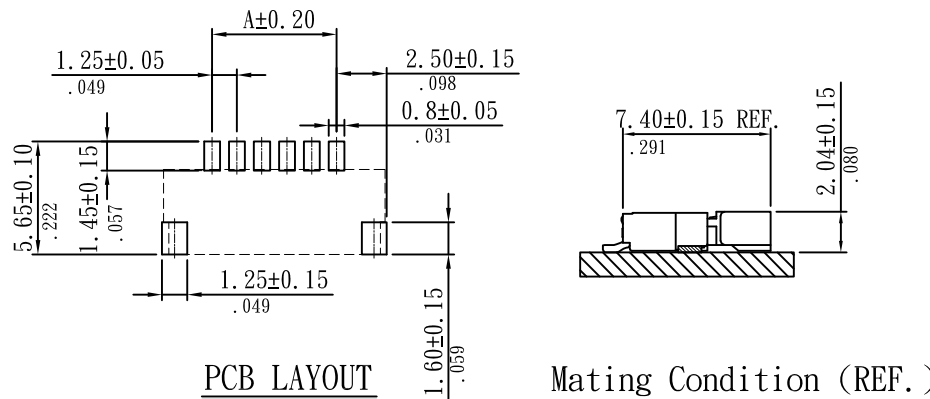
Dimensional Information

Circuit	Dim. A	Dim. B
2	1.25(0.049)	6.10(0.240)
3	2.50(0.098)	7.35(0.289)
4	3.75(0.148)	8.60(0.339)
5	5.00(0.197)	9.85(0.388)
6	6.25(0.246)	11.10(0.437)
7	7.50(0.295)	12.35(0.486)
8	8.75(0.344)	13.60(0.535)
9	10.00(0.394)	14.85(0.585)
10	11.25(0.443)	16.25(0.640)
14	16.25(0.640)	16.10(0.634)
15	17.50(0.689)	22.35(0.880)
20	23.75(0.935)	28.60(1.126)
25	30.00(1.181)	34.85(1.372)
30	36.25(1.427)	41.10(1.618)

Order Information

R 6521-xx TR -SMT -R
 1 2 3 4 5 6 7

1. RoHS
2. Series
3. PIN No.
4. Tin plated
5. Right angle
6. SMT type
7. Reel packing



Sunny Young Enterprise Co., Ltd.

S. Y. E. <http://www.sunnyyoung.com.tw>

13F., No. 116, Sec. 1, Xintai 5th Rd., Xizhi Dist., New Taipei City 221, Taiwan

Tel: +886 2 2696 1668(REP) Fax: +886 2 2696 2668

S053	NAME	DATE	SCALE: NTS	REV NO	DATE	DESCRIPTION	BY	CHECKED	TOLERANCE UNLESS NOTED	
DRAWN	SEAN	2013. 03. 15	UNIT: mm(in.)	A					LINEAR±	.0 ±0.30(.012)
CHECKED			CAD NO	B						.00 ±0.20(.008)
APPROVED	TINA	2013. 03. 15	R6521-xxTR-SMT-R	C						.000±0.10(.004)
PART NO	R6521-xxTR-SMT-R								PROJECTION:	

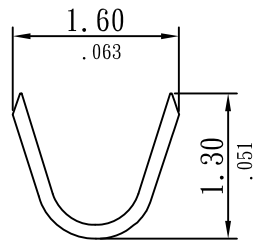
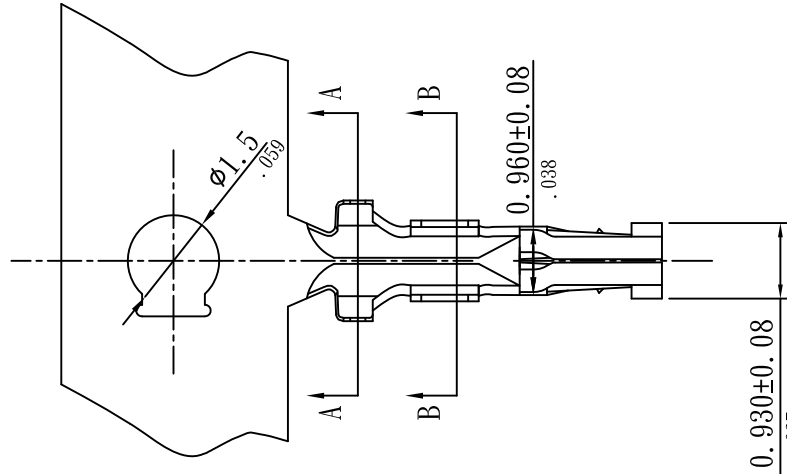
1.25mm(.050") TERMINAL

SPECIFICATIONS

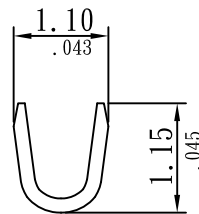
Material : Phosphor bronze
 Thickness : 0.15mm
 Plating : Gold plated 3u"
 Applicable wire : AWG 28 ~ AWG 32
 Insulation O.D. : 1.00mm Max.

R 6523-PG-03G
 1 2 3 4

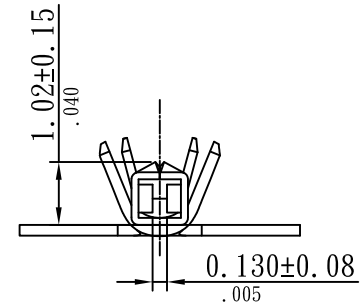
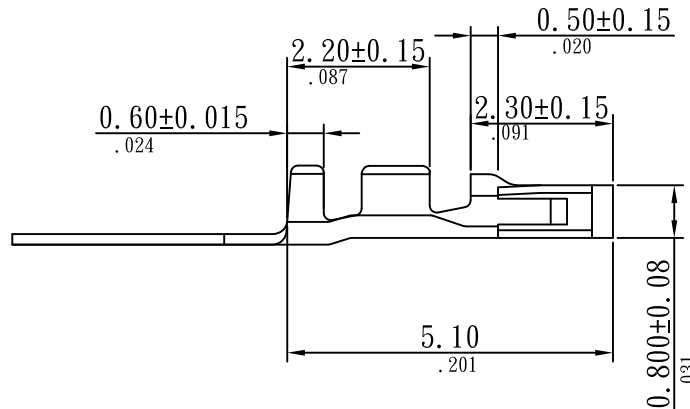
1. RoHS
2. Series No.
3. Phosphor bronze Gold plated
4. Gold plated 3u"



SECTION A-A



SECTION B-B



S.Y.E. Sunny Young Enterprise Co., Ltd.
 S.Y.E. <http://www.sunnyyoung.com.tw>
 13F., No. 116, Sec. 1, Xintai 5th Rd., Xizhi Dist., New Taipei City 221, Taiwan
 Tel: +886 2 2696 1668(REP) Fax: +886 2 2696 2668

T010	NAME	DATE	SCALE: 1:8	REV NO	DATE	DESCRIPTION	BY	CHECKED	TOLERANCE UNLESS NOTED	
DRAWN	XXY	2013. 09. 02	UNIT: mm(in.)	A					LINEAR±	.0 ±0.30(.012)
CHECKED	SEAN	2013. 09. 02	CAD NO	B						.00 ±0.20(.008)
APPROVED	TINA	2013. 09. 02	R6523-PG-03G	C						.000±0.10(.004)
PART NO	R6523-PG-03G								PROJECTION:	