

2.00mm(.079") MINI JUMPER

MATERIAL

Insulator: Nylon 66
 Color: Black
 Contact: Phosphor bronze
 Plating: Gold plated

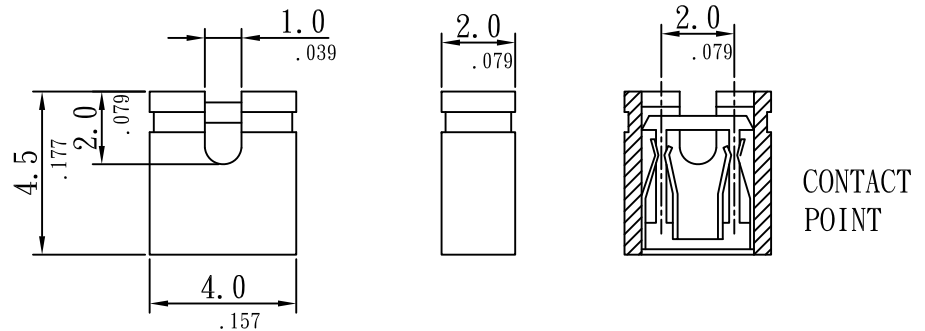
SPECIFICATIONS

Current rating: 3.0A Max.
 Dielectric withstand voltage: 650V AC
 Insulation resistance: 1000 MΩ Max.
 Contact resistance: 0.03Ω Max.

Order Information

R 5700-A
 1 2 3

1. RoHS
2. Series No.
3. Black



CONTACT POINT



Sunny Young Enterprise Co., Ltd.

S. Y. E. <http://www.sunnyyoung.com.tw>

13F., No. 116, Sec. 1, Xintai 5th Rd., Xizhi Dist., New Taipei City 221, Taiwan

Tel: +886 2 2696 1668(REP) Fax: +886 2 2696 2668

PART NO

R5700-A

M146	NAME	DATE	SCALE: NTS	REV NO	DATE	DESCRIPTION	BY	CHECKED	TOLERANCE UNLESS NOTED	
DRAWN	YXF	2008. 11. 25	UNIT: mm(in.)	A					LINEAR±	.0 ±0.30(.012)
CHECKED	PIQI	2008. 11. 25	CAD NO	B				.00 ±0.20(.008)		
APPROVED	MARS	2008. 11. 25	R5700-A	C				.000±0.10(.004)		
										PROJECTION:

2.00mm(.079") MINI JUMPER CLOSE TYPE

MATERIAL

Insulator: Thermoplastic UL94V-0
 Color: Black or blue
 Contact: Phosphor bronze
 Plating: Gold plated

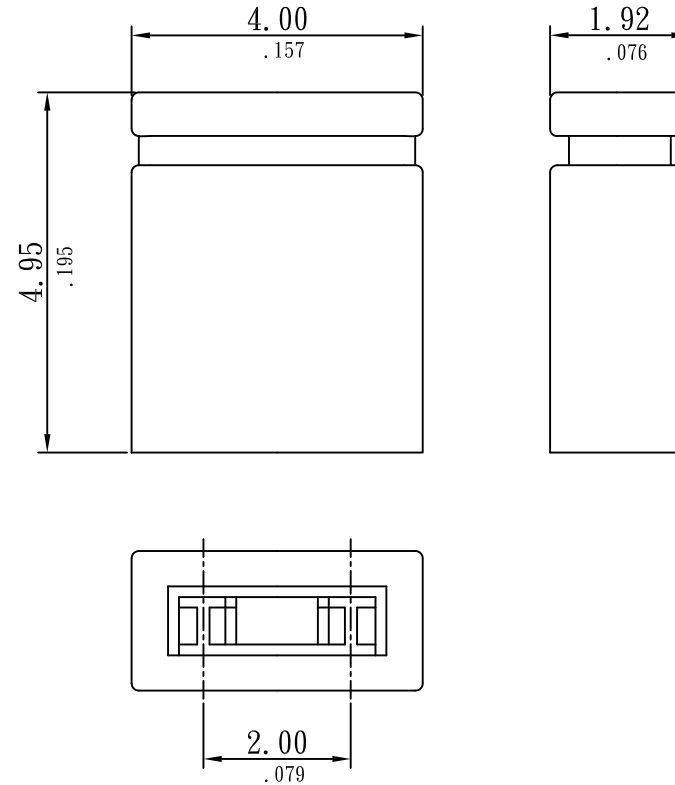
SPECIFICATIONS

Temperature range: -55°C ~ +105°C
 Current rating: 3.0A
 Contact resistance: 0.03Ω Max.

Order Information

R 5701-A
 1 2 3

1. RoHS
2. Series No.
3. Black



Sunny Young Enterprise Co., Ltd.

S. Y. E. <http://www.sunnyyoung.com.tw>

13F., No. 116, Sec. 1, Xintai 5th Rd., Xizhi Dist., New Taipei City 221, Taiwan

Tel: +886 2 2696 1668(REP) Fax: +886 2 2696 2668

PART NO

R5701-A

M065

NAME

DATE

SCALE: NTS

REV NO

DATE

DESCRIPTION

BY

CHECKED

TOLERANCE UNLESS NOTED

DRAWN

YXF

2008. 12. 02

UNIT: mm(in.)

A

CHECKED

PIQI

2008. 12. 02

CAD NO

B

APPROVED

MARS

2008. 12. 02

R5701-A

C

LINEAR±

.0 ±0.30(.012)

.00 ±0.20(.008)

.000±0.10(.004)

PROJECTION:

2.00mm(.079") MINI JUMPER OPEN TYPE

MATERIAL

Insulator: Thermoplastic UL94V-0
 Color: Black
 Contact: Phosphor bronze
 Plating: Gold plated

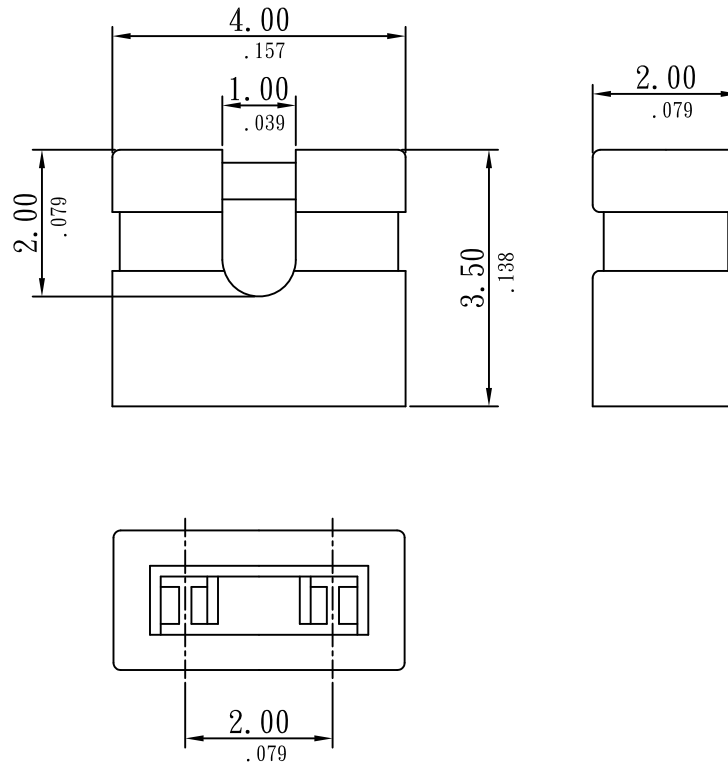
SPECIFICATIONS

Temperature range: -55°C ~ +105°C
 Current rating: 3.0A
 Contact resistance: 0.03Ω Max.

Order Information

R 5702-A
 1 2 3

1. RoHS
2. Series No.
3. A=Black



Sunny Young Enterprise Co., Ltd.

S. Y. E. <http://www.sunnyyoung.com.tw>

13F., No. 116, Sec. 1, Xintai 5th Rd., Xizhi Dist., New Taipei City 221, Taiwan

Tel: +886 2 2696 1668(REP) Fax: +886 2 2696 2668

PART NO	R5702-A	M065	NAME	DATE	SCALE: 1:10	REV NO	DATE	DESCRIPTION	BY	CHECKED	TOLERANCE UNLESS NOTED	
		DRAWN	YXF	2009.02.09	UNIT: mm(in.)	A						LINEAR±
CHECKED	PIQI	2009.02.09	CAD NO	B							.00 ±0.20(.008)	
APPROVED	MARS	2009.02.09	R5702-A	C							.000±0.10(.004)	
											PROJECTION:	

2.00mm(.079") MINI JUMPER OPEN TYPE

MATERIAL

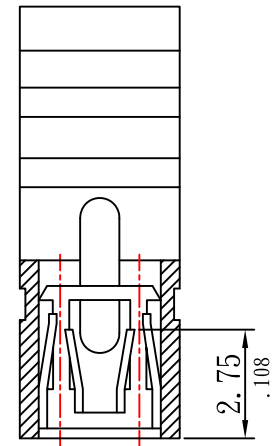
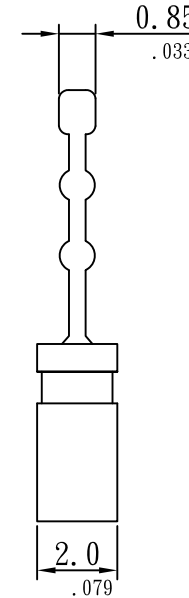
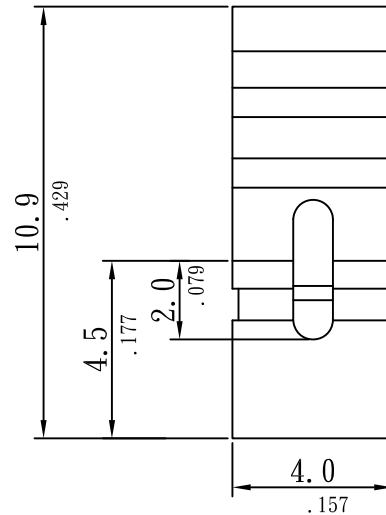
Insulator: Nylon 66
 Color: Black
 Contact: Phosphor bronze
 Plating: Gold plated

SPECIFICATIONS

Current rating: 3.0A Max.
 Dielectric withstand voltage: 650V AC
 Insulation resistance: 1000 MΩ Max.
 Contact resistance: 0.03Ω Max.

R 5705-A
 1 2 3

1. RoHS
2. Series No.
3. Black



CONTACT POINT



Sunny Young Enterprise Co., Ltd.

S. Y. E. <http://www.sunnyyoung.com.tw>

13F., No. 116, Sec. 1, Xintai 5th Rd., Xizhi Dist., New Taipei City 221, Taiwan

Tel: +886 2 2696 1668(REP) Fax: +886 2 2696 2668

PART NO

R5705-A

M146	NAME	DATE	SCALE: NTS	REV NO	DATE	DESCRIPTION	BY	CHECKED	TOLERANCE UNLESS NOTED	
DRAWN	QYJ	2010.06.07	UNIT: mm(in.)	A					LINEAR±	.0 ±0.30(.012)
CHECKED	HW	2010.06.07	CAD NO	B				.00 ±0.20(.008)		
APPROVED	PC	2010.06.07	R5705-A	C				.000±0.10(.004)		
										PROJECTION: