

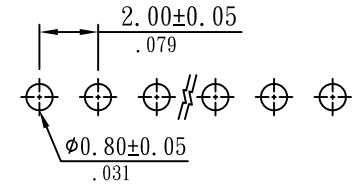
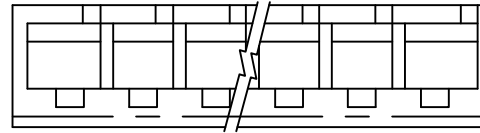
2.00mm(.079") HOUSING

MATERIAL

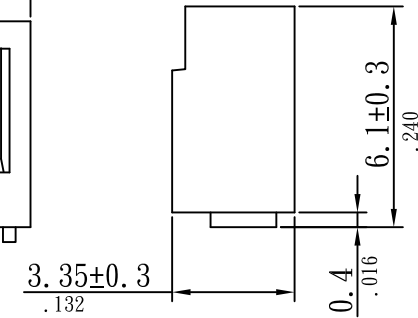
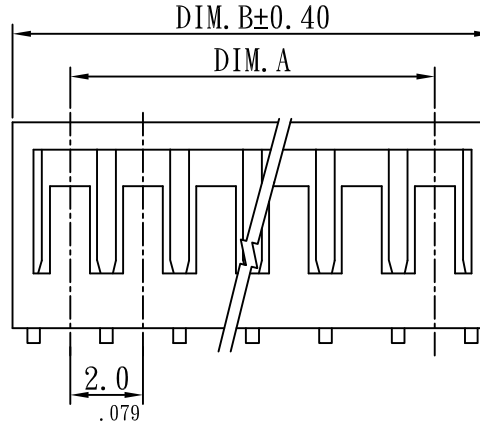
Insulator: Nylon 66 UL 94V-0
Color: White

SPECIFICATIONS

Temperature range: -25°C ~ +85°C
Current rating: 3.0A
Voltage rating: 250V AC
Dielectric withstand voltage: 800V AC
Insulation resistance: 1000 MΩ Min.
Contact resistance: 0.02Ω Max.
Accepts S.Y.E. R5553 Terminal



PCB LAYOUT



Order Information

R 5550-xxP
1 2 3

1. RoHS
2. Series No.
3. Pin No.

Dimensional Information

Circuits	DIM. A		DIM. B		Circuits	DIM. A		DIM. B	
	mm	in	mm	in		mm	in	mm	in
2	2.00	0.079	5.20	0.205	12	22.00	0.866	25.20	0.992
3	4.00	0.157	7.20	0.283	13	24.00	0.945	27.20	1.071
4	6.00	0.236	9.20	0.362	14	26.00	1.024	29.20	1.150
5	8.00	0.315	11.20	0.441	15	28.00	1.102	31.20	1.228
6	10.00	0.394	13.20	0.520	16	30.00	1.181	33.20	1.307
7	12.00	0.472	15.20	0.598	17	32.00	1.260	35.20	1.386
8	14.00	0.551	17.20	0.677	18	34.00	1.339	37.20	1.465
9	16.00	0.630	19.20	0.756	19	36.00	1.417	39.20	1.543
10	18.00	0.709	21.20	0.835	20	38.00	1.496	41.20	1.622
11	20.00	0.787	23.20	0.913					



Sunny Young Enterprise Co., Ltd.

S. Y. E. <http://www.sunnyyoung.com.tw>

13F., No. 116, Sec. 1, Xintai 5th Rd., Xizhi Dist., New Taipei City 221, Taiwan

Tel: +886 2 2696 1668(REP) Fax: +886 2 2696 2668

PART NO

R5550-xxP

S059	NAME	DATE	SCALE: NTS	REV NO	DATE	DESCRIPTION	BY	CHECKED	TOLERANCE UNLESS NOTED	
DRAWN	PC	2012.06.21	UNIT: mm(in.)	A					LINEAR±	0-10 ±0.20(.008)
CHECKED	ALBERT	2012.06.21	CAD NO	B				10-20 ±0.30(.012)		
APPROVED	TINA	2012.06.21	R5550-xxP	C				20-40 ±0.40(.016)		
									40 UP ±0.50(.020)	PROJECTION:

2.00mm(.079") TERMINAL

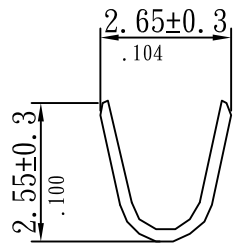
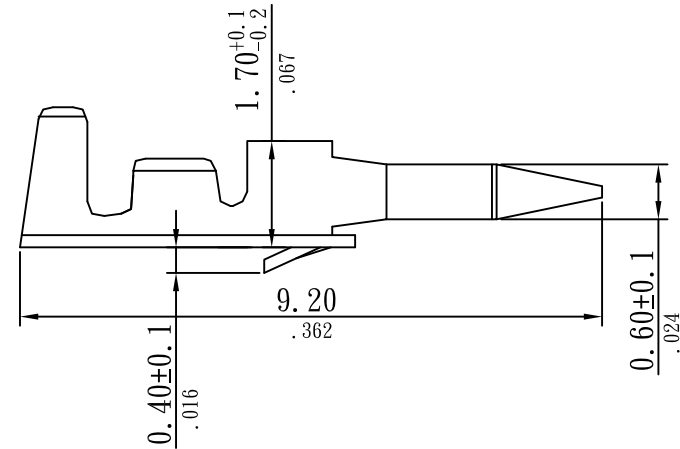
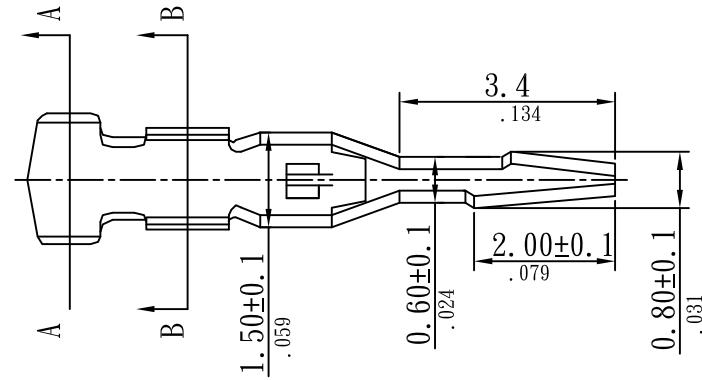
SPECIFICATIONS

Material: Brass
 Thickness : 0.20mm
 Plating : Tin plated
 Applicable wire : AWG 24 ~ AWG 30
 Used in S.Y.E. R5550 Housing

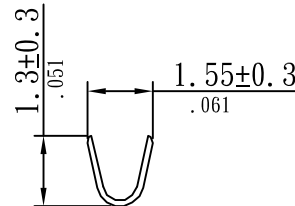
Order Information

R 5553-B T
 1 2 3 4

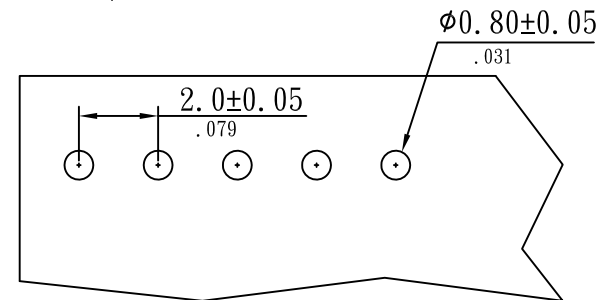
1. RoHS
2. Series No.
3. Brass
4. Tin plated



SECTION A-A



SECTION B-B



PCB LAYOUT



Sunny Young Enterprise Co., Ltd.

S. Y. E. <http://www.sunnyyoung.com.tw>

13F., No. 116, Sec. 1, Xintai 5th Rd., Xizhi Dist., New Taipei City 221, Taiwan

Tel: +886 2 2696 1668(REP) Fax: +886 2 2696 2668

PART NO

R5553-BT

S059	NAME	DATE	SCALE: NTS	REV NO	DATE	DESCRIPTION	BY	CHECKED	TOLERANCE UNLESS NOTED	
DRAWN	xiexuanyin	2012. 06. 27	UNIT: mm(in.)	A					LINEAR±	0-10 ±0.20(.008)
CHECKED	ALBERT	2012. 06. 27	CAD NO	B				10-20 ±0.30(.012)		
APPROVED	TINA	2012. 06. 27	R5553-BT	C				20-40 ±0.40(.016)		
								40 UP ±0.50(.020)		
									PROJECTION:	