

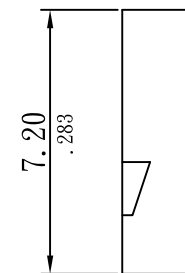
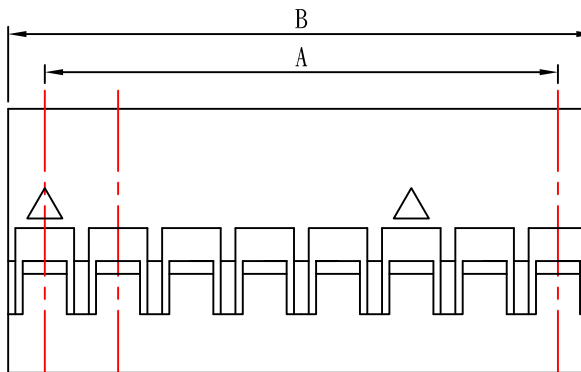
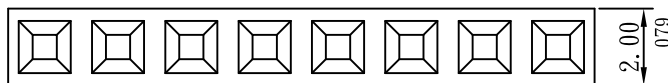
2.00mm(.079") HOUSING

MATERIAL

Insulator: Nylon 66 UL94V-2
Color: Black

SPECIFICATIONS

Temperature range: -25°C ~ +85°C
Current rating: 1.0A AC/DC
Voltage rating: 250V AC/DC
Dielectric withstand voltage: 800V AC
Insulation resistance: 1000 MΩ min.



Order Information

R 5510-xxP S -DP
1 2 3 4 5

1. RoHS
2. Series No.
3. Pin No.
4. Single row
5. Du Pont

Dimensional Information

Circuits	Dim. A	Dim. B	Circuits	Dim. A	Dim. B	Circuits	Dim. A	Dim. B
2	2.00(0.079)	4.30(0.169)	12	22.00(0.866)	24.30(0.957)	22	42.00(1.654)	44.30(1.744)
3	4.00(0.157)	6.30(0.248)	13	24.00(0.945)	26.30(1.035)	24	44.00(1.732)	46.30(1.823)
4	6.00(0.236)	8.30(0.327)	14	26.00(1.024)	28.30(1.114)	23	46.00(1.811)	48.30(1.902)
5	8.00(0.315)	10.30(0.406)	15	28.00(1.102)	30.30(1.193)	25	48.00(1.890)	50.30(1.980)
6	10.00(0.394)	12.30(0.484)	16	30.00(1.181)	32.30(1.272)	26	50.00(1.969)	52.30(2.059)
7	12.00(0.472)	14.30(0.563)	17	32.00(1.260)	34.30(1.350)	27	52.00(2.047)	54.30(2.138)
8	14.00(0.551)	16.30(0.642)	18	34.00(1.339)	36.30(1.429)	28	54.00(2.126)	56.30(2.217)
9	16.00(0.630)	18.30(0.720)	19	36.00(1.417)	38.30(1.508)	29	56.00(2.205)	58.30(2.295)
10	18.00(0.709)	20.30(0.799)	20	38.00(1.496)	40.30(1.587)	30	58.00(2.283)	60.30(2.374)
11	20.00(0.787)	22.30(0.878)	21	40.00(1.575)	42.30(1.665)			



Sunny Young Enterprise Co., Ltd.

S. Y. E. <http://www.sunnyyoung.com.tw>

13F., No. 116, Sec. 1, Xintai 5th Rd., Xizhi Dist., New Taipei City 221, Taiwan

Tel: +886 2 2696 1668(REP) Fax: +886 2 2696 2668

S043	NAME	DATE	SCALE: 1:3	REV NO	DATE	DESCRIPTION	BY	CHECKED	TOLERANCE UNLESS NOTED	
DRAWN	PC	2012. 10. 11	UNIT: mm(in.)	A	2015. 02. 11	CHANGE APPEARANCE	SONIA	TINA	LINEAR±	.0 ±0.30(.012)
CHECKED			CAD NO	B						.00 ±0.20(.008)
APPROVED	TINA	2012. 10. 11	R5510-xxPS-DP	C						.000±0.10(.004)

PART NO R5510-xxPS-DP

PROJECTION:

2.00mm(.079") HOUSING

MATERIAL

Insulator: Noryl UL94V-1
Color: Black

SPECIFICATIONS

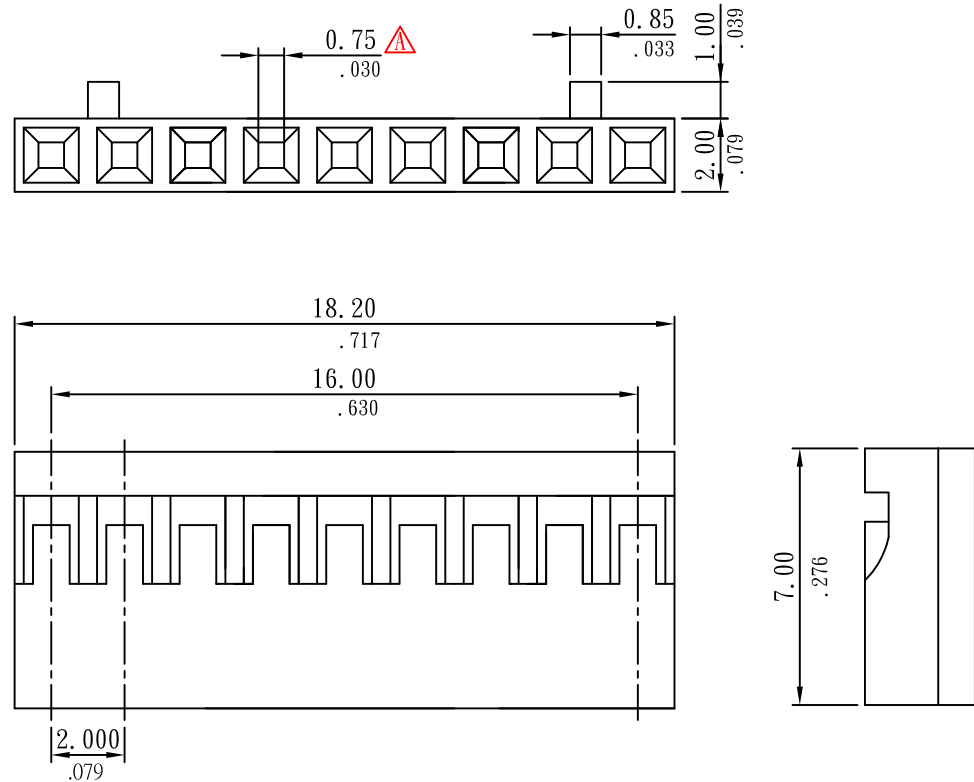
Temperature range: -25°C ~ +85°C
Current rating: 1.0A
Voltage rating: 100V AC
Dielectric withstand voltage: 800V AC
Insulation resistance: 1000 MΩ min.
Contact resistance: 0.02Ω max.

Mates with S. Y. E. R5513 Terminal

Order Information

R 5510-09P S -KEY
1 2 3 4 5

1. RoHS
2. Series No.
3. Pin No.
4. Single row
5. Key



Sunny Young Enterprise Co., Ltd.

S. Y. E. <http://www.sunnyyoung.com.tw>

13F., No. 116, Sec. 1, Xintai 5th Rd., Xizhi Dist., New Taipei City 221, Taiwan

Tel: +886 2 2696 1668(REP) Fax: +886 2 2696 2668

PART NO

R5510-09PS-KEY

S043	NAME	DATE	SCALE: NTS	REV NO	DATE	DESCRIPTION	BY	CHECKED	TOLERANCE UNLESS NOTED	
DRAWN	PC	2008. 11. 17	UNIT: mm(in.)	A	2012. 11. 07	新增尺寸	PC	TINA	LINEAR±	.0 ±0.30(.012)
CHECKED	PIQI	2008. 11. 17	CAD NO	B						.00 ±0.20(.008)
APPROVED	MARS	2008. 11. 17	R5510-09PS-KEY	C						.000±0.10(.004)
									PROJECTION:	

2.00mm(.079") HOUSING

MATERIAL

Insulator: Nylon 66 UL94V-2
Color: Black

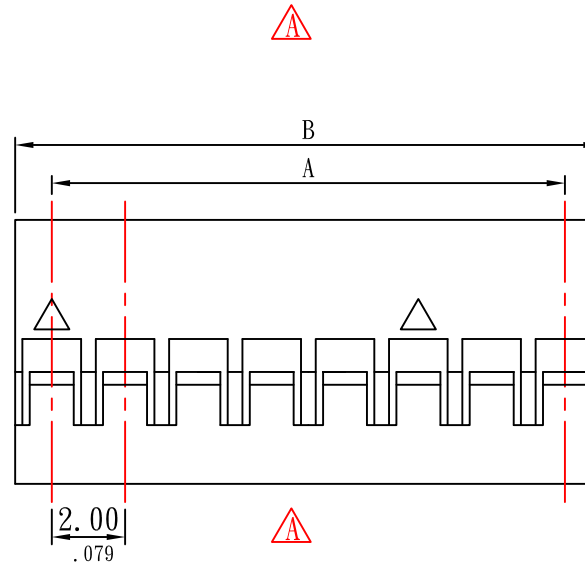
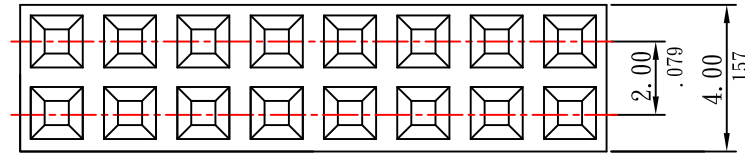
SPECIFICATIONS

Temperature range: -25°C ~ +85°C
Current rating: 1.0A
Voltage rating: 250V AC
Dielectric withstand voltage: 800V AC
Insulation resistance: 1000 MΩ min.
Contact resistance: 0.02Ω max.

Order Information

R 5510-xxP D- DP
1 2 3 4 5

1. RoHS
2. Series No.
3. Pin No.
4. Dual row
5. Du Pont



Dimensional Information

Circuits	Dim. A	Dim. B	Circuits	Dim. A	Dim. B	Circuits	Dim. A	Dim. B
4	2.00(0.079)	4.20(0.165)	22	20.00(0.787)	22.20(0.874)	40	38.00(1.496)	40.20(1.583)
6	4.00(0.157)	6.20(0.244)	24	22.00(0.866)	24.20(0.953)	42	40.00(1.575)	42.20(1.661)
8	6.00(0.236)	8.20(0.323)	26	24.00(0.945)	26.20(1.031)	44	42.00(1.654)	44.20(1.740)
10	8.00(0.315)	10.20(0.402)	28	26.00(1.024)	28.20(1.110)	46	44.00(1.732)	46.20(1.819)
12	10.00(0.394)	12.20(0.480)	30	28.00(1.102)	30.20(1.189)	48	46.00(1.811)	48.20(1.898)
14	12.00(0.472)	14.20(0.559)	32	30.00(1.181)	32.20(1.268)	50	48.00(1.890)	50.20(1.976)
16	14.00(0.551)	16.20(0.638)	34	32.00(1.260)	34.20(1.346)	60	58.00(2.283)	60.20(2.370)
18	16.00(0.630)	18.20(0.717)	36	34.00(1.339)	36.20(1.425)	80	78.00(3.071)	80.20(3.157)
20	18.00(0.709)	20.20(0.795)	38	36.00(1.417)	38.20(1.504)			



Sunny Young Enterprise Co., Ltd.

S. Y. E. <http://www.sunnyyoung.com.tw>

13F., No. 116, Sec. 1, Xintai 5th Rd., Xizhi Dist., New Taipei City 221, Taiwan

Tel: +886 2 2696 1668(REP) Fax: +886 2 2696 2668

S043	NAME	DATE	SCALE: 1:3	REV NO	DATE	DESCRIPTION	BY	CHECKED	TOLERANCE UNLESS NOTED	
DRAWN	PC	2012. 10. 11	UNIT: mm(in.)	A	2015. 02. 11	CHANGE APPEARANCE	SONIA	TINA	LINEAR±	.0 ±0.30(.012)
CHECKED			CAD NO	B						.00 ±0.20(.008)
APPROVED	TINA	2012. 10. 11	R5510-xxPD-DP	C						.000±0.10(.004)

PART NO R5510-xxPD-DP

PROJECTION:

2.00mm(.079") HOUSING

MATERIAL

Insulator: Nylon 66 UL94-V2
Color: Black

SPECIFICATIONS

Temperature range: -25°C ~ +85°C
Current rating: 1.0A
Voltage rating: 250V AC
Dielectric withstand voltage: 800V AC
Insulation resistance: 1,000 Ω Min.
Mates with S. Y. E. R5513 Terminal

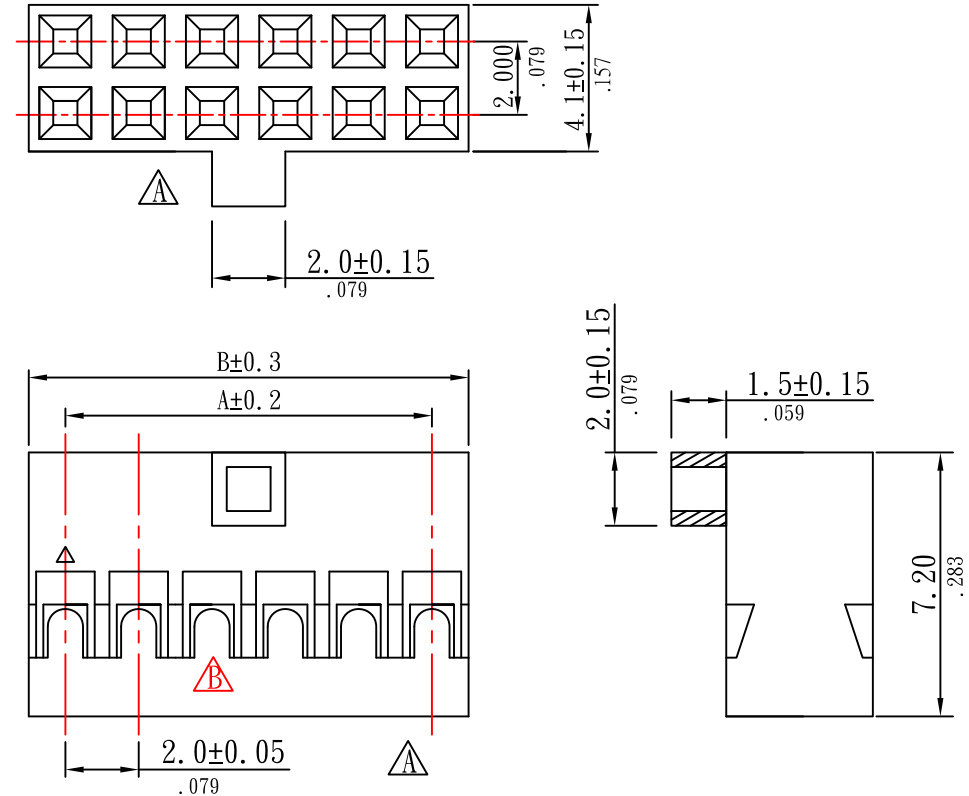
Order Information

R 5510-xxP D-DP-KEY
1 2 3 4 5 6

1. RoHS
2. Series
3. Pin No.
4. Dual Row
5. Du Pont
6. KEY

Dimensional Information

Circuits	Dim. A	Dim. B	Circuits	Dim. A	Dim. B	Circuits	Dim. A	Dim. B
4	2.00(0.079)	4.20(0.165)	22	20.00(0.787)	22.20(0.874)	40	38.00(1.496)	40.20(1.583)
6	4.00(0.157)	6.20(0.244)	24	22.00(0.866)	24.20(0.953)	42	40.00(1.575)	42.20(1.661)
8	6.00(0.236)	8.20(0.323)	26	24.00(0.945)	26.20(1.031)	44	42.00(1.654)	44.20(1.740)
10	8.00(0.315)	10.20(0.402)	28	26.00(1.024)	28.20(1.110)	46	44.00(1.732)	46.20(1.819)
12	10.00(0.394)	12.20(0.480)	30	28.00(1.102)	30.20(1.189)	48	46.00(1.811)	48.20(1.898)
14	12.00(0.472)	14.20(0.559)	32	30.00(1.181)	32.20(1.268)	50	48.00(1.890)	50.20(1.976)
16	14.00(0.551)	16.20(0.638)	34	32.00(1.260)	34.20(1.346)	60	58.00(2.283)	60.20(2.370)
18	16.00(0.630)	18.20(0.717)	36	34.00(1.339)	36.20(1.425)	80	78.00(3.071)	80.20(3.157)
20	18.00(0.709)	20.20(0.795)	38	36.00(1.417)	38.20(1.504)			



Sunny Young Enterprise Co., Ltd.

S. Y. E. <http://www.sunnyyoung.com.tw>

13F., No. 116, Sec. 1, Xintai 5th Rd., Xizhi Dist., New Taipei City 221, Taiwan

Tel: +886 2 2696 1668(REP) Fax: +886 2 2696 2668

S043	NAME	DATE	SCALE: 1:3	REV NO	DATE	DESCRIPTION	BY	CHECKED	TOLERANCE UNLESS NOTED	
DRAWN	PC	2012. 10. 11	UNIT: mm(in.)	A	2015. 02. 11	CHANGE APPEARANCE	SONIA	TINA	LINEAR±	.0 ±0.30(.012)
CHECKED			CAD NO	B	2017. 10. 03	CHANGE HOUSING EXTERIOR	ZOEY	TINA		.00 ±0.20(.008)
APPROVED	TINA	2012. 10. 11	R5510-xxPD-DP-KEY	C						.000±0.10(.004)
PART NO										PROJECTION:

R5510-xxPD-DP-KEY

2.00mm(.079") PITCH POLARIZING KEY

MATERIAL

Insulator: PBT UL 94V-0

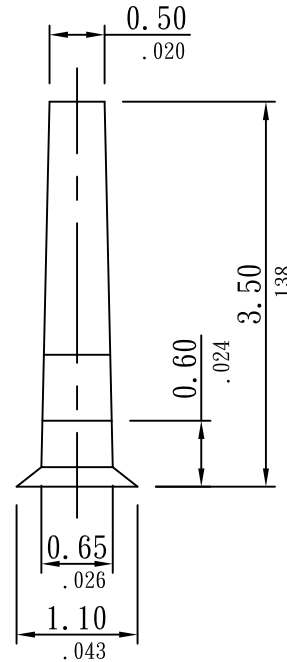
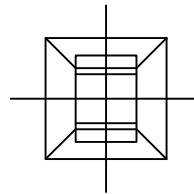
SPECIFICATIONS

Temperature range: -25°C ~ +85°C
 Current rating: 1.0A
 Voltage rating: 100V AC
 Withstand voltage: 800V AC
 Insulation resistance: 1000 MΩ Min.

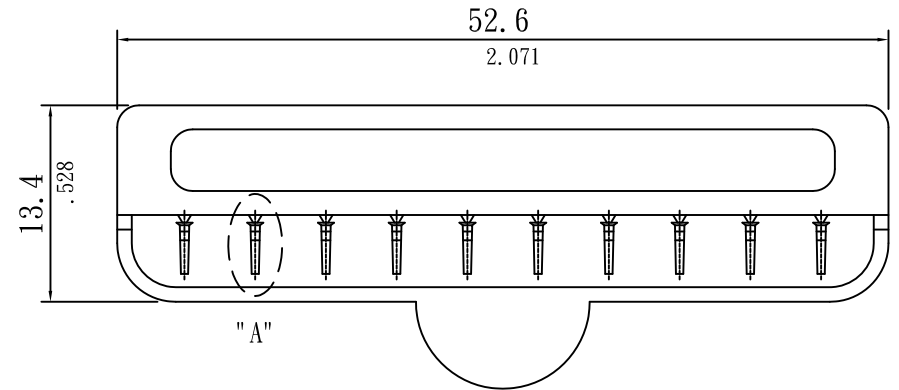
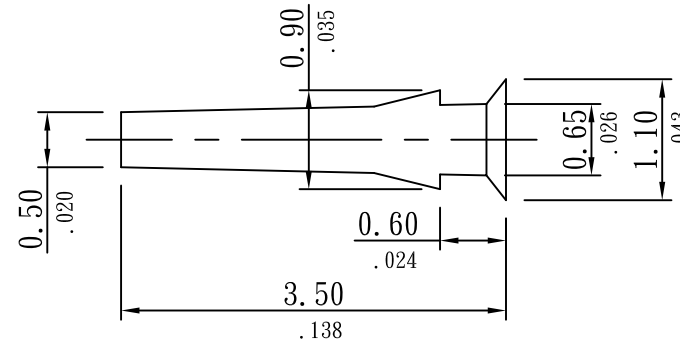
R 5510-KEY

1 2 3

1. RoHS
2. Series No.
3. KEY



DETAIL: "A" (1:15)



Sunny Young Enterprise Co., Ltd.

S. Y. E. <http://www.sunnyyoung.com.tw>

13F., No. 116, Sec. 1, Xintai 5th Rd., Xizhi Dist., New Taipei City 221, Taiwan

Tel: +886 2 2696 1668(REP) Fax: +886 2 2696 2668

PART NO

R5510-KEY

S043	NAME	DATE	SCALE: 1:3	REV NO	DATE	DESCRIPTION	BY	CHECKED	TOLERANCE UNLESS NOTED	
DRAWN	LEE	2008. 10. 16	UNIT: mm(in.)	A					LINEAR±	.0 ±0.30(.012)
CHECKED	PIQI	2008. 10. 16	CAD NO	B				.00 ±0.20(.008)		
APPROVED	MARS	2008. 10. 16	R5510-KEY	C				.000±0.10(.004)		
									PROJECTION:	

2.00mm(.079") TERMINAL

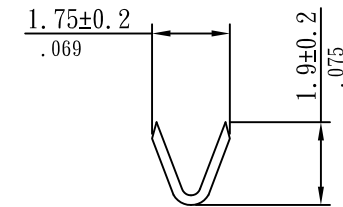
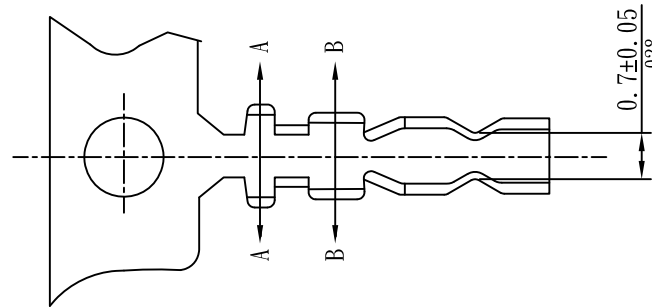
SPECIFICATIONS

Material : Brass
 Thickness : 0.20mm
 Plating : Gold plated
 Applicable wire : AWG 26 ~ AWG 30
 Insulation O.D. : 1.35mm Max.
 Used in S.Y.E. R5510-xxP Housing

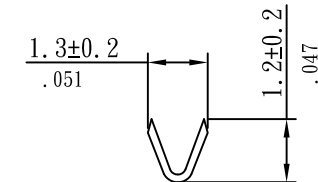
Order Information

R 5513-B G
 1 2 3 4

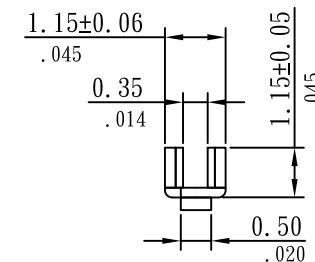
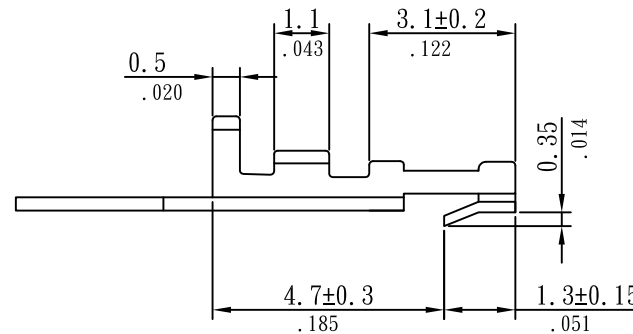
1. RoHS
2. Series No.
3. Brass
4. Gold plated



SECTION A-A



SECTION B-B



S.Y.E. Sunny Young Enterprise Co., Ltd.
 S. Y. E. <http://www.sunnyyoung.com.tw>
 13F., No. 116, Sec. 1, Xintai 5th Rd., Xizhi Dist., New Taipei City 221, Taiwan
 Tel: +886 2 2696 1668(REP) Fax: +886 2 2696 2668

S043	NAME	DATE	SCALE: NTS	REV NO	DATE	DESCRIPTION	BY	CHECKED	TOLERANCE UNLESS NOTED	
DRAWN	DEAN	2019.01.31	UNIT: mm(in.)	A					LINEAR±	0. ±0.50(.020)
CHECKED	EASON	2019.01.31	CAD NO	B						.00 ±0.25(.010)
APPROVED	APPLE	2019.01.31	R5513-BG	C						.00 ±0.20(.008)
PART NO	R5513-BG								PROJECTION:	

2.00mm(.079") TERMINAL

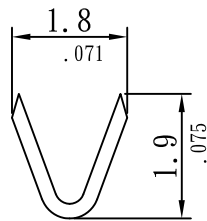
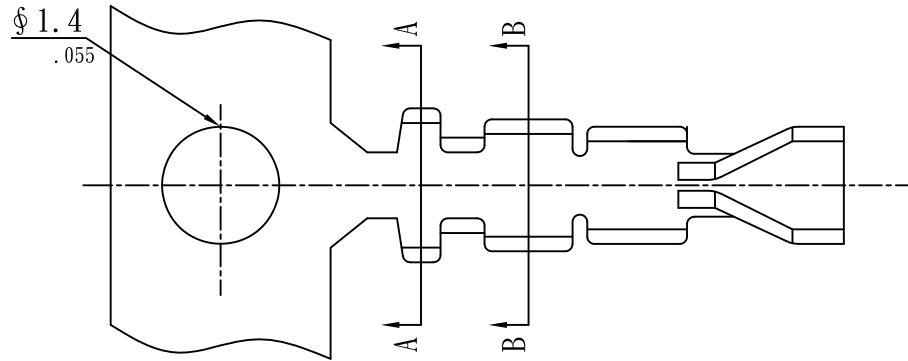
SPECIFICATIONS

Material : Phosphor bronze
 Thickness : 0.20mm
 Plating : Gold plated
 Applicable wire : AWG 26 ~ AWG 30
 Insulation O.D. : 1.35mm Max.
 Used in S.Y.E. R5510-xxP Housing

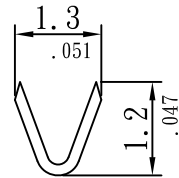
Order Information

R 5513-P G-DP
 1 2 3 4 5

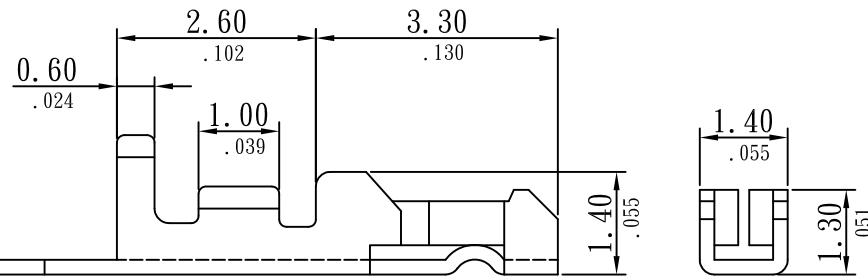
1. RoHS
2. Series No.
3. Phosphor bronze
4. Gold plated
5. Du Pont



SECTION A-A



SECTION B-B



Sunny Young Enterprise Co., Ltd.

S. Y. E. <http://www.sunnyyoung.com.tw>

13F., No. 116, Sec. 1, Xintai 5th Rd., Xizhi Dist., New Taipei City 221, Taiwan

Tel: +886 2 2696 1668(REP) Fax: +886 2 2696 2668

PART NO

R5513-PG-DP

T010	NAME	DATE	SCALE: NTS	REV NO	DATE	DESCRIPTION	BY	CHECKED	TOLERANCE UNLESS NOTED	
DRAWN	YXF	2008. 11. 15	UNIT: mm(in.)	A					LINEAR±	.0 ±0.30(.012)
CHECKED	PIQI	2008. 11. 15	CAD NO	B				.00 ±0.20(.008)		
APPROVED	MARS	2008. 11. 15	R5513-PG-DP	C				.000±0.10(.004)		
									PROJECTION:	