

4.00mm(.157") HOUSING FEMALE

MATERIAL

Insulator: Nylon 66 UL 94V-0
Color: White

SPECIFICATIONS

Temperature range: -25°C ~ +85°C
Current rating: 1.0A
Voltage rating: 600V AC
Dielectric withstand voltage: 1800V AC
Insulation resistance: 1000 MΩ Min.
Contact resistance: 0.01Ω Max.
Mates with S.Y.E. R4003 Terminal
Mates with S.Y.E. R4001 Wafer(Headers)

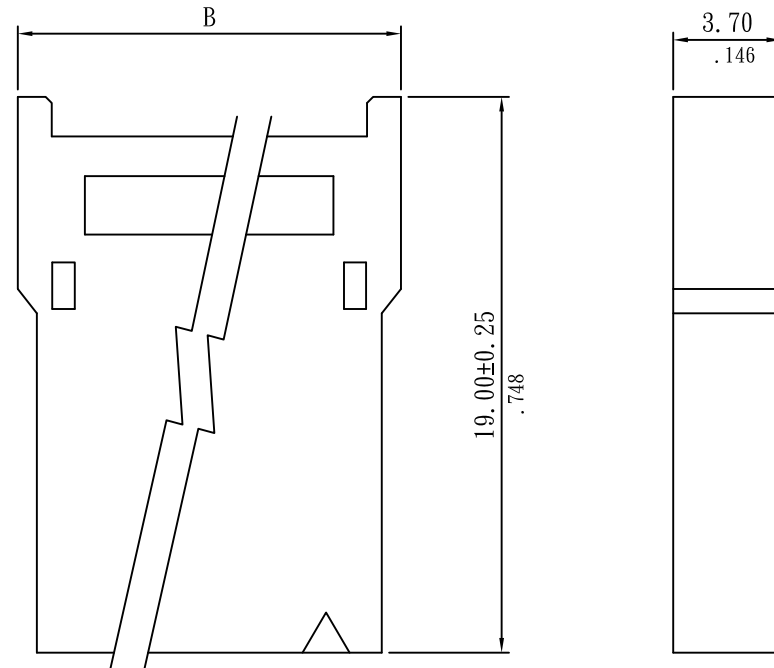
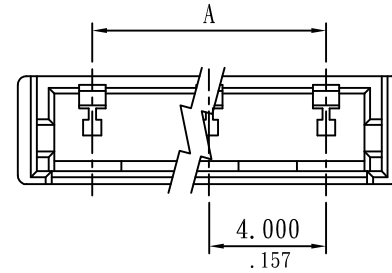
Order Information

R 4000-xx F
1 2 3 4

1. RoHS
2. Series No.
3. Pin No.
4. Female

Dimensions Information

Circuits	Dim. A	Dim. B
2	4.00(0.157)	9.10(0.358)
3	8.00(0.315)	13.10(0.516)
4	12.00(0.472)	17.10(0.673)
5	16.00(0.630)	21.10(0.831)



Sunny Young Enterprise Co., Ltd.

S.Y.E. <http://www.sunnyyoung.com.tw>
13F., No. 116, Sec. 1, Xintai 5th Rd., Xizhi Dist., New Taipei City 221, Taiwan
Tel: +886 2 2696 1668(REP) Fax: +886 2 2696 2668

S008	NAME	DATE	SCALE: NTS	REV NO	DATE	DESCRIPTION	BY	CHECKED	TOLERANCE UNLESS NOTED	
DRAWN	PC	2008.11.06	UNIT: mm(in.)	A					LINEAR±	.0 ±0.30(.012)
CHECKED	PIQI	2008.11.06	CAD NO	B				.00 ±0.20(.008)		
APPROVED	MARS	2008.11.06	R4000-xxF	C				.000±0.10(.004)		
PART NO	R4000-xxF								PROJECTION:	

4. 00mm(.157") HOUSING MALE

MATERIAL

Insulator: Nylon 66 UL 94V-0
 Color: White

SPECIFICATIONS

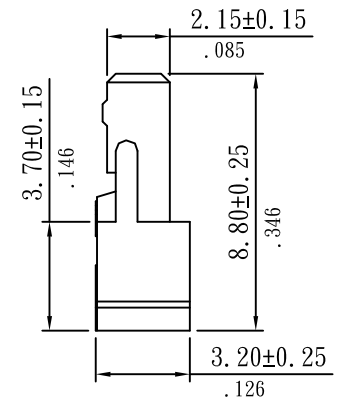
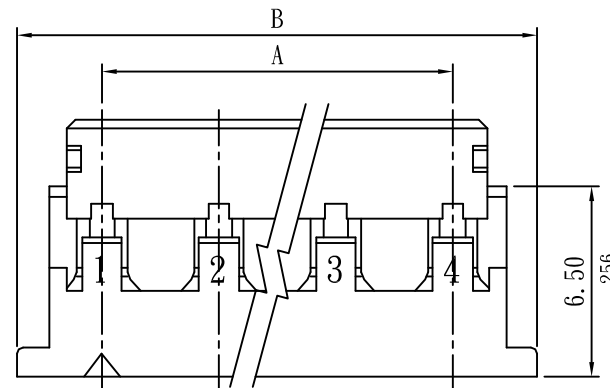
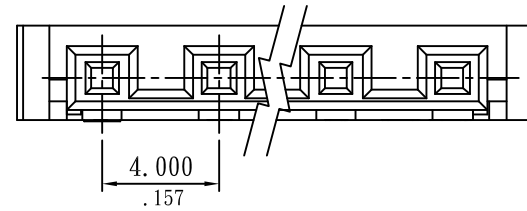
Temperature range: -25°C ~ +85°C
 Current rating: 1.0A
 Voltage rating: 600V AC
 Dielectric withstand voltage: 1800V AC
 Insulation resistance: 1000 MΩ Min.
 Contact resistance: 0.01Ω Max.

Mates with S.Y.E. R4003-F Terminal
 Mates with S.Y.E. R4001 Wafer(Headers)

Order Information

R 4000-xx M
 1 2 3 4

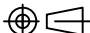
1. RoHS
2. Series No.
3. Pin No.
4. Male



Dimensions Information

Circuits	Dim. A	Dim. B
2	4.00(0.157)	9.80(0.386)
3	8.00(0.315)	13.80(0.543)
4	12.00(0.472)	17.80(0.701)
5	16.00(0.630)	21.80(0.858)

 Sunny Young Enterprise Co., Ltd.
 S.Y.E. <http://www.sunnyyoung.com.tw>
 13F., No. 116, Sec. 1, Xintai 5th Rd., Xizhi Dist., New Taipei City 221, Taiwan
 Tel: +886 2 2696 1668(REP) Fax: +886 2 2696 2668

S008	NAME	DATE	SCALE: NTS	REV NO	DATE	DESCRIPTION	BY	CHECKED	TOLERANCE UNLESS NOTED	
DRAWN	PC	2008.11.15	UNIT: mm(in.)	A					LINEAR±	.0 ±0.30(.012)
CHECKED	PIQI	2008.11.15	CAD NO	B				.00 ±0.20(.008)		
APPROVED	MARS	2008.11.15	R4000-xxM	C				.000±0.10(.004)		
PART NO R4000-xxM										PROJECTION: 

4. 00mm(.157") TERMINAL

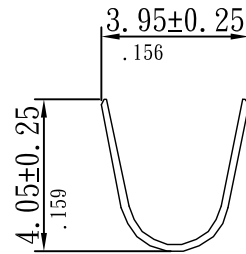
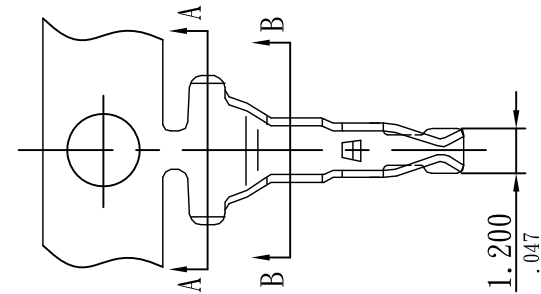
SPECIFICATIONS

Material: Phosphor bronze
 Thickness : 0.20mm
 Plating : Tin plated
 Applicable wire : AWG 22 ~ AWG 28
 Insulation O.D. : 2.40mm Max.
 Used in S.Y.E. R4000-xxM Housing

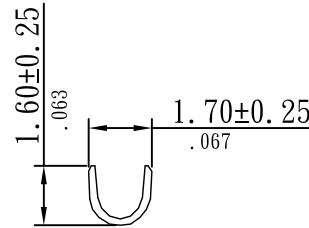
Order Information

R 4003-F-P T
 1 2 3 4 5

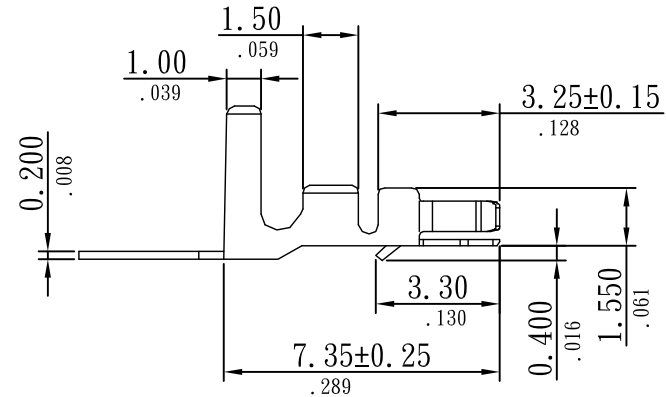
1. RoHS
2. Series
3. Female
4. Phosphor bronze
5. Tin plated



SECTION A-A



SECTION B-B



S.Y.E. Sunny Young Enterprise Co., Ltd.
 S. Y. E. <http://www.sunnyyoung.com.tw>
 13F., No. 116, Sec. 1, Xintai 5th Rd., Xizhi Dist., New Taipei City 221, Taiwan
 Tel: +886 2 2696 1668(REP) Fax: +886 2 2696 2668

S008	NAME	DATE	SCALE: NTS	REV NO	DATE	DESCRIPTION	BY	CHECKED	TOLERANCE UNLESS NOTED	
DRAWN	PC	2008. 11. 15	UNIT: mm(in.)	A					LINEAR±	.0 ±0.30(.012)
CHECKED	PIQI	2008. 11. 15	CAD NO	B				.00 ±0.20(.008)		
APPROVED	MARS	2008. 11. 15	R4003-F-PT	C				.000±0.10(.004)		
PART NO R4003-F-PT										PROJECTION:

4.00mm(.157") TERMINAL

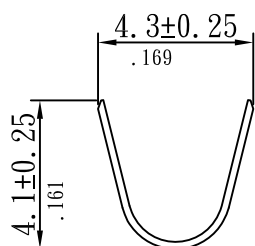
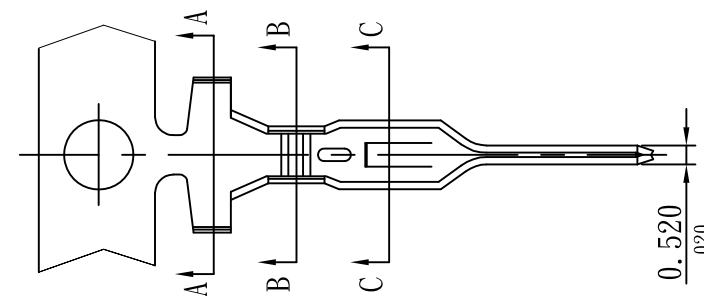
SPECIFICATIONS

Material: Phosphor bronze
 Thickness : 0.20mm
 Plating : Tin plated
 Applicable wire : AWG 22 ~ AWG 28
 Insulation O.D. : 2.40mm Max.
 Used in S.Y.E. R4000-xxF Housing

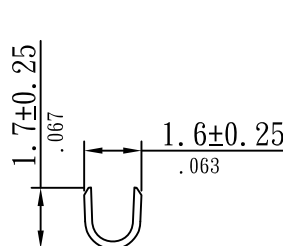
Order Information

R 4003-M-P T
 1 2 3 4 5

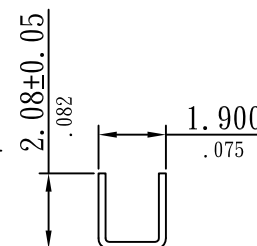
1. RoHS
2. Series
3. Male
4. Phosphor bronze
5. Tin plated



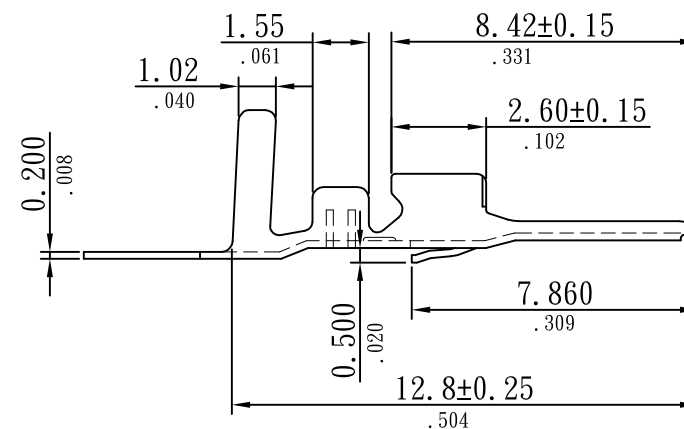
SECTION A-A



SECTION B-B



SECTION C-C



S.Y.E. Sunny Young Enterprise Co., Ltd.
 S. Y. E. <http://www.sunnyyoung.com.tw>
 13F., No. 116, Sec. 1, Xintai 5th Rd., Xizhi Dist., New Taipei City 221, Taiwan
 Tel: +886 2 2696 1668(REP) Fax: +886 2 2696 2668

S008	NAME	DATE	SCALE: NTS	REV NO	DATE	DESCRIPTION	BY	CHECKED	TOLERANCE UNLESS NOTED		
DRAWN	PC	2008. 11. 15	UNIT: mm(in.)	A					LINEAR±	.0 ±0.30(.012)	
CHECKED	PIQI	2008. 11. 15	CAD NO	B				.00 ±0.20(.008)			
APPROVED	MARS	2008. 11. 15	R4003-M-PT	C				.000±0.10(.004)			
PART NO										R4003-M-PT	PROJECTION: