

# 3.96mm(.156") HOUSING

## MATERIAL

Insulator: Nylon 66 UL 94V-2  
 Color: White

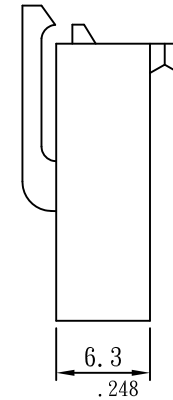
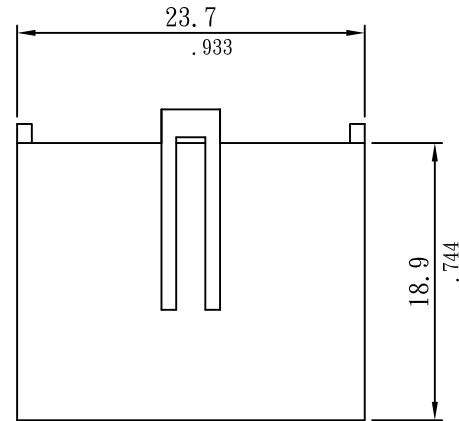
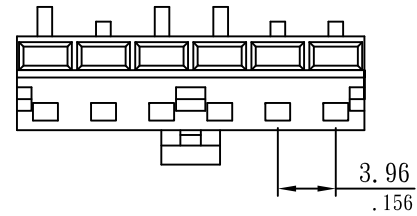
## SPECIFICATIONS


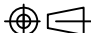
Temperature range: -25°C ~ +85°C  
 Current rating: 7.0A  
 Voltage rating: 250V AC  
 Dielectric withstand voltage: 1500V AC  
 Insulation resistance: 1000MΩ Min.  
 Contact resistance: 0.02Ω Max.  
 Mates with S.Y.E. R3903 Terminal  
 Mates with S.Y.E. R3911 Wafer(Headeers)

## Order Information

R 3910-06P  
 1 2 3

1. RoHS
2. Series No.
3. Pin No.



 Sunny Young Enterprise Co., Ltd. S. Y. E. <a href="http://www.sunnyyoung.com.tw">http://www.sunnyyoung.com.tw</a> 13F., No. 116, Sec. 1, Xintai 5th Rd., Xizhi Dist., New Taipei City 221, Taiwan Tel: +886 2 2696 1668(REP) Fax: +886 2 2696 2668	S043	NAME	DATE	SCALE: NTS	REV NO	DATE	DESCRIPTION	BY	CHECKED	TOLERANCE UNLESS NOTED	
	DRAWN	PC	2008.10.15	UNIT: mm(in.)	A					LINEAR±	.0 ±0.30(.012)
	CHECKED	PIQI	2008.10.15	CAD NO	B						.00 ±0.20(.008)
	APPROVED	MARS	2008.10.15	R3910-06P	C						.000±0.10(.004)
PART NO	R3910-06P							PROJECTION: 			

# 3.96mm(.156") HEADER 180° WITH POST

## MATERIAL

Insulator: Nylon 66 UL 94V-2  
 Color: Natural  
 Contact: Brass  
 Plating: Tin plated

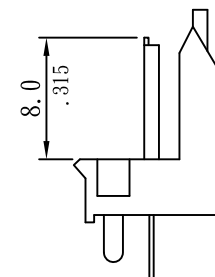
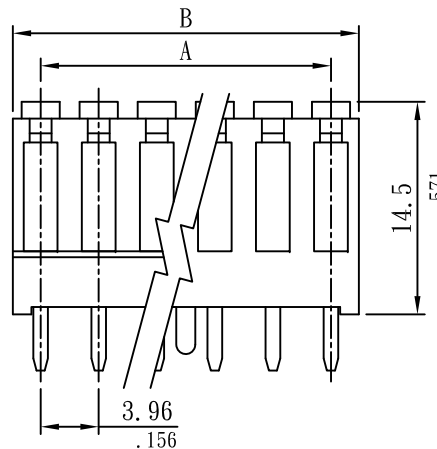
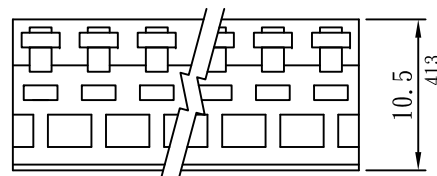
## SPECIFICATIONS

Temperature range: -25°C ~ +85°C  
 Current rating: 7.0A  
 Voltage rating: 250V AC  
 Dielectric withstand voltage: 1500V AC  
 Insulation resistance: 1000 MΩ Min.  
 Mates with S.Y.E R3910-xxP Housing

## Order Information

R 3911-xx T S-Y  
 1 2 3 4 5 6

1. RoHS
2. Series No.
3. Pin No.
4. Tin plated
5. Straight angle
6. With post



## Dimensional Information

Circuits	Dim. A	Dim. B
6	19.80(0.780)	23.80(0.937)
12	43.56(1.715)	47.50(1.870)



Sunny Young Enterprise Co., Ltd.

S. Y. E. <http://www.sunnyyoung.com.tw>

13F., No. 116, Sec. 1, Xintai 5th Rd., Xizhi Dist., New Taipei City 221, Taiwan

Tel: +886 2 2696 1668(REP) Fax: +886 2 2696 2668

S043	NAME	DATE	SCALE: NTS	REV NO	DATE	DESCRIPTION	BY	CHECKED	TOLERANCE UNLESS NOTED	
DRAWN	YXF	2009.01.12	UNIT: mm(in.)	A					LINEAR±	.0 ±0.30(.012)
CHECKED	PIQI	2009.01.12	CAD NO	B						.00 ±0.20(.008)
APPROVED	MARS	2009.01.12	R3911-xxTS-Y	C						.000±0.10(.004)

PART NO R3911-xxTS-Y

PROJECTION:

# 3.96mm(.156") HEADER 180° WITHOUT POST

## MATERIAL

Insulator: Nylon 66 UL 94V-2  
 Color: Natural  
 Contact: Brass  
 Plating: Tin plated

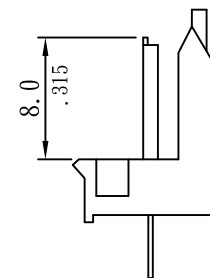
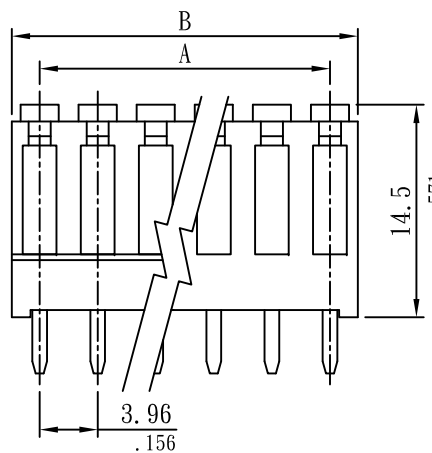
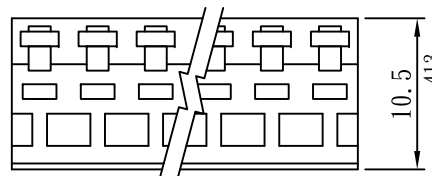
## SPECIFICATIONS

Temperature range: -25°C ~ +85°C  
 Current rating: 7.0A  
 Voltage rating: 250V AC  
 Dielectric withstand voltage: 1500V AC  
 Insulation resistance: 1000 MΩ Min.  
 Mates with S.Y.E R3910-xxP Housing

## Order Information

R 3911-xx T S-N  
 I 2 3 4 5 6

1. RoHS
2. Series No.
3. Pin No.
4. Tin plated
5. Straight angle
6. Without post



## Dimensional Information

Circuits	Dim. A	Dim. B
6	19.80(0.780)	23.80(0.937)
12	43.56(1.715)	47.50(1.870)



Sunny Young Enterprise Co., Ltd.

S. Y. E. <http://www.sunnyyoung.com.tw>

13F., No. 116, Sec. 1, Xintai 5th Rd., Xizhi Dist., New Taipei City 221, Taiwan

Tel: +886 2 2696 1668(REP) Fax: +886 2 2696 2668

S043	NAME	DATE	SCALE: NTS	REV NO	DATE	DESCRIPTION	BY	CHECKED	TOLERANCE UNLESS NOTED	
DRAWN	YXF	2009.01.12	UNIT: mm(in.)	A					LINEAR±	.0 ±0.30(.012)
CHECKED	PIQI	2009.01.12	CAD NO	B						.00 ±0.20(.008)
APPROVED	MARS	2009.01.12	R3911-xxTS-N	C						.000±0.10(.004)

PART NO

R3911-xxTS-N

PROJECTION:

# 3.96mm(.156") TERMINAL

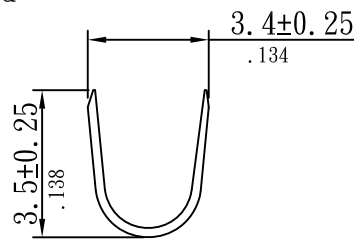
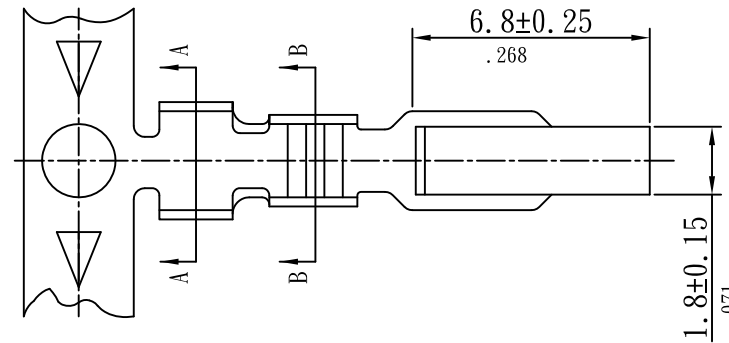
## SPECIFICATION

Material : Brass  
 Thickness : 0.30mm  
 Plating: Tin plated  
 Applicable wire: AWG 18 ~ AWG 24  
 Insulation O.D. : 2.80mm Max.  
 ⚠ Used in S.Y.E. R3900 Series, R3450 Series,  
 R3510 Series & R3910 Series Housing

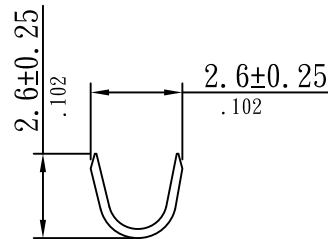
## Order Information

R 3903-B T  
 1 2 3 4

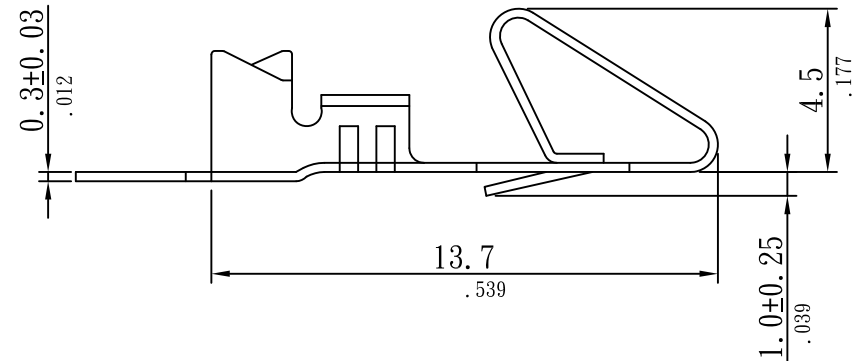
1. RoHS
2. Series No.
3. Brass
4. Tin plated



SECTION A-A



SECTION B-B



Sunny Young Enterprise Co., Ltd.

S. Y. E. <http://www.sunnyyoung.com.tw>

13F., No. 116, Sec. 1, Xintai 5th Rd., Xizhi Dist., New Taipei City 221, Taiwan

Tel: +886 2 2696 1668(REP) Fax: +886 2 2696 2668

T017	NAME	DATE	SCALE: NTS	REV NO	DATE	DESCRIPTION	BY	CHECKED	TOLERANCE UNLESS NOTED	
DRAWN	YXF	2008. 11. 26	UNIT: mm(in.)	A	2010. 11. 08	CHANGE SPECIFICATION HELP	QYJ	SONNY	LINEAR±	.0 ±0.30(.012)
CHECKED	PIQI	2008. 11. 26	CAD NO	B						.00 ±0.20(.008)
APPROVED	SONNY	2008. 11. 26	R3903-BT	C						.000±0.10(.004)
PART NO R3903-BT										PROJECTION: