




# 5.08mm(.200") I. D. C. POWER HOUSING


## MATERIAL

Insulator: Nylon 66 UL 94V-2  
 Color: Natural  
 Contact: Phosphor bronze   
 Plating: Tin plated

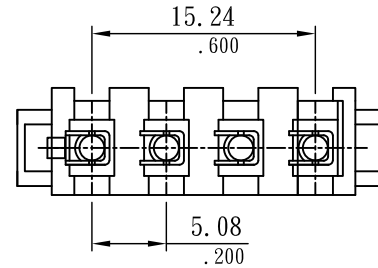
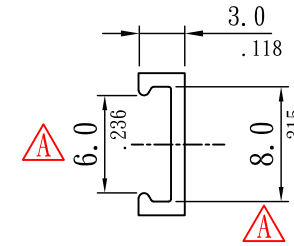
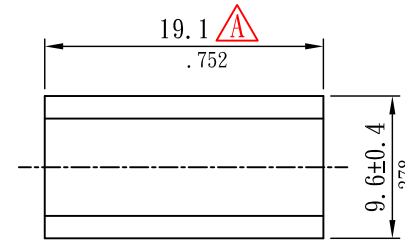
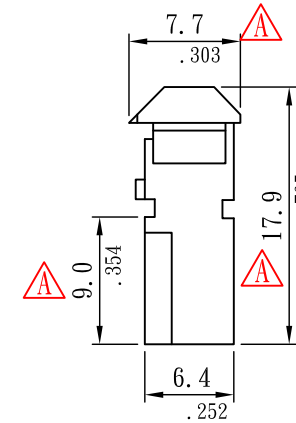
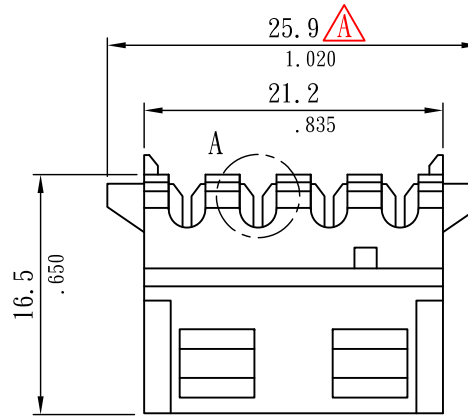
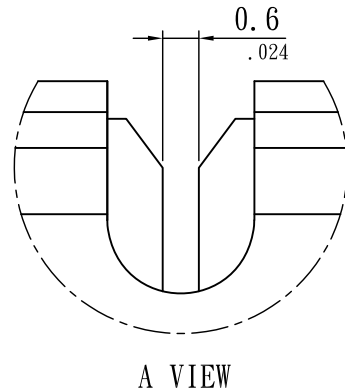
## SPECIFICATIONS




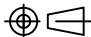
Temperature range: -25°C ~ +85°C   
 Current rating: 6.0A  
 Voltage rating: 250V AC  
 Dielectric withstand voltage: 1500V AC/minute  
 Insulation resistance: 1000 MΩ Min.  
 Contact resistance: 0.01Ω Max.  
 Applicable wire: AWG 18   
 Mates with S. Y. E. R3601 Wafer(Headers)

## Order Information

R 3600-04 M-T 18-C   
 1 2 3 4 5 6 7

1. RoHS
2. Series No.
3. Pin No.
4. Male
5. Tin plated
6. Applicable wire
7. □ type cover



 Sunny Young Enterprise Co., Ltd. S. Y. E. <a href="http://www.sunnyyoung.com.tw">http://www.sunnyyoung.com.tw</a> 13F., No. 116, Sec. 1, Xintai 5th Rd., Xizhi Dist., New Taipei City 221, Taiwan Tel.: +886 2 2696 1668 (REP) Fax: +886 2 2696 2668	T036	NAME	DATE	SCALE: NTS	REV NO	DATE	DESCRIPTION	BY	CHECKED	TOLERANCE UNLESS NOTED	
	DRAWN	YXF	2008. 10. 10	UNIT: mm(in.)	A	2023. 08. 22	ADJUST DIMENSIONS REVISE CONDUCTOR MATERIAL CHANGE PART NO.	RALF	JUDY	LINEAR±	.0 ±0.30(.012)
	CHECKED	PIQI	2008. 10. 10	CAD NO	B						.00 ±0.20(.008)
	APPROVED	MARS	2008. 10. 10	R3600-04M-T18-C 	C						.000±0.10(.004)
PART NO	R3600-04M-T18-C 								PROJECTION: 		

# 5.08mm(.200") I. D. C. POWER HOUSING

## MATERIAL

Insulator: Nylon 66 UL 94V-2

Color: Natural

Contact: Phosphor bronze ▲

Plating: Tin plated

## SPECIFICATIONS

Temperature range: -25°C ~ +85°C ▲

Current rating: 6.0A

Voltage rating: 250V AC

Dielectric withstand voltage: 1500V AC/minute

Insulation resistance: 1000 MΩ Min.

Contact resistance: 0.01Ω Max.

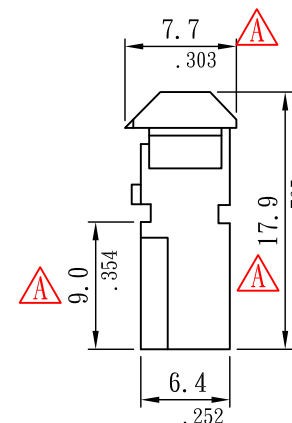
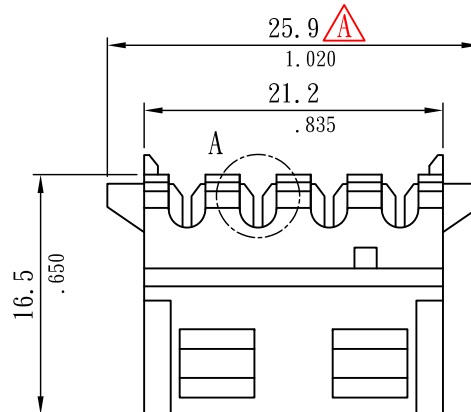
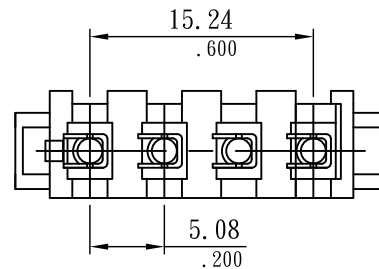
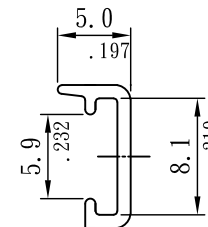
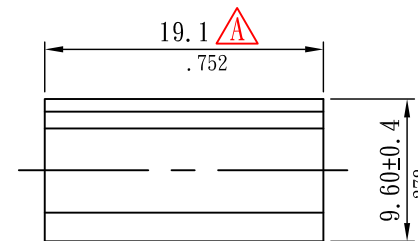
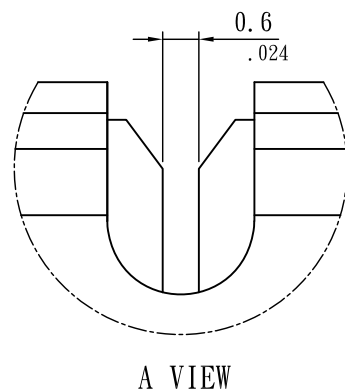
Applicable wire: AWG 18 ▲

Mates with S. Y. E. R3601 Wafer(Headers) ▲

## Order Information

R 3600-04 M-T 18-L ▲  
 1 2 3 4 5 6 7

1. RoHS
2. Series No.
3. Pin No.
4. Male
5. Tin plated
6. Applicable wire
7. L type cover



Sunny Young Enterprise Co., Ltd. S. Y. E. <a href="http://www.sunnyyoung.com.tw">http://www.sunnyyoung.com.tw</a> 13F., No. 116, Sec. 1, Xintai 5th Rd., Xizhi Dist., New Taipei City 221, Taiwan Tel.: +886 2 2696 1668(REP) Fax: +886 2 2696 2668	T036	NAME	DATE	SCALE: NTS	REV NO	DATE	DESCRIPTION	BY	CHECKED	TOLERANCE UNLESS NOTED	
	DRAWN	YXF	2008. 10. 08	UNIT: mm(in.)	A	2023. 08. 22	ADJUST DIMENSIONS REVISE CONDUCTOR MATERIAL CHANGE PART NO.	RALF	JUDY	LINEAR±	.0 ±0.30(.012)
	CHECKED	PIQI	2008. 10. 08	CAD NO	B						.00 ±0.20(.008)
	APPROVED	MARS	2008. 10. 08	R3600-04M-T18-L <span style="color:red">▲</span>	C						.000±0.10(.004)
PART NO	R3600-04M-T18-L <span style="color:red">▲</span>								PROJECTION:		

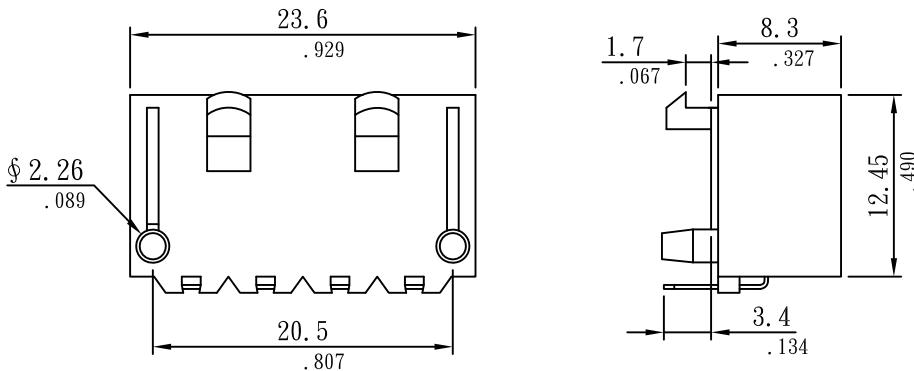
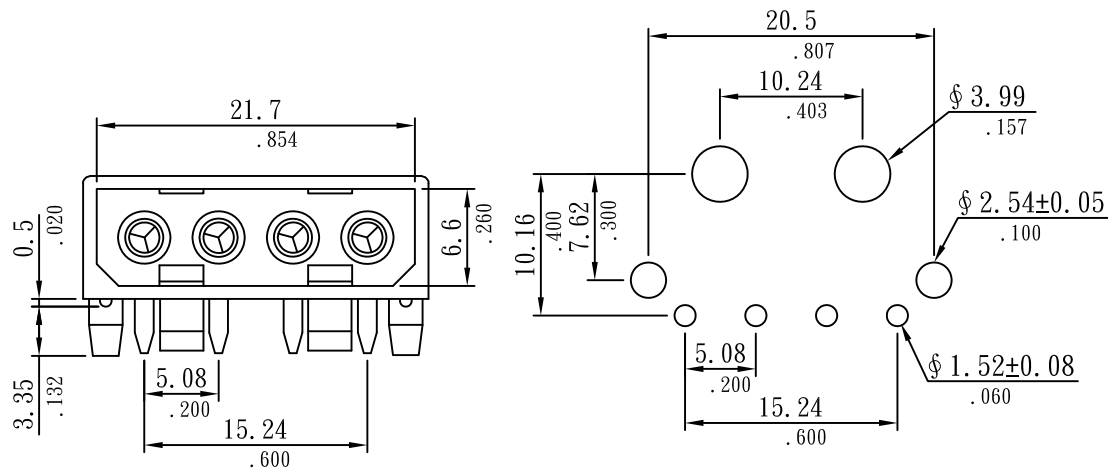
# 5.08mm(.200") POWER PLUG 90°

## MATERIAL

Insulator: Nylon 66 UL 94V-2  
 Color: Natural  
 Contact: Phosphor bronz  
 Plating: Tin plated

## SPECIFICATIONS

Temperature range: -40°C ~ +105°C  
 Current rating: 6.5A  
 Voltage rating: 250V AC  
 Dielectric withstand voltage: 1500V AC  
 Insulation resistance: 500 MΩ Min.  
 Contact resistance: 0.01Ω Max.  
 Mates with S. Y. E. R3600 Housing

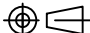


## Order Information

R 3601-04 T R  
 1 2 3 4 5

1. RoHS
2. Series No.
3. Pin No.
4. Tin plated
5. Right angle

 Sunny Young Enterprise Co., Ltd.  
 S. Y. E. <http://www.sunnyyoung.com.tw>  
 13F., No. 116, Sec. 1, Xintai 5th Rd., Xizhi Dist., New Taipei City 221, Taiwan  
 Tel: +886 2 2696 1668(REP) Fax: +886 2 2696 2668

M044	NAME	DATE	SCALE: NTS	REV NO	DATE	DESCRIPTION	BY	CHECKED	TOLERANCE UNLESS NOTED	
DRAWN	YXF	2009.08.29	UNIT: mm(in.)	A					LINEAR±	.0 ±0.30(.012)
CHECKED	PIQI	2009.08.29	CAD NO	B				.00 ±0.20(.008)		
APPROVED	MARS	2009.08.29	R3601-04TR	C				.000±0.10(.004)		
PART NO		R3601-04TR								PROJECTION: 

# 5.08mm(.200") POWER PLUG 180°

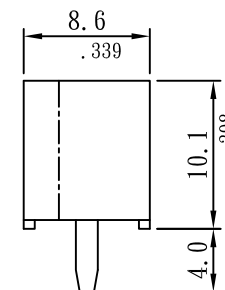
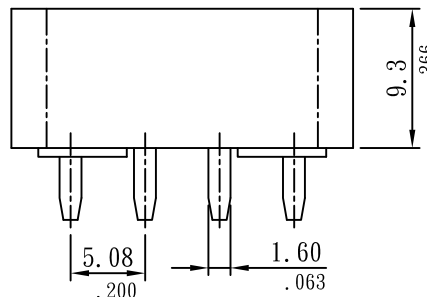
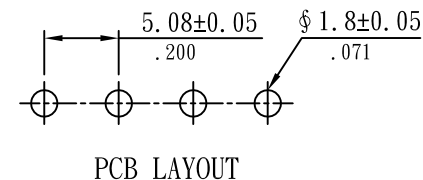
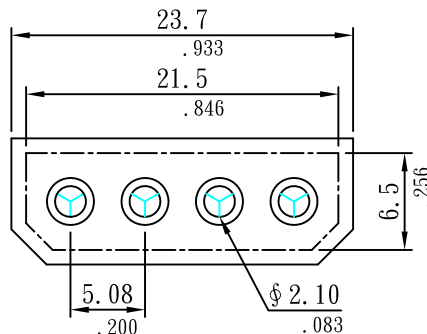
## MATERIAL

Insulator: Nylon 66 UL 94V-2  
 Color: Natural  
 Contact: Brass  
 Plating: Tin plated

## SPECIFICATIONS

Temperature range: -25°C ~ +85°C  
 Current rating: 5.0A  
 Voltage rating: 250V AC  
 Dielectric withstand voltage: 1500V AC  
 Insulation resistance: 1000 MΩ Min.  
 Contact resistance: 0.01Ω Max.

Mates with S.Y.E R3600 Housing



## Order Information

R 3601-04 T S  
 I 2 3 4 5

1. RoHS
2. Series No.
3. Pin No.
4. Tin plated
5. Straight angle

**S.Y.E.** Sunny Young Enterprise Co., Ltd.  
 S.Y.E. <http://www.sunnyyoung.com.tw>  
 13F., No. 116, Sec. 1, Xintai 5th Rd., Xizhi Dist., New Taipei City 221, Taiwan  
 Tel: +886 2 2696 1668(REP) Fax: +886 2 2696 2668

S003	NAME	DATE	SCALE: NTS	REV NO	DATE	DESCRIPTION	BY	CHECKED	TOLERANCE UNLESS NOTED	
DRAWN	YXF	2009.01.12	UNIT: mm(in.)	A					LINEAR±	.0 ±0.30(.012)
CHECKED	PIQI	2009.01.12	CAD NO	B				.00 ±0.20(.008)		
APPROVED	MARS	2009.01.12	R3601-04TS	C				.000±0.10(.004)		
PART NO R3601-04TS										PROJECTION: