

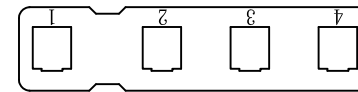
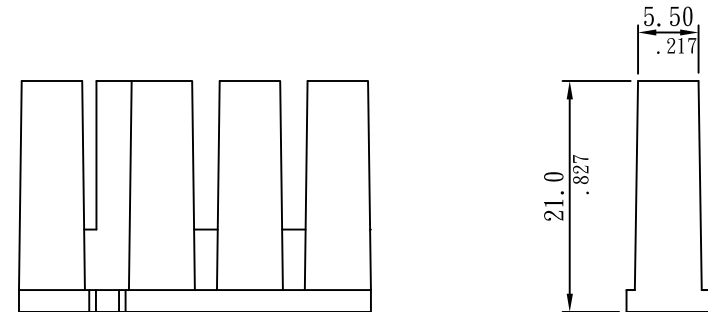
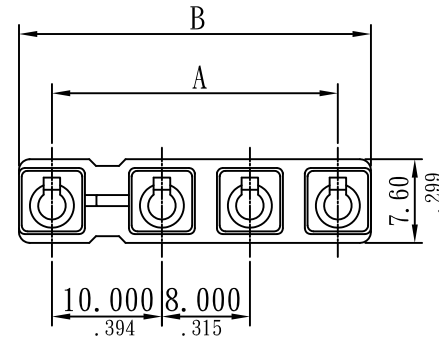
10.00mm-8.00mm(.394"-.315") HOUSING

MATERIAL

Insulator: NYLON 66 UL 94V-2
Color: Black

SPECIFICATIONS

Temperature range: -25°C ~ +85°C
Current rating: 5.0A AC/DC
Voltage rating: 250V AC/DC
Dielectric withstand voltage: 1000V AC
Insulation resistance: 1000 MΩ Min.
Mates with S.Y.E. R3443 Terminal
Mates with S.Y.E. R3441 Wafer(Headers)



Order Information

R 3440-xxP
1 2 3

1. RoHS
2. Series No.
3. Pin No.

Dimensional Information

Circuits	Dim. A	Dim. B
1	—	7.2(0.283)
2	10.00(0.394)	16.0(0.630)
3	18.00(0.709)	24.3(0.957)
4	26.00(1.024)	32.0(1.260)
5	34.00(1.339)	40.0(1.575)
6	42.00(1.654)	48.4(1.906)



Sunny Young Enterprise Co., Ltd.

S. Y. E. <http://www.sunnyyoung.com.tw>

13F., No. 116, Sec. 1, Xintai 5th Rd., Xizhi Dist., New Taipei City 221, Taiwan

Tel: +886 2 2696 1668(REP) Fax: +886 2 2696 2668

PART NO

R3440-xxP

T017	NAME	DATE	SCALE: 1:1.5	REV NO	DATE	DESCRIPTION	BY	CHECKED	TOLERANCE UNLESS NOTED	
DRAWN	STEVEN	2013. 11. 08	UNIT: mm(in.)	A					LINEAR±	.0 ±0.30(.012)
CHECKED	SEAN	2013. 11. 08	CAD NO	B						.00 ±0.20(.008)
APPROVED	TINA	2013. 11. 14	R3440-xxP	C						.000±0.10(.004)
									PROJECTION:	

10.00mm-8.00mm(.394"-.315") HEADER 180°

MATERIAL

Insulator: Bakelite
 Color: Black
 Contact: Brass
 Plating: Tin plated 40u"

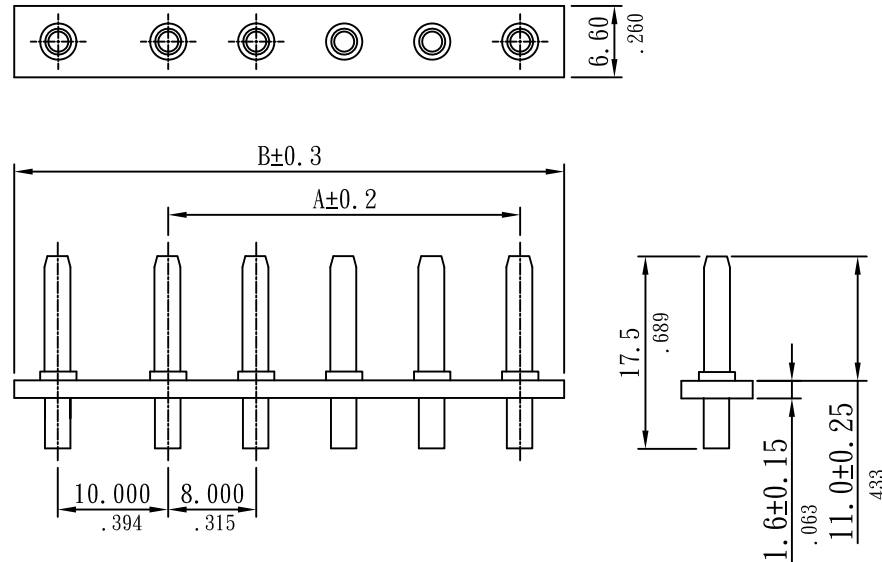
SPECIFICATIONS

Temperature range: -25°C ~ +85°C
 Current rating: 5.0A
 Voltage rating: 250V AC
 Dielectric withstand voltage: 1000V AC
 Insulation resistance: 1000 MΩ Min.
 Mates with S. Y. E R3440-xxP Housing

Order Information

R 3441-xx T S
 1 2 3 4 5

1. RoHS
2. Series No.
3. Pin No.
4. Tin plated
5. Straight angle



Dimensional Information

Circuits	Dim. A	Dim. B
1	—	—
2	10.00(0.394)	18.60(0.732)
3	18.00(0.709)	26.00(1.024)
4	26.00(1.024)	34.00(1.339)
5	34.00(1.339)	42.00(1.654)
6	42.00(1.654)	50.00(1.969)



Sunny Young Enterprise Co., Ltd.

S. Y. E. <http://www.sunnyyoung.com.tw>

13F., No. 116, Sec. 1, Xintai 5th Rd., Xizhi Dist., New Taipei City 221, Taiwan

Tel: +886 2 2696 1668(REP) Fax: +886 2 2696 2668

PART NO

R3441-xxTS

T017	NAME	DATE	SCALE: NTS	REV NO	DATE	DESCRIPTION	BY	CHECKED	TOLERANCE UNLESS NOTED	
DRAWN	YXF	2009.02.17	UNIT: mm(in.)	A					LINEAR±	.0 ±0.30(.012)
CHECKED	PIQI	2009.02.17	CAD NO	B						.00 ±0.20(.008)
APPROVED	MARS	2009.02.17	R3441-xxTS	C						.000±0.10(.004)
										PROJECTION:

10.00mm~8.00mm(.394"~.315") TERMINAL

MATERIAL

Material: Brass
 Plating: Tin plated
 Applicable PCB thickness: 1.60mm
 Recommended PCB hole diameter: $\phi 2.46 \pm 0.05\text{mm}$

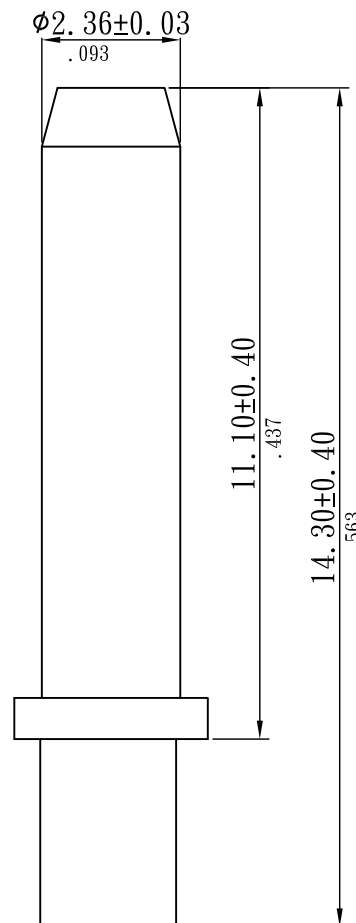
SPECIFICATIONS


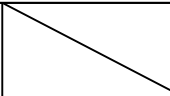
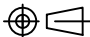
Temperature range: $-25^{\circ}\text{C} \sim +85^{\circ}\text{C}$
 Current rating: 5.0A AC/DC
 Voltage rating: 250V AC/DC
 Dielectric withstand voltage: 1000V AC/minute
 Insulation resistance: 1000 M Ω Min.
 Contact resistance: 0.02 Ω Max.
 Mates with S.Y.E R3440-xxP Housing

Order Information

R 3441-B T
 1 2 3 4

1. RoHS
2. Series No.
3. Brass
4. Tin plated



 Sunny Young Enterprise Co., Ltd. S.Y.E. http://www.sunnyyoung.com.tw 13F., No. 116, Sec. 1, Xintai 5th Rd., Xizhi Dist., New Taipei City 221, Taiwan Tel: +886 2 2696 1668(REP) Fax: +886 2 2696 2668	T017	NAME	DATE	SCALE: 8:1	REV NO	DATE	DESCRIPTION	BY	CHECKED	TOLERANCE UNLESS NOTED
	DRAWN	RALF	2023.05.12	UNIT: mm(in.)	A					LINEAR± 
	CHECKED	DEAN	2023.05.12	CAD NO	B					
PART NO	R3441-BT	APPROVED	JUDY	2023.05.16	R3441-BT	C				PROJECTION: 

10.00mm~8.00mm(.394"~.315") TERMINAL

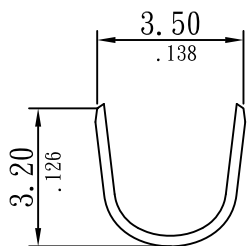
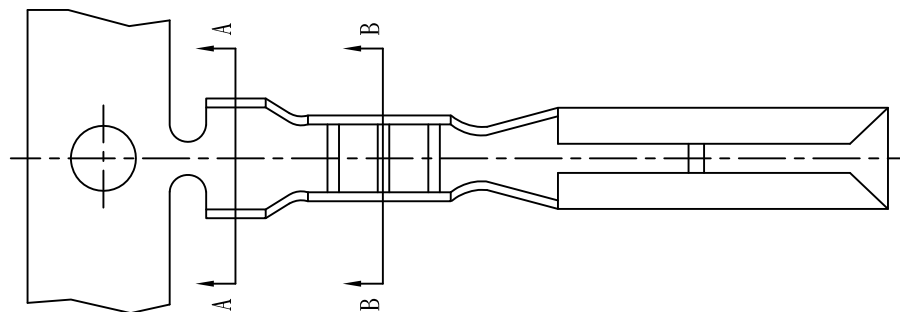
SPECIFICATION

Material : Brass
 Thickness : 0.25mm
 Plating: Tin plated
 Applicable wire: AWG 18~AWG 26
 Insulation O.D. : 2.50mm Max.
 Used in S.Y.E. R3440-xxP Housing

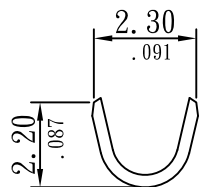
Order Information

R 3443-B T
 1 2 3 4

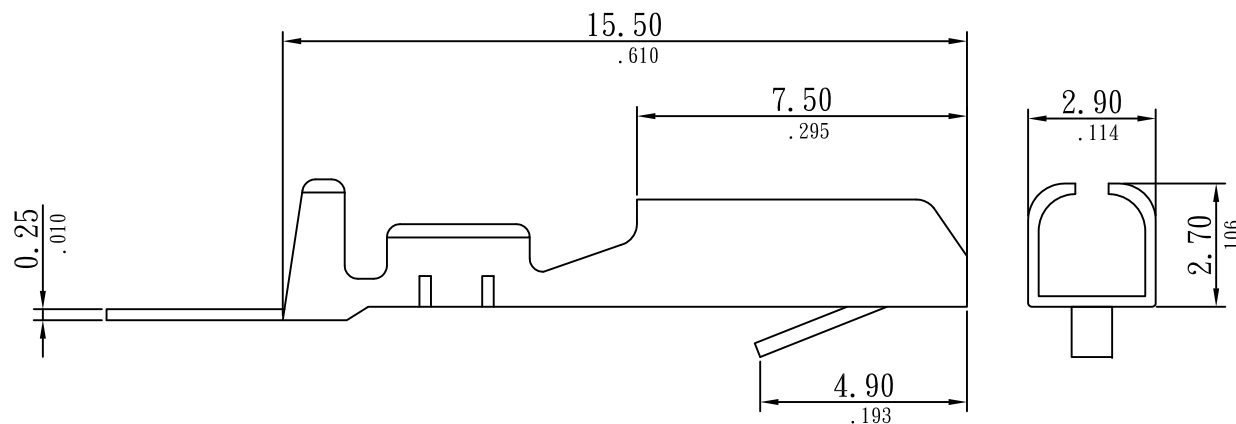
1. RoHS
2. Series No.
3. Brass
4. Tin plated



SECTION A-A



SECTION B-B



S.Y.E. Sunny Young Enterprise Co., Ltd.
 S. Y. E. <http://www.sunnyyoung.com.tw>
 13F., No. 116, Sec. 1, Xintai 5th Rd., Xizhi Dist., New Taipei City 221, Taiwan
 Tel: +886 2 2696 1668(REP) Fax: +886 2 2696 2668

T017	NAME	DATE	SCALE: NTS	REV NO	DATE	DESCRIPTION	BY	CHECKED	TOLERANCE UNLESS NOTED	
DRAWN	PC	2012. 09. 14	UNIT: mm(in.)	A					LINEAR±	.0 ±0.30(.012)
CHECKED			CAD NO	B				.00 ±0.20(.008)		
APPROVED	TINA	2012. 09. 14	R3443-BT	C				.000±0.10(.004)		
PART NO	R3443-BT								PROJECTION:	