

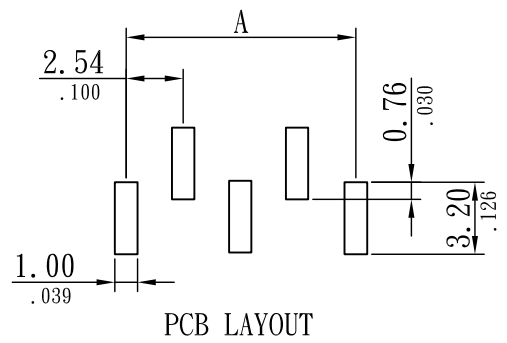
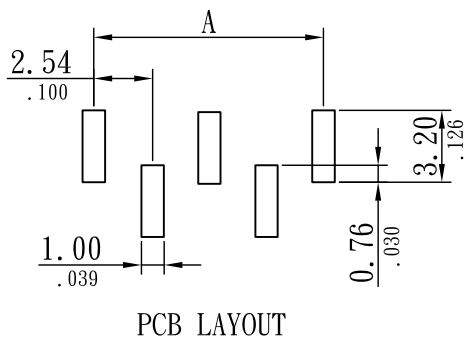
2.54mm(.100") ROUND PIN SIP SOCKET SMT TYPE

MATERIAL

Insulator: PPS UL 94V-0
 Color: Black
 Contact: Copper alloy
 Plating: Selective gold plating

SPECIFICATIONS

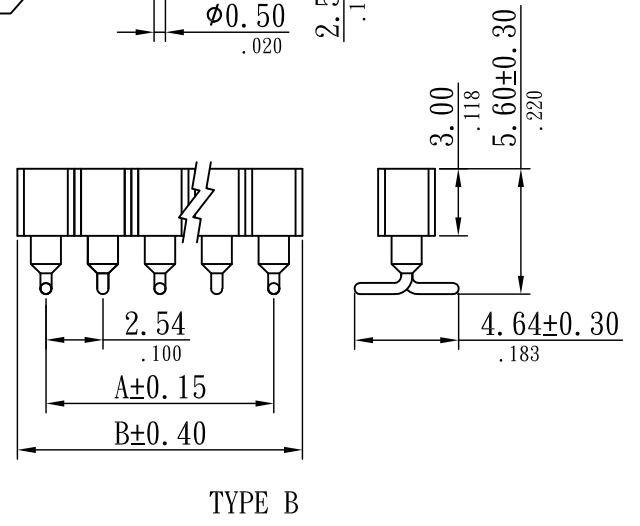
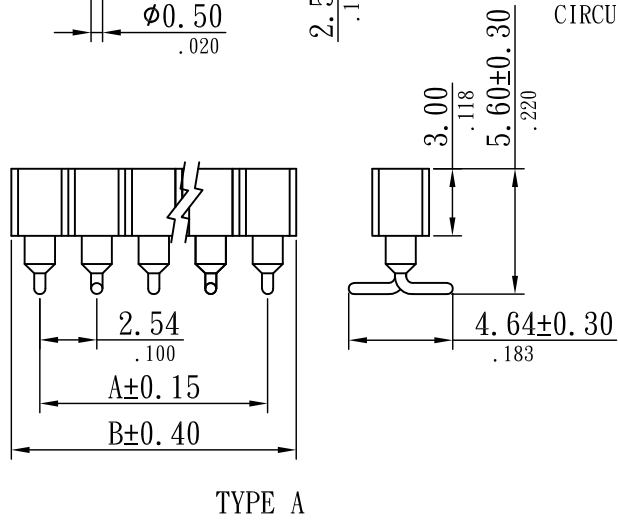
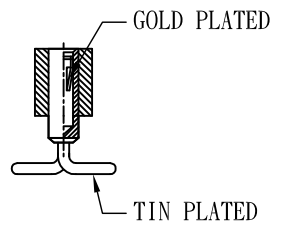
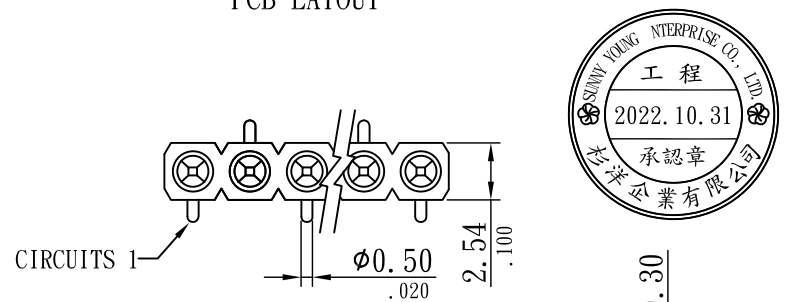
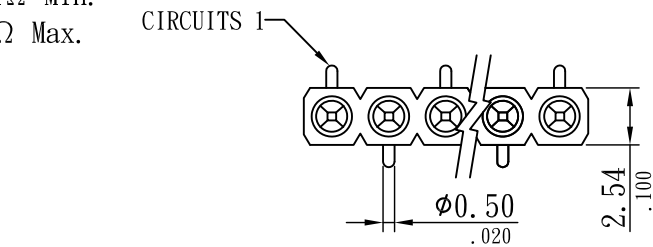
Temperature range: -40°C ~ +105°C
 Current rating: 3.0A
 Voltage rating: 60V AC/DC
 Insulation resistance: 1000 MΩ Min.
 Contact resistance: 0.04 Ω Max.



Order Information

R 3312-xx H S-SMT-xx-x
 1 2 3 4 5 6 7 8

1. RoHS
2. Series No.
3. Pin No.
4. Selective gold plated
5. Straight angle
6. SMT type
7. Blank: Type A foot print
01: Type B foot print
8. Package:
Blank: Tube
R: Reel




S.Y.E. Sunny Young Enterprise Co., Ltd.
 S. Y. E. <http://www.sunnyyoung.com.tw>
 13F., No. 116, Sec. 1, Xintai 5th Rd., Xizhi Dist., New Taipei City 221, Taiwan
 Tel: +886 2 2696 1668(REP) Fax: +886 2 2696 2668

M170	NAME	DATE	SCALE: NTS	REV NO	DATE	DESCRIPTION	BY	CHECKED	TOLERANCE UNLESS NOTED	
DRAWN	RALF	2022. 10. 31	UNIT: mm(in.)	A					LINEAR±	.0 ±0.15(.006)
CHECKED	DEAN	2022. 10. 31	CAD NO	B				.00 ±0.10(.004)		
APPROVED	APPLE	2022. 10. 31	R3312-xxHS-SMT-xx-x	C				.000±0.05(.002)		
PART NO	R3312-xxHS-SMT-xx-x								PROJECTION:	

Dimensional Information

Circuits	DIM. A		DIM. B		Circuits	DIM. A		DIM. B		Circuits	DIM. A		DIM. B	
	mm	in	mm	in		mm	in	mm	in		mm	in	mm	in
2	2.54	0.100	5.08	0.200	15	35.56	1.400	38.10	1.500	28	68.58	2.700	71.12	2.800
3	5.08	0.200	7.62	0.300	16	38.10	1.500	40.64	1.600	29	71.12	2.800	73.66	2.900
4	7.62	0.300	10.16	0.400	17	40.64	1.600	43.18	1.700	30	73.66	2.900	76.20	3.000
5	10.16	0.400	12.70	0.500	18	43.18	1.700	45.72	1.800	31	76.20	3.000	78.74	3.100
6	12.70	0.500	15.24	0.600	19	45.72	1.800	48.26	1.900	32	78.74	3.100	81.28	3.200
7	15.24	0.600	17.78	0.700	20	48.26	1.900	50.80	2.000	33	81.28	3.200	83.82	3.300
8	17.78	0.700	20.32	0.800	21	50.80	2.000	53.34	2.100	34	83.82	3.300	86.36	3.400
9	20.32	0.800	22.86	0.900	22	53.34	2.100	55.88	2.200	35	86.36	3.400	88.90	3.500
10	22.86	0.900	25.40	1.000	23	55.88	2.200	58.42	2.300	36	88.90	3.500	91.44	3.600
11	25.40	1.000	27.94	1.100	24	58.42	2.300	60.96	2.400	37	91.44	3.600	93.98	3.700
12	27.94	1.100	30.48	1.200	25	60.96	2.400	63.50	2.500	38	93.98	3.700	96.52	3.800
13	30.48	1.200	33.02	1.300	26	63.50	2.500	66.04	2.600	39	96.52	3.800	99.06	3.900
14	33.02	1.300	35.56	1.400	27	66.04	2.600	68.58	2.700	40	99.06	3.900	101.60	4.000



 Sunny Young Enterprise Co., Ltd. S. Y. E. http://www.sunnyyoung.com.tw 13F., No. 116, Sec. 1, Xintai 5th Rd., Xizhi Dist., New Taipei City 221, Taiwan Tel: +886 2 2696 1668(REP) Fax: +886 2 2696 2668	M170	NAME	DATE	SCALE: NTS	REV NO	DATE	DESCRIPTION	BY	CHECKED	TOLERANCE UNLESS NOTED	
	DRAWN	RALF	2022. 10. 31	UNIT: mm(in.)	A					LINEAR±	.0 ±0.15(.006)
	CHECKED	DEAN	2022. 10. 31	CAD NO	B						.00 ±0.10(.004)
	APPROVED	APPLE	2022. 10. 31	R3312-xxHS-SMT-xx-x	C						.000±0.05(.002)
PART NO	R3312-xxHS-SMT-xx-x									PROJECTION: 