

# 3.96mm(.156") SLOT SOLDER TYPE

## MATERIAL

Insulator: PBT+GF UL 94V-0  
 Color: Blue  
 Contact: Phosphor bronze or Brass  
 Plating: Gold over nickel

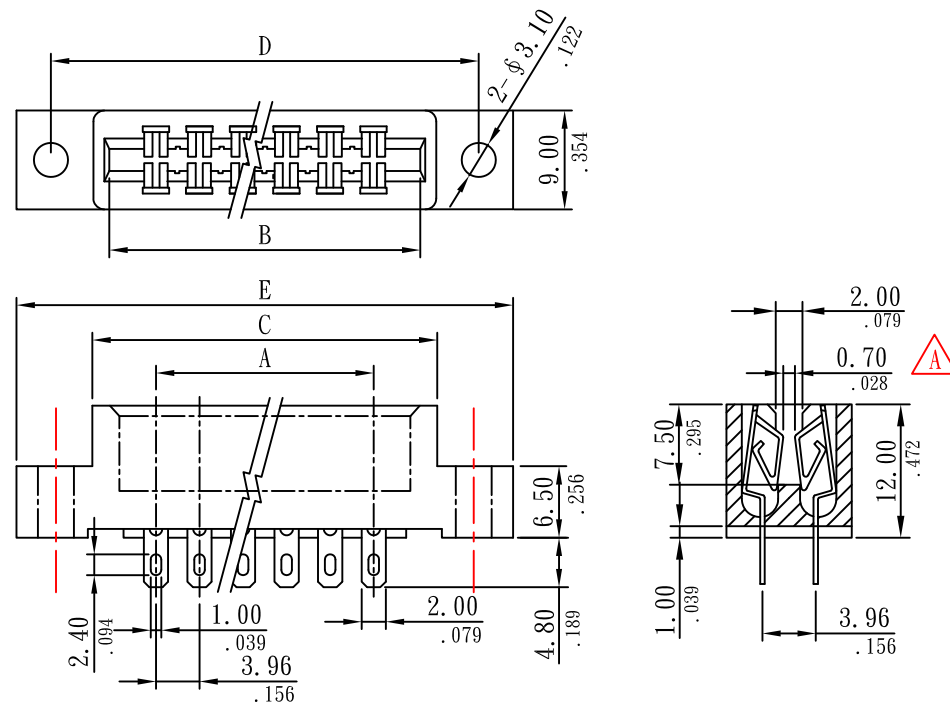
## SPECIFICATIONS

Temperature range: -40°C ~ +105°C  
 Current rating: 3.0A  
 Dielectric withstand voltage: 500V AC  
 Insulation resistance: 5000 MΩ Min.  
 Contact resistance: 0.02Ω Max.

## Order Information

R 3230-xxP  
 1 2 3

1. RoHS
2. Series No.
3. Pin No.



## Dimensional Information

Circuit	Dim. A	Dim. B	Dim. C	Dim. D	Dim. E	Circuit	Dim. A	Dim. B	Dim. C	Dim. D	Dim. E
10	15.84(0.624)	24.06(0.947)	27.40(1.079)	34.94(1.376)	41.24(1.624)	44	83.16(3.274)	91.38(3.598)	94.72(3.729)	102.26(4.026)	108.56(4.274)
12	19.80(0.780)	28.02(1.103)	31.36(1.235)	38.90(1.531)	45.20(1.780)	46	87.12(3.430)	95.34(3.754)	98.68(3.885)	106.22(4.182)	112.52(4.430)
16	27.72(1.091)	35.94(1.415)	39.28(1.546)	46.82(1.843)	53.12(2.091)	50	95.04(3.742)	103.26(4.065)	106.60(4.197)	114.14(4.494)	120.44(4.742)
20	35.64(1.403)	43.86(1.727)	47.20(1.858)	54.74(2.155)	61.04(2.403)	56	106.92(4.209)	115.14(4.533)	118.48(4.665)	126.02(4.961)	132.32(5.209)
24	43.56(1.715)	51.78(2.039)	55.12(2.170)	62.66(2.467)	68.96(2.715)	60	114.84(4.521)	123.06(4.845)	126.40(4.976)	133.94(5.273)	140.24(5.521)
26	47.52(1.871)	55.74(2.194)	59.08(2.326)	66.62(2.623)	72.92(2.871)	62	118.80(4.677)	127.02(5.001)	130.36(5.132)	137.90(5.429)	144.20(5.677)
28	51.48(2.027)	59.70(2.350)	63.04(2.482)	70.58(2.779)	76.88(3.027)	64	122.76(4.833)	130.98(5.157)	134.32(5.288)	141.86(5.585)	148.16(5.833)
30	55.44(2.183)	63.66(2.506)	67.00(2.638)	74.54(2.935)	80.84(3.183)	70	134.64(5.301)	142.86(5.624)	146.20(5.756)	153.74(6.053)	160.04(6.301)
32	59.40(2.339)	67.62(2.662)	70.96(2.794)	78.50(3.091)	84.80(3.339)	72	138.60(5.457)	146.82(5.780)	150.16(5.912)	157.70(6.209)	164.00(6.457)
36	67.32(2.650)	75.54(2.974)	78.88(3.106)	86.42(3.402)	92.72(3.650)	80	154.44(6.080)	162.66(6.404)	166.00(6.535)	173.54(6.832)	179.84(7.080)
40	75.24(2.962)	83.46(3.286)	86.80(3.417)	94.34(3.714)	100.64(3.962)	86	166.32(6.548)	174.54(6.872)	177.88(7.003)	185.42(7.300)	191.72(7.548)



Sunny Young Enterprise Co., Ltd.

S. Y. E. <http://www.sunnyyoung.com.tw>

13F., No. 116, Sec. 1, Xintai 5th Rd., Xizhi Dist., New Taipei City 221, Taiwan

Tel: +886 2 2696 1668(REP) Fax: +886 2 2696 2668

M121	NAME	DATE	SCALE: NTS	REV NO	DATE	DESCRIPTION	BY	CHECKED	TOLERANCE UNLESS NOTED	
DRAWN	PC	2012. 11. 23	UNIT: mm(in.)	A					LINEAR±	0-10 ±0.20(.008)
CHECKED			CAD NO	B						10-30 ±0.30(.012)
APPROVED	TINA	2012. 11. 23	R3230-xxP	C						30-100 ±0.40(.016)
										100-300 ±0.50(.020)

PART NO R3230-xxP

PROJECTION: