

3.96mm(.156") CARD EDGE SLOT STRADDLE MOUNT TYPE

MATERIAL

Insulator: PBT+GF UL 94V-0
 Color: Blue
 Contact: Copper alloy $\triangle A$
 Plating: Gold over nickel $\triangle A$

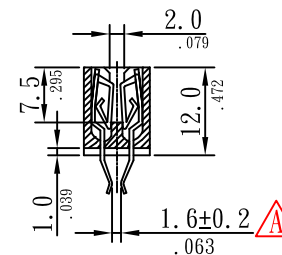
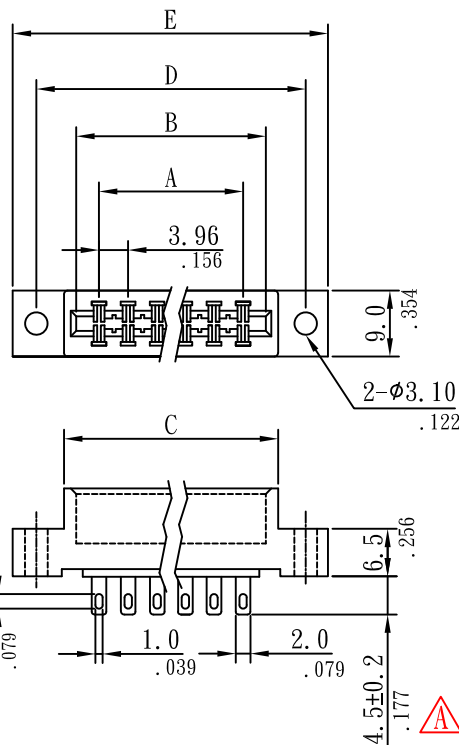
SPECIFICATIONS

Temperature range: $-40^{\circ}\text{C} \sim +85^{\circ}\text{C}$ $\triangle A$
 Current rating: 3.0A
 Dielectric withstand voltage: 500V AC/minute
 Insulation resistance: 5000 M Ω Min.
 Contact resistance: 0.02 Ω Max.

Order Information

R 3230-xxP-PCB
 1 2 3 4

1. RoHS
2. Series No.
3. Pin No.
4. PCB Type



Dimensional Information

Circuits	DIM. A		DIM. B		DIM. C		DIM. D		DIM. E		Circuits	DIM. A		DIM. B		DIM. C		DIM. D		DIM. E	
	mm	in	mm	in	mm	in	mm	in	mm	in		mm	in	mm	in	mm	in	mm	in	mm	in
10	15.84	0.624	24.06	0.947	27.40	1.079	34.94	1.376	41.24	1.624	44	83.16	3.274	91.38	3.598	94.72	3.729	102.26	4.026	108.56	4.274
12	19.80	0.780	28.02	1.103	31.36	1.235	38.90	1.531	45.20	1.780	46	87.12	3.430	95.34	3.754	98.68	3.885	106.22	4.182	112.52	4.430
16	27.72	1.091	35.94	1.415	39.28	1.546	46.82	1.843	53.12	2.091	50	95.04	3.742	103.26	4.065	106.60	4.197	114.14	4.494	120.44	4.742
20	35.64	1.403	43.86	1.727	47.20	1.858	54.74	2.155	61.04	2.403	56	106.92	4.209	115.14	4.533	118.48	4.665	126.02	4.961	132.32	5.209
22	39.60	1.559	47.82	1.883	51.16	2.014	58.70	2.311	65.00	2.559	60	114.84	4.521	123.06	4.845	126.40	4.976	133.94	5.273	140.24	5.521
24	43.56	1.715	51.78	2.039	55.12	2.170	62.66	2.467	68.96	2.715	62	118.80	4.677	127.02	5.001	130.36	5.132	137.90	5.429	144.20	5.677
28	51.48	2.027	59.70	2.350	63.04	2.482	70.58	2.779	76.88	3.027	64	122.76	4.833	130.98	5.157	134.32	5.288	141.86	5.585	148.16	5.833
30	55.44	2.183	63.66	2.506	67.00	2.638	74.54	2.935	80.84	3.183	70	134.64	5.301	142.86	5.624	146.20	5.756	153.74	6.053	160.04	6.301
32	59.40	2.339	67.62	2.662	70.96	2.794	78.50	3.091	84.80	3.339	72	138.60	5.457	146.82	5.780	150.16	5.912	157.70	6.209	164.00	6.457
36	67.32	2.650	75.54	2.974	78.88	3.106	86.42	3.402	92.72	3.650	86	166.32	6.548	174.54	6.872	177.88	7.003	185.42	7.300	191.48	7.539
40	75.24	2.962	83.46	3.286	86.80	3.417	94.34	3.714	100.64	3.962											

Sunny Young Enterprise Co., Ltd.
 S. Y. E. <http://www.sunnyyoung.com.tw>
 13F., No. 116, Sec. 1, Xintai 5th Rd., Xizhi Dist., New Taipei City 221, Taiwan
 Tel: +886 2 2696 1668(REP) Fax: +886 2 2696 2668

M121	NAME	DATE	SCALE: NTS	REV NO	DATE	DESCRIPTION	BY	CHECKED	TOLERANCE UNLESS NOTED
DRAWN	CSH	2015.07.15	UNIT: mm(in.)	A	2023.04.14	1. DIMENSIONAL CORRECTION 2. ELECTROPLATING CORRECTION 3. MATERIAL ADJUSTMENT	RALF	APPLE	0-10 ± 0.20 (.008) 10-30 ± 0.30 (.012) 30-100 ± 0.40 (.016) 100-300 ± 0.50 (.020)
CHECKED	SONIA	2015.07.15	CAD NO	B					
APPROVED	SEAN	2015.07.15	R3230-xxP-PCB	C					PROJECTION:

PART NO R3230-xxP-PCB