

3.96mm(.156") SLOT SOLDER TYPE

MATERIAL

Insulator: PBT+GF UL 94V-0
 Color: Blue
 Contact: Phosphor bronze or Brass
 Plating: Gold over nickel

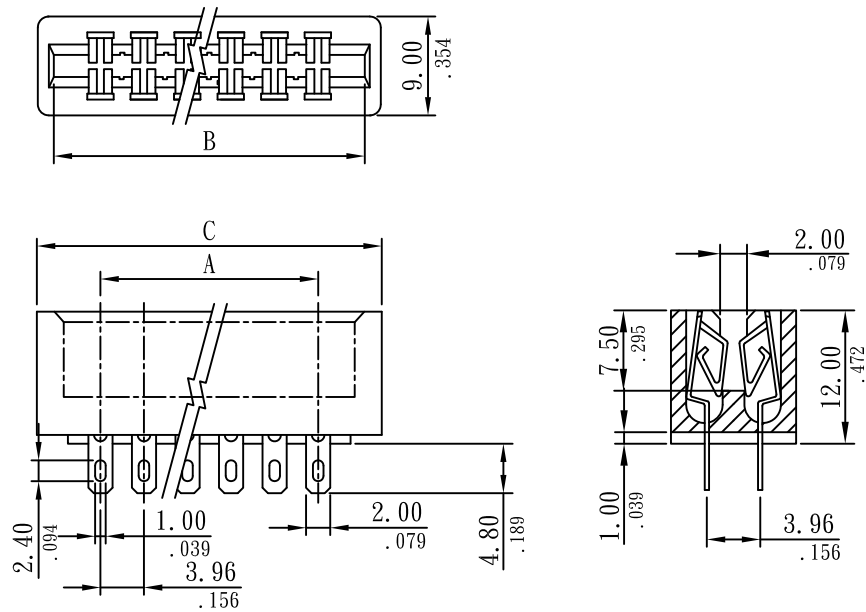
SPECIFICATIONS

Temperature range: -40°C ~ +105°C
 Current rating: 3.0A
 Dielectric withstand voltage: 500V AC
 Insulation resistance: 5000 MΩ Min.
 Contact resistance: 0.02Ω Max.

Order Information

R $\frac{3230-xxP-N}{1 \quad 2 \quad 3 \quad 4}$

1. RoHS
2. Series No.
3. Pin No.
4. Without ear



Dimensional Information

Circuit	Dim. A	Dim. B	Dim. C	Circuit	Dim. A	Dim. B	Dim. C
10	15.84(0.624)	24.06(0.947)	27.40(1.079)	40	75.24(2.962)	83.46(3.286)	86.80(3.417)
12	19.80(0.780)	28.02(1.103)	31.36(1.235)	44	83.16(3.274)	91.38(3.598)	94.72(3.729)
16	27.72(1.091)	35.94(1.415)	39.28(1.546)	46	87.12(3.430)	95.34(3.754)	98.68(3.885)
20	35.64(1.403)	43.86(1.727)	47.20(1.858)	50	95.04(3.742)	103.26(4.065)	106.60(4.197)
24	43.56(1.715)	51.78(2.039)	55.12(2.170)	56	106.92(4.209)	115.14(4.533)	118.48(4.665)
26	47.52(1.871)	55.74(2.194)	59.08(2.326)	60	114.84(4.521)	123.06(4.845)	126.40(4.976)
28	51.48(2.027)	59.70(2.350)	63.04(2.482)	62	118.80(4.677)	127.02(5.001)	130.36(5.132)
30	55.44(2.183)	63.66(2.506)	67.00(2.638)	64	122.76(4.833)	130.98(5.157)	134.32(5.288)
32	59.40(2.339)	67.62(2.662)	70.96(2.794)	70	134.64(5.301)	142.86(5.624)	146.20(5.756)
36	67.32(2.650)	75.54(2.974)	78.88(3.106)	72	138.60(5.457)	146.82(5.780)	150.16(5.912)



Sunny Young Enterprise Co., Ltd.

S. Y. E. <http://www.sunnyyoung.com.tw>

13F., No. 116, Sec. 1, Xintai 5th Rd., Xizhi Dist., New Taipei City 221, Taiwan

Tel: +886 2 2696 1668(REP) Fax: +886 2 2696 2668

M121	NAME	DATE	SCALE: NTS	REV NO	DATE	DESCRIPTION	BY	CHECKED	TOLERANCE UNLESS NOTED
DRAWN	Ralf	2019.03.15	UNIT: mm(in.)	A					LINEAR± 0-10 ±0.20(.008) 10-30 ±0.30(.012) 30-100 ±0.40(.016) 100-300±0.50(.020)
CHECKED	EASON	2019.03.20	CAD NO	B					
PART NO	R3230-xxP-N	APPROVED	APPLE	2019.03.21	R3230-xxP-N	C			PROJECTION: