

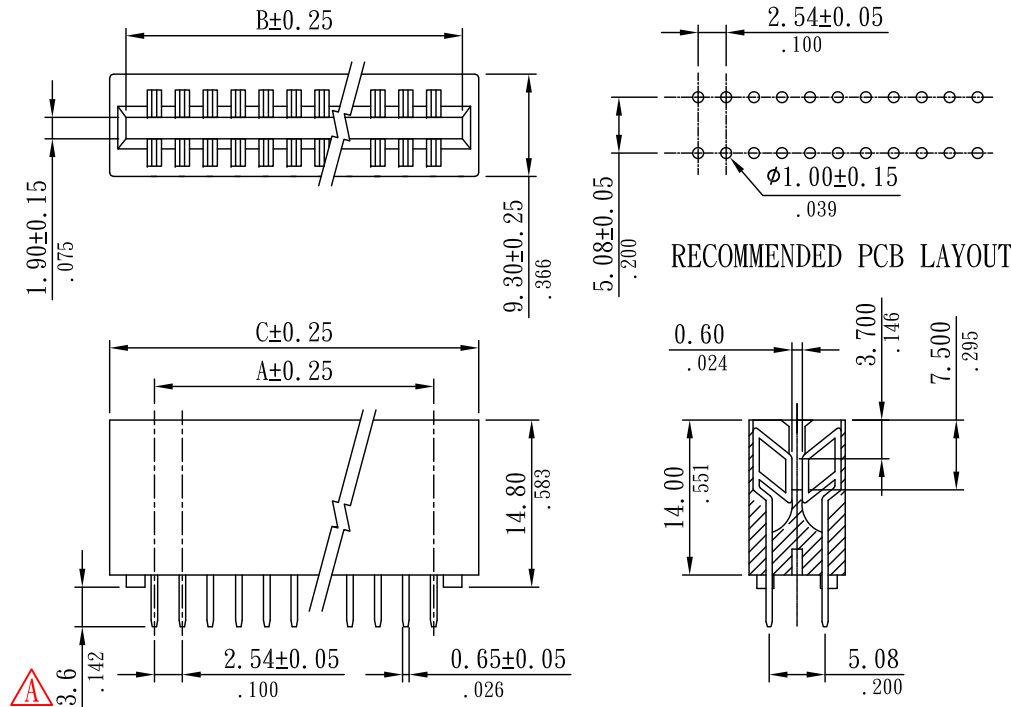
# 2.54mm(.100") CARD EDGE SLOT 180° TYPE

## MATERIAL

Insulator: Glass-reinforced thermoplastic  
 Color: Black  
 Contact: Brass  
 Plating: Gold plated on mating area  
 Tin plated on solder area  
 Nickel underplated overall

## SPECIFICATIONS

Temperature range: -55°C ~ +85°C (PBT) ▲  
 -55°C ~ +105°C (Nylon 9T) ▲  
 Current rating: 3.0A  
 Dielectric withstand voltage: 1000V AC/minute  
 Insulation resistance: 5000 MΩ Min.  
 Contact resistance: 0.02 Ω Max.



Dimensional Information

## Order Information

R 3210-xxxP S-xxxx  
 1 2 3 4 5

1. RoHS
2. Series No.
3. Pin No.
4. Straight angle
5. Material:  
 Blank=PBT  
 NY9T=Nylon 9T

Circuits	DIM. A		DIM. B		DIM. C		Circuits	DIM. A		DIM. B		DIM. C	
	mm	in	mm	in	mm	in		mm	in	mm	in	mm	in
4	2.54	0.100	8.12	0.320	11.68	0.460	44	53.34	2.100	58.92	2.320	62.48	2.460
6	5.08	0.200	10.66	0.420	14.22	0.560	46	55.88	2.200	61.46	2.420	65.02	2.560
8	7.62	0.300	13.20	0.520	16.76	0.660	48	58.42	2.300	64.00	2.520	67.56	2.660
10	10.16	0.400	15.74	0.620	19.30	0.760	50	60.96	2.400	66.54	2.620	70.10	2.760
12	12.70	0.500	18.28	0.720	21.84	0.860	52	63.50	2.500	69.08	2.720	72.64	2.860
14	15.24	0.600	20.82	0.820	24.38	0.960	54	66.04	2.600	71.62	2.820	75.18	2.960
16	17.78	0.700	23.36	0.920	26.92	1.060	56	68.58	2.700	74.16	2.920	77.72	3.060
18	20.32	0.800	25.90	1.020	29.46	1.160	58	71.12	2.800	76.70	3.020	80.26	3.160
20	22.86	0.900	28.44	1.120	32.00	1.260	60	73.66	2.900	79.24	3.120	82.80	3.260
22	25.40	1.000	30.98	1.220	34.54	1.360	62	76.20	3.000	81.78	3.220	85.34	3.360
24	27.94	1.100	33.52	1.320	37.08	1.460	64	78.74	3.100	84.32	3.320	87.88	3.460
26	30.48	1.200	36.06	1.420	39.62	1.560	66	81.28	3.200	86.86	3.420	90.42	3.560
28	33.02	1.300	38.60	1.520	42.16	1.660	68	83.82	3.300	89.40	3.520	92.96	3.660
30	35.56	1.400	41.14	1.620	44.70	1.760	70	86.36	3.400	91.94	3.620	95.50	3.760
32	38.10	1.500	43.68	1.720	47.24	1.860	72	88.90	3.500	94.48	3.720	98.04	3.860
34	40.64	1.600	46.22	1.820	49.78	1.960	80	99.06	3.900	104.64	4.120	108.20	4.260
36	43.18	1.700	48.76	1.920	52.32	2.060	86	106.68	4.200	112.26	4.420	115.82	4.560
38	45.72	1.800	51.30	2.020	54.86	2.160	100	124.46	4.900	130.04	5.120	133.60	5.260
40	48.26	1.900	53.84	2.120	57.40	2.260	120	149.86	5.900	155.44	6.120	159.00	6.260
42	50.80	2.000	56.38	2.220	59.94	2.360							



**Sunny Young Enterprise Co., Ltd.**  
 S. Y. E. <http://www.sunnyyoung.com.tw>  
 13F., No. 116, Sec. 1, Xintai 5th Rd., Xizhi Dist., New Taipei City 221, Taiwan  
 Tel: +886 2 2696 1668(REP) Fax: +886 2 2696 2668

M121	NAME	DATE	SCALE: NTS	REV NO	DATE	DESCRIPTION	BY	CHECKED	TOLERANCE UNLESS NOTED	
DRAWN	SEAN	2016.02.01	UNIT: mm(in.)	A	2023.09.06	CHANGE DIP DIMENSION TO 3.6	RALF	2023.09.06	LINEAR±	.0 ±0.30(.012)
CHECKED	CHS	2016.02.01	CAD NO	B						.00 ±0.20(.008)
APPROVED	SEAN	2016.02.01	R3210-xxxPS-xxxx	C						.000±0.10(.004)

PART NO R3210-xxxPS-xxxx

PROJECTION: