

2.54mm(.100") CARD EDGE SLOT 180°

MATERIAL

Insulator: PBT+GF UL 94V-0
 Color: Black
 Contact: Brass
 Contact Area Plating: Selective gold plated over nickel
 Solder Area Plating: Tin over nickel

SPECIFICATIONS

Temperature range: -55°C ~ +105°C
 Current rating: 3.0A
 Dielectric withstand voltage: 1000V AC
 Insulation resistance: 5000 MΩ min.
 Contact resistance: 0.02Ω max.

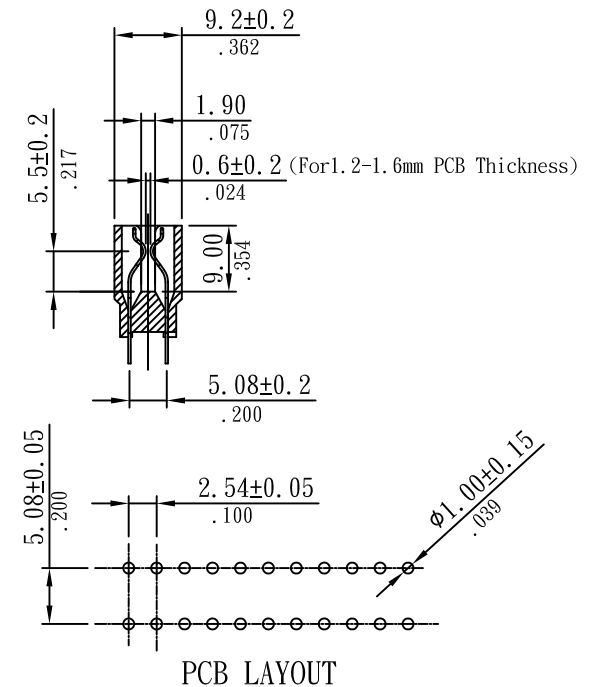
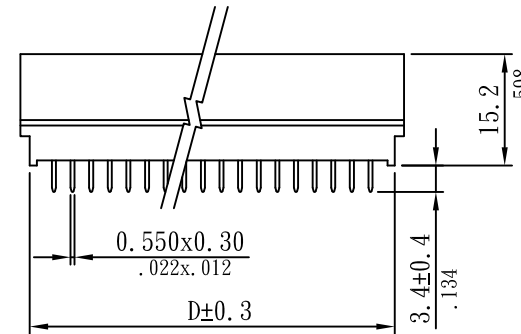
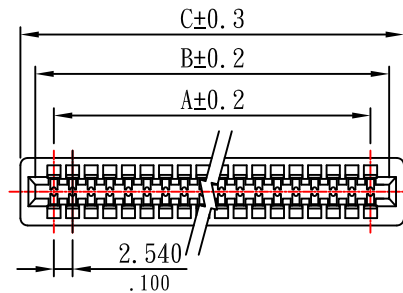
Order Information

R 3210-xxxP S-H
 1 2 3 4

1. RoHS
2. Series No.
3. Pin No.
4. Straight angle

Dimensional Information

Circuits	Dim. A	Dim. B	Dim. C	Dim. D	Circuits	Dim. A	Dim. B	Dim. C	Dim. D	Circuits	Dim. A	Dim. B	Dim. C	Dim. D
4	2.54(0.100)	7.62(0.300)	11.68(0.460)	9.58(0.377)	30	35.56(1.400)	40.64(1.600)	44.70(1.760)	42.60(1.677)	56	68.58(2.700)	73.66(2.900)	77.72(3.060)	75.62(2.977)
6	5.08(0.200)	10.16(0.400)	14.22(0.560)	12.12(0.477)	32	38.10(1.500)	43.18(1.700)	47.24(1.860)	45.14(1.777)	58	71.12(2.800)	76.20(3.000)	80.26(3.160)	78.16(3.077)
8	7.62(0.300)	12.70(0.500)	16.76(0.660)	14.66(0.577)	34	40.64(1.600)	45.72(1.800)	49.78(1.960)	47.68(1.877)	60	73.66(2.900)	78.74(3.100)	82.80(3.260)	80.70(3.177)
10	10.16(0.400)	15.24(0.600)	19.30(0.760)	17.20(0.677)	36	43.18(1.700)	48.26(1.900)	52.32(2.060)	50.22(1.977)	62	76.20(3.000)	81.28(3.200)	85.34(3.360)	83.24(3.277)
12	12.70(0.500)	17.78(0.700)	21.84(0.860)	19.74(0.777)	38	45.72(1.800)	50.80(2.000)	54.86(2.160)	52.76(2.077)	64	78.74(3.100)	83.82(3.300)	87.88(3.460)	85.78(3.377)
14	15.24(0.600)	20.32(0.800)	24.38(0.960)	22.28(0.877)	40	48.26(1.900)	53.34(2.100)	57.40(2.260)	55.30(2.177)	66	81.28(3.200)	86.36(3.400)	90.42(3.560)	88.32(3.477)
16	17.78(0.700)	22.86(0.900)	26.92(1.060)	24.82(0.977)	42	50.80(2.000)	55.88(2.200)	59.94(2.360)	57.84(2.277)	68	83.82(3.300)	88.90(3.500)	92.96(3.660)	90.86(3.577)
18	20.32(0.800)	25.40(1.000)	29.46(1.160)	27.36(1.077)	44	53.34(2.100)	58.42(2.300)	62.48(2.460)	60.38(2.377)	70	86.36(3.400)	91.44(3.600)	95.50(3.760)	93.40(3.677)
20	22.86(0.900)	27.94(1.100)	32.00(1.260)	29.90(1.177)	46	55.88(2.200)	60.96(2.400)	65.02(2.560)	62.92(2.477)	72	88.90(3.500)	93.98(3.700)	98.04(3.860)	95.94(3.777)
22	25.40(1.000)	30.48(1.200)	34.54(1.360)	32.44(1.277)	48	58.42(2.300)	63.50(2.500)	67.56(2.660)	65.46(2.577)	74	91.44(3.600)	96.52(3.800)	100.58(3.960)	98.48(3.788)
24	27.94(1.100)	33.02(1.300)	37.08(1.460)	34.98(1.377)	50	60.96(2.400)	66.04(2.600)	70.10(2.760)	68.00(2.677)	80	99.06(3.900)	104.14(4.100)	108.20(4.260)	106.10(4.177)
26	30.48(1.200)	35.56(1.400)	39.62(1.560)	37.52(1.477)	52	63.50(2.500)	68.58(2.700)	72.64(2.860)	70.54(2.777)	86	106.68(4.200)	111.76(4.400)	115.82(4.560)	113.72(4.477)
28	33.02(1.300)	38.10(1.500)	42.16(1.660)	40.06(1.577)	54	66.04(2.600)	71.12(2.800)	75.18(2.960)	73.08(2.877)	92	114.30(4.500)	119.38(4.700)	123.44(4.860)	121.34(4.777)
										98	121.92(4.800)	127.00(5.000)	131.06(5.160)	128.96(5.077)
										100	124.46(4.900)	129.54(5.100)	133.60(5.260)	131.50(5.177)



Sunny Young Enterprise Co., Ltd. S. Y. E. http://www.sunnyyoung.com.tw 13F., No. 116, Sec. 1, Xintai 5th Rd., Xizhi Dist., New Taipei City 221, Taiwan Tel:+886 2 2696 1668(REP) Fax:+886 2 2696 2668	M121	NAME	DATE	SCALE: 1:1	REV NO	DATE	DESCRIPTION	BY	CHECKED	TOLERANCE UNLESS NOTED	
	DRAWN	DEAN	2018.08.07	UNIT: mm(in.)	A					LINEAR±	0-10 ±0.20(.008) 10-30 ±0.30(.012) 30-100 ±0.40(.016) 100-300 ±0.50(.020)
	CHECKED			CAD NO	B						
PART NO	R3210-xxxPS-H	APPROVED	APPLE	2018.08.07	R3210-xxxPS-H	C					PROJECTION: