

2.54mm(.100") CARD EDGE SLOT 90° TYPE

MATERIAL

Insulator: PBT+GF UL 94V-0
 Color: Black
 Contact: Brass
 Plating: Gold plated on mating area
 Tin plated on solder area
 Nickel underplated overall

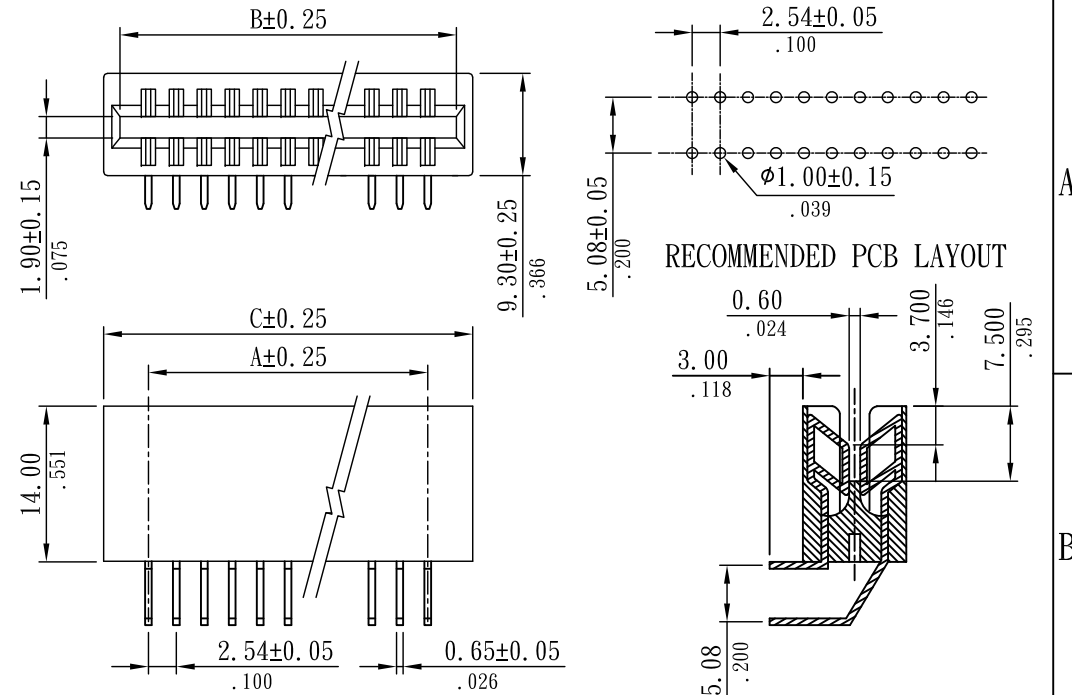
SPECIFICATIONS

Temperature range: -55°C ~ +85°C
 Current rating: 3.0A
 Dielectric withstand voltage: 1000V AC/minute
 Insulation resistance: 5000 MΩ Min.
 Contact resistance: 0.02 Ω Max.

Order Information

R 3210-xxxP R
 1 2 3 4

1. RoHS
2. Series No.
3. Pin No.
4. Right angle



Dimensional Information

| Circuits | DIM. A | | DIM. B | | DIM. C | | Circuits | DIM. A | | DIM. B | | DIM. C | |
|----------|--------|-------|--------|-------|--------|-------|----------|--------|-------|--------|-------|--------|-------|
| | mm | in | mm | in | mm | in | | mm | in | mm | in | mm | in |
| 4 | 2.54 | 0.100 | 8.12 | 0.320 | 11.68 | 0.460 | 44 | 53.34 | 2.100 | 58.92 | 2.320 | 62.48 | 2.460 |
| 6 | 5.08 | 0.200 | 10.66 | 0.420 | 14.22 | 0.560 | 46 | 55.88 | 2.200 | 61.46 | 2.420 | 65.02 | 2.560 |
| 8 | 7.62 | 0.300 | 13.20 | 0.520 | 16.76 | 0.660 | 48 | 58.42 | 2.300 | 64.00 | 2.520 | 67.56 | 2.660 |
| 10 | 10.16 | 0.400 | 15.74 | 0.620 | 19.30 | 0.760 | 50 | 60.96 | 2.400 | 66.54 | 2.620 | 70.10 | 2.760 |
| 12 | 12.70 | 0.500 | 18.28 | 0.720 | 21.84 | 0.860 | 52 | 63.50 | 2.500 | 69.08 | 2.720 | 72.64 | 2.860 |
| 14 | 15.24 | 0.600 | 20.82 | 0.820 | 24.38 | 0.960 | 54 | 66.04 | 2.600 | 71.62 | 2.820 | 75.18 | 2.960 |
| 16 | 17.78 | 0.700 | 23.36 | 0.920 | 26.92 | 1.060 | 56 | 68.58 | 2.700 | 74.16 | 2.920 | 77.72 | 3.060 |
| 18 | 20.32 | 0.800 | 25.90 | 1.020 | 29.46 | 1.160 | 58 | 71.12 | 2.800 | 76.70 | 3.020 | 80.26 | 3.160 |
| 20 | 22.86 | 0.900 | 28.44 | 1.120 | 32.00 | 1.260 | 60 | 73.66 | 2.900 | 79.24 | 3.120 | 82.80 | 3.260 |
| 22 | 25.40 | 1.000 | 30.98 | 1.220 | 34.54 | 1.360 | 62 | 76.20 | 3.000 | 81.78 | 3.220 | 85.34 | 3.360 |
| 24 | 27.94 | 1.100 | 33.52 | 1.320 | 37.08 | 1.460 | 64 | 78.74 | 3.100 | 84.32 | 3.320 | 87.88 | 3.460 |
| 26 | 30.48 | 1.200 | 36.06 | 1.420 | 39.62 | 1.560 | 66 | 81.28 | 3.200 | 86.86 | 3.420 | 90.42 | 3.560 |
| 28 | 33.02 | 1.300 | 38.60 | 1.520 | 42.16 | 1.660 | 68 | 83.82 | 3.300 | 89.40 | 3.520 | 92.96 | 3.660 |
| 30 | 35.56 | 1.400 | 41.14 | 1.620 | 44.70 | 1.760 | 70 | 86.36 | 3.400 | 91.94 | 3.620 | 95.50 | 3.760 |
| 32 | 38.10 | 1.500 | 43.68 | 1.720 | 47.24 | 1.860 | 72 | 88.90 | 3.500 | 94.48 | 3.720 | 98.04 | 3.860 |
| 34 | 40.64 | 1.600 | 46.22 | 1.820 | 49.78 | 1.960 | | | | | | | |
| 36 | 43.18 | 1.700 | 48.76 | 1.920 | 52.32 | 2.060 | | | | | | | |
| 38 | 45.72 | 1.800 | 51.30 | 2.020 | 54.86 | 2.160 | | | | | | | |
| 40 | 48.26 | 1.900 | 53.84 | 2.120 | 57.40 | 2.260 | | | | | | | |
| 42 | 50.80 | 2.000 | 56.38 | 2.220 | 59.94 | 2.360 | | | | | | | |



Sunny Young Enterprise Co., Ltd.
 S. Y. E. <http://www.sunnyyoung.com.tw>
 13F., No. 116, Sec. 1, Xintai 5th Rd., Xizhi Dist., New Taipei City 221, Taiwan
 Tel: +886 2 2696 1668(REP) Fax: +886 2 2696 2668

| M121 | NAME | DATE | SCALE: NTS | REV NO | DATE | DESCRIPTION | BY | CHECKED | TOLERANCE UNLESS NOTED | |
|----------|-------|------------|---------------|--------|------|-------------|----|---------|------------------------|-----------------|
| DRAWN | NYDIA | 2018.08.29 | UNIT: mm(in.) | A | | | | | LINEAR± | .0 ±0.30(.012) |
| CHECKED | DEAN | 2018.08.29 | CAD NO | B | | | | | | .00 ±0.20(.008) |
| APPROVED | APPLE | 2018.08.30 | R3210-xxxPR | C | | | | | | .000±0.10(.004) |
| | | | | | | | | | PROJECTION: | |

PART NO R3210-xxxPR