

# DUAL USB A TYPE FEMALE 90°

## MATERIAL

Insulator: PBT+GF UL 94V-0  
 Color: White  
 Contact: Phosphor bronze  
 Shell: Brass & Spcc  
 Plating: Gold-Tin plated on pin term.  
 Tin & Nickel plated on shell

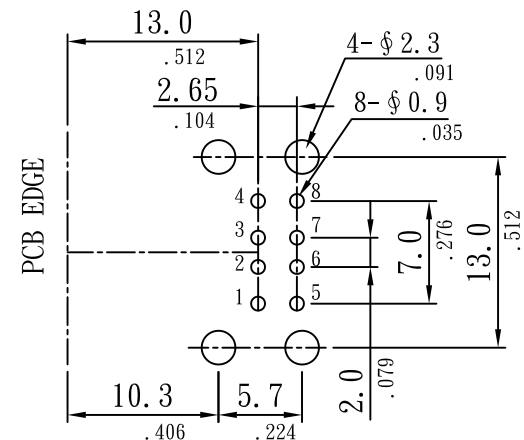
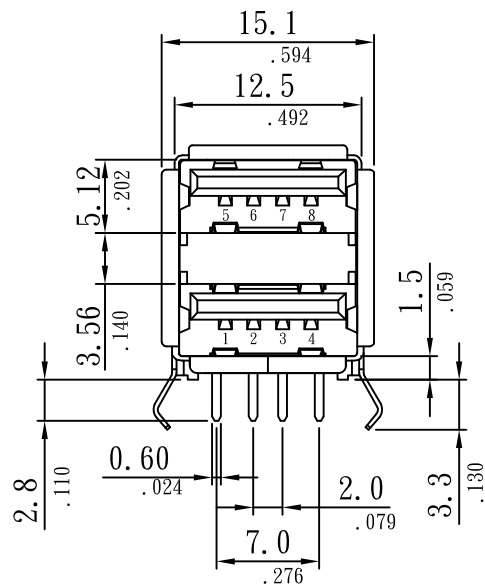
## SPECIFICATIONS

Temperature range: -55°C ~ +80°C  
 Current rating: 1.5A  
 Voltage rating: 250V AC  
 Dielectric withstand voltage: 750V AC  
 Insulation resistance: 1000 MΩ Min.  
 Contact resistance: 0.03Ω Max.

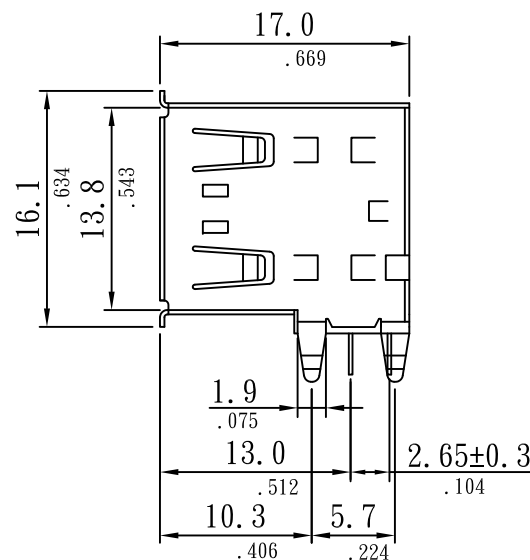
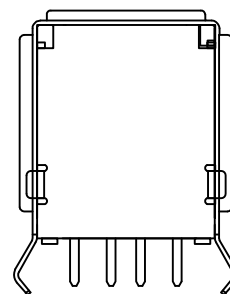
## Order Information

R 2950- A R D-J-02  
 1 2 3 4 5 6

1. RoHS
2. Series No.
3. A Type
4. Right angle
5. Dual Dip Stack
6. White



PCB LAYOUT (BOTTOM VIEW)



Sunny Young Enterprise Co., Ltd.

S. Y. E. <http://www.sunnyyoung.com.tw>

13F., No. 116, Sec. 1, Xintai 5th Rd., Xizhi Dist., New Taipei City 221, Taiwan

Tel:+886 2 2696 1668(REP) Fax:+886 2 2696 2668

M158	NAME	DATE	SCALE: 2:1	REV NO	DATE	DESCRIPTION	BY	CHECKED	TOLERANCE UNLESS NOTED	
DRAWN	YXF	2008. 11. 08	UNIT: mm(in.)	A					LINEAR±	.0 ±0.30(.012)
CHECKED	PIQI	2008. 11. 08	CAD NO	B						.00 ±0.20(.008)
APPROVED	MARS	2008. 11. 08	R2950-ARD-J-02	C						.000±0.10(.004)

PART NO R2950-ARD-J-02

PROJECTION: