

USB C TYPE FEMALE

MATERIAL

Insulator: LCP UL 94V-0, Black
 Contact: Copper alloy
 Gold flash on contact area,
 100u" Min Tin(LEAD FREE) on solder area
 Shell: SUS304-H, T=0.30±0.03mm
 50u" Nickel plating over all
 Shild: SUS304-H, T=0.12±0.03mm

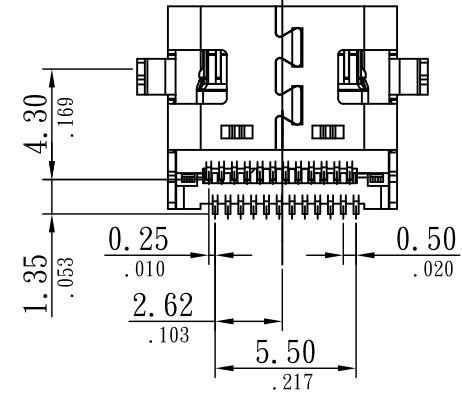
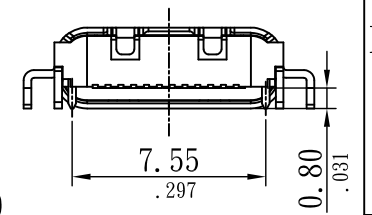
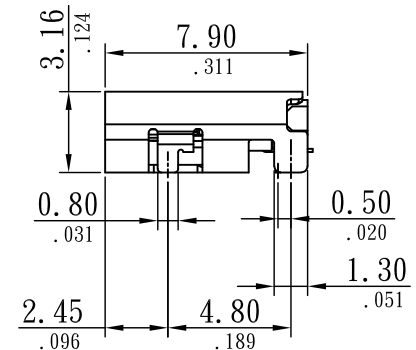
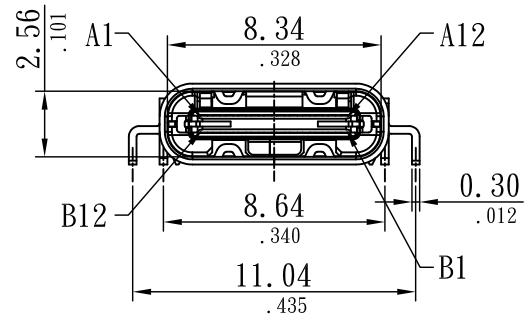
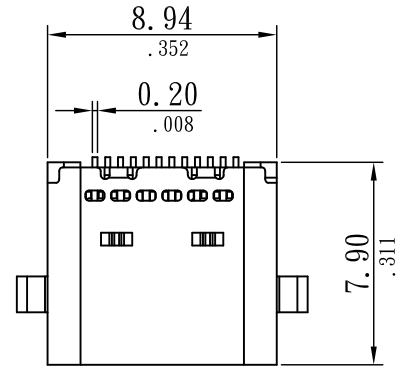
SPECIFICATIONS


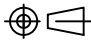
Temperature range: -40°C ~ +85°C
 Current rating: 5.0A For VBUS
 0.25A For other
 Voltage rating: 20V AC
 Dielectric withstand voltage: 100V AC
 Insulation resistance: 100 MΩ Min.
 Contact resistance: 0.04Ω Max.

Order Information

R 2950- 24 C F R-A-01-SMT
 1 2 3 4 5 6 7 8 9

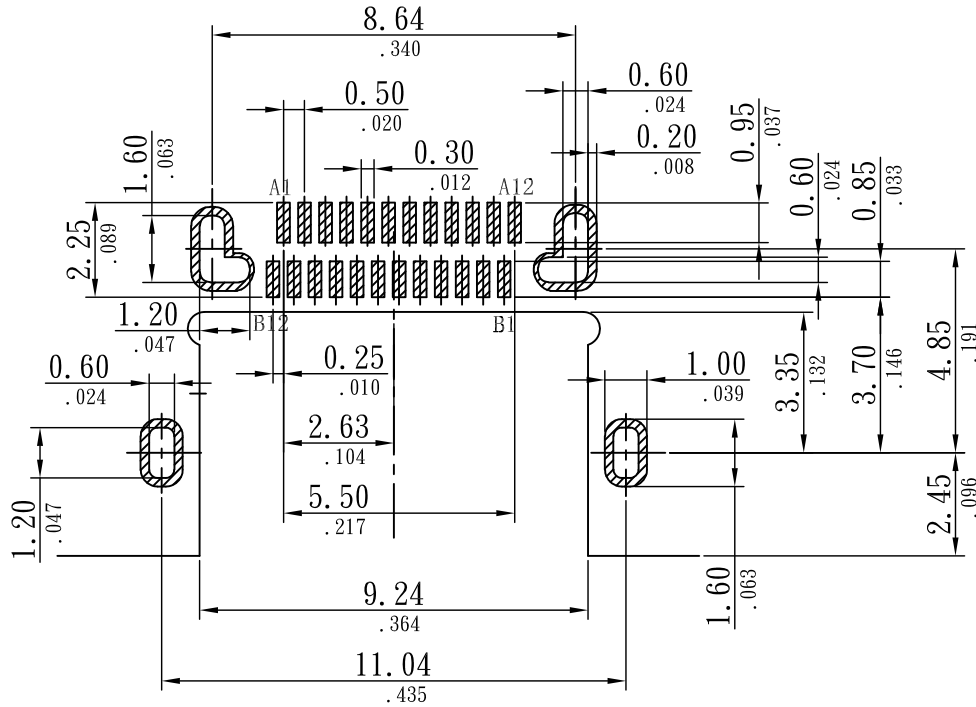
1. RoHS
2. Series No.
3. Pin No.
4. C Type
5. Female
6. Right angle
7. A:Black
8. Serial No.
9. SMT Type



 Sunny Young Enterprise Co., Ltd. S. Y. E. http://www.sunnyyoung.com.tw 13F., No. 116, Sec. 1, Xintai 5th Rd., Xizhi Dist., New Taipei City 221, Taiwan Tel: +886 2 2696 1668(REP) Fax: +886 2 2696 2668	L135	NAME	DATE	SCALE: NTS	REV NO	DATE	DESCRIPTION	BY	CHECKED	TOLERANCE UNLESS NOTED	
	DRAWN	RALF	2022.09.16	UNIT: mm(in.)	A					LINEAR±	.0 ±0.25(.010)
	CHECKED	DEAN	2022.09.16	CAD NO	B						.00 ±0.15(.006)
PART NO	R2950-24CFR-A-01-SMT	APPROVED	APPLE	2022.09.16	R2950-24CFR-A-01-SMT	C					PROJECTION: 

USB TYPE C FULL-FEATURED RECEPTACLE INTERFACE PIN ASSIGNMENTS

PIN	SIGNAL NAME	DESCRIPTION	PIN	SIGNAL NAME	DESCRIPTION
A1	GND	GROUND RETURN	B12	GND	GROUND RETURN
A2	SSTXp1	POSITIVE HALF OF FIRST SUPERSPEED TX DIFFERENTIAL PAIR	B11	SSRXp1	POSITIVE HALF OF FIRST SUPERSPEED RX DIFFERENTIAL PAIR
A3	SSTXn1	NEGATIVE HALF OF FIRST SUPERSPEED TX DIFFERENTIAL PAIR	B10	SSRXn1	NEGATIVE HALF OF FIRST SUPERSPEED RX DIFFERENTIAL PAIR
A4	Vbus	BUS POWER	B9	Vbus	BUS POWER
A5	CC1	CONFIGURATION CHANNEL	B8	SBU2	SIDEBAND USE(SBU)
A6	Dp1	POSITIVE HALF OF THE USB 2.0 DIFFERENTIAL PAIR-POSITION 1	B7	Dn2	NEGATIVE HALF OF THE USB 2.0 DIFFERENTIAL PAIR-POSITION 2
A7	Dn1	NEGATIVE HALF OF THE USB 2.0 DIFFERENTIAL PAIR-POSITION 1	B6	Dp2	POSITIVE HALF OF THE USB 2.0 DIFFERENTIAL PAIR-POSITION 2
A8	SBU1	SIDEBAND USE(SBU)	B5	CC2	CONFIGURATION CHANNEL
A9	Vbus	BUS POWER	B4	Vbus	BUS POWER
A10	SSRXn2	NEGATIVE HALF OF SECOND SUPERSPEED RX DIFFERENTIAL PAIR	B3	SSTXn2	NEGATIVE HALF OF SECOND SUPERSPEED TX DIFFERENTIAL PAIR
A11	SSRXp2	POSITIVE HALF OF SECOND SUPERSPEED RX DIFFERENTIAL PAIR	B2	SSTXp2	POSITIVE HALF OF SECOND SUPERSPEED TX DIFFERENTIAL PAIR
A12	GND	GROUND RETURN	B1	GND	GROUND RETURN



RECOMMENDED PCB LAYOUT
TOLERANCE ±0.05mm



Sunny Young Enterprise Co., Ltd.

S. Y. E. <http://www.sunnyyoung.com.tw>

13F., No. 116, Sec. 1, Xintai 5th Rd., Xizhi Dist., New Taipei City 221, Taiwan

Tel: +886 2 2696 1668(REP) Fax: +886 2 2696 2668

PART NO

R2950-24CFR-A-01-SMT

L135	NAME	DATE	SCALE: NTS	REV NO	DATE	DESCRIPTION	BY	CHECKED	TOLERANCE UNLESS NOTED
DRAWN	RALF	2022.09.16	UNIT: mm(in.)	A					LINEAR± .0 ±0.25(.010) .00 ±0.15(.006) .000±0.10(.004)
CHECKED	DEAN	2022.09.16	CAD NO	B					
APPROVED	APPLE	2022.09.16	R2950-24CFR-A-01-SMT	C					PROJECTION: