

2.54mm(.100") MINI JUMPER OPEN TYPE

MATERIAL

Insulator: Thermoplastic UL 94V-0
 Contact: Copper alloy
 Plating: Gold plated

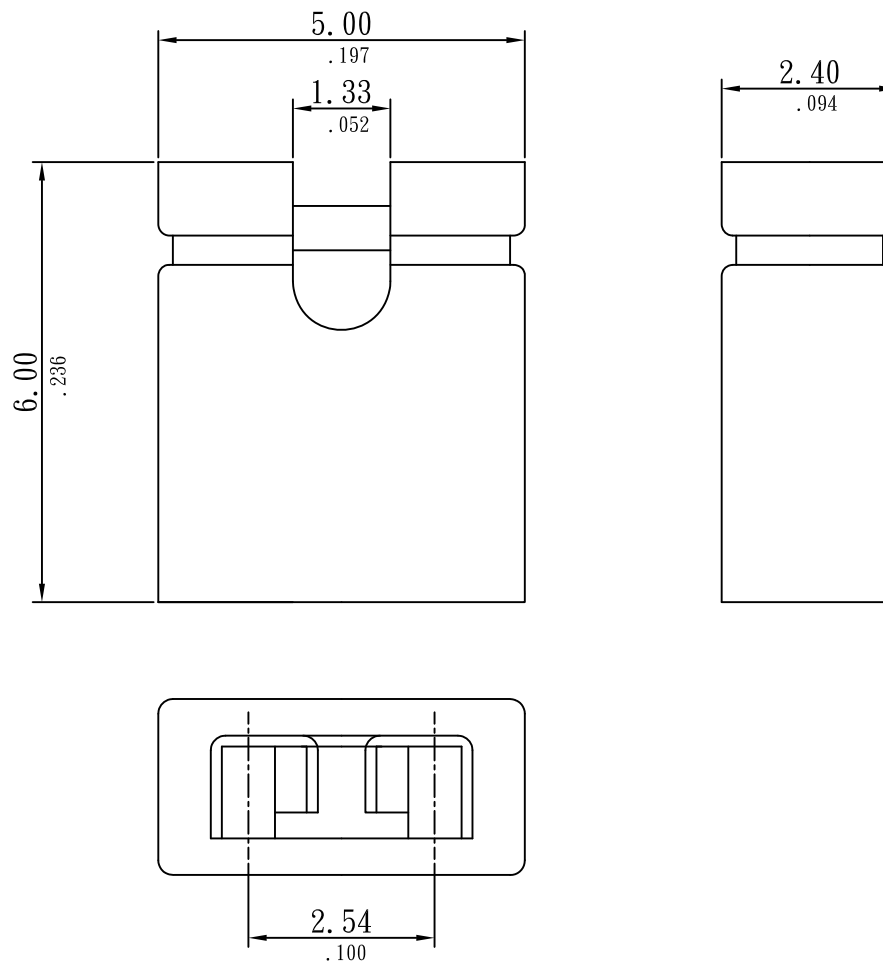
SPECIFICATIONS

Temperature range: -55°C ~ +105°C
 Current rating: 3.0A
 Contact resistance: 0.03Ω Max.

Order Information

R 2700-x
 1 2 3

1. RoHS
2. Series
3. Color:
 - A=Black
 - C=Red
 - E=Yellow
 - F=Green
 - G=Blue
 - J=White



Sunny Young Enterprise Co., Ltd.
 S. Y. E. <http://www.sunnyyoung.com.tw>
 13F., No. 116, Sec. 1, Xintai 5th Rd., Xizhi Dist., New Taipei City 221, Taiwan
 Tel: +886 2 2696 1668(REP) Fax: +886 2 2696 2668

M065	NAME	DATE	SCALE: 10:1	REV NO	DATE	DESCRIPTION	BY	CHECKED	TOLERANCE UNLESS NOTED	
DRAWN	YXF	2008. 12. 02	UNIT: mm(in.)	A					LINEAR±	.0 ±0.30(.012)
CHECKED	PIQI	2008. 12. 02	CAD NO	B				.00 ±0.20(.008)		
APPROVED	MARS	2008. 12. 02	R2700-x	C				.000±0.10(.004)		
PART NO	R2700-x								PROJECTION:	

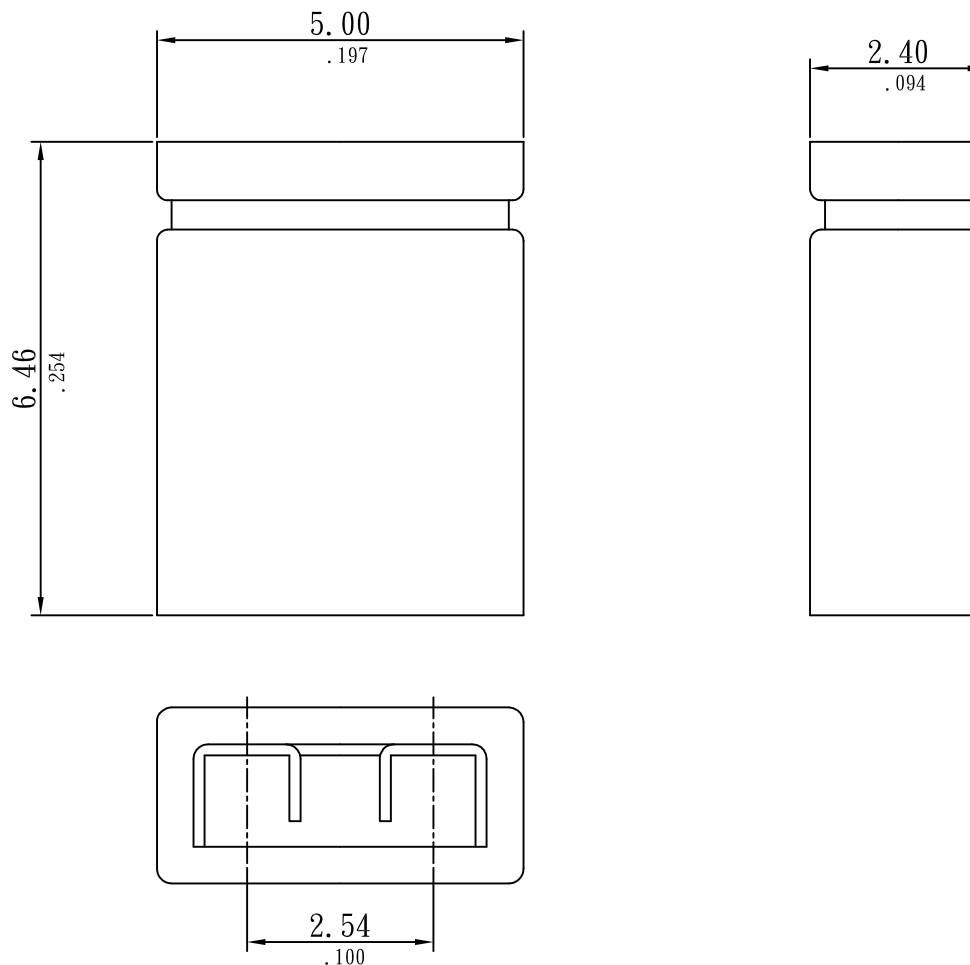
2.54mm(.100") MINI JUMPER CLOSE TYPE

MATERIAL

Insulator: Thermoplastic UL 94V-0
 Contact: Copper alloy
 Plating: Gold plated

SPECIFICATIONS

Temperature range: -55°C ~ +105°C
 Current rating: 3.0A
 Contact resistance: 0.03Ω Max.


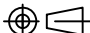


Order Information

R 2701-x
 1 2 3

1. RoHS
2. Series
3. Color:
 A=Black
 C=Red
 G=Blue



 Sunny Young Enterprise Co., Ltd. S. Y. E. http://www.sunnyyoung.com.tw 13F., No. 116, Sec. 1, Xintai 5th Rd., Xizhi Dist., New Taipei City 221, Taiwan Tel: +886 2 2696 1668(REP) Fax: +886 2 2696 2668	M065	NAME	DATE	SCALE: NTS	REV NO	DATE	DESCRIPTION	BY	CHECKED	TOLERANCE UNLESS NOTED	
	DRAWN	YXF	2008. 12. 02	UNIT: mm(in.)	A					LINEAR±	.0 ±0.30(.012)
	CHECKED	PIQI	2008. 12. 02	CAD NO	B						.00 ±0.20(.008)
PART NO	R2701-x	APPROVED	MARS	2008. 12. 02	R2701-x	C					PROJECTION: 

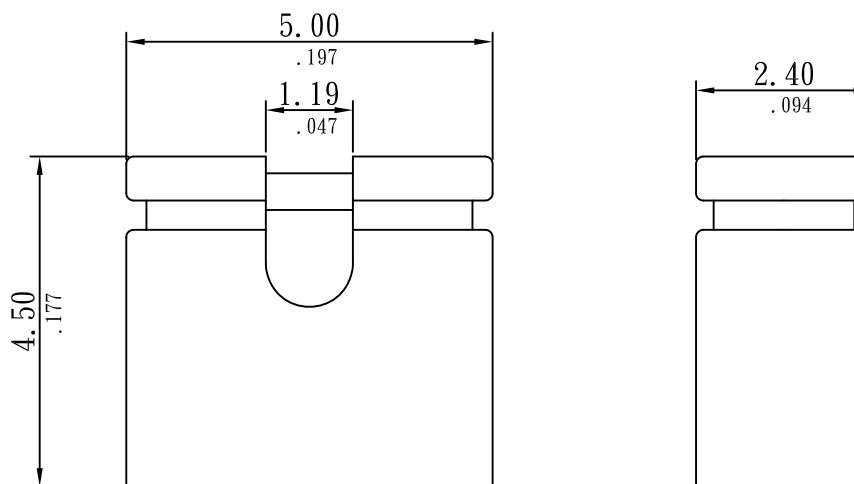
2.54mm(.100") MINI JUMPER OPEN TYPE

MATERIAL

Insulator: Thermoplastic UL 94V-0
 Contact: Copper alloy
 Plating: Gold plated

SPECIFICATIONS

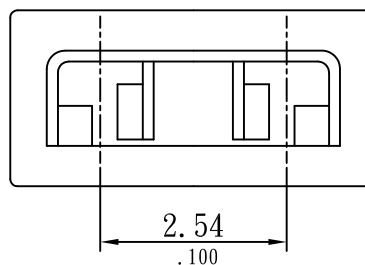
Temperature range: -55°C ~ +105°C
 Current rating: 3.0A
 Contact resistance: 0.03Ω Max.


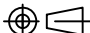


Order Information

R 2702-x
 1 2 3

1. RoHS
2. Series
3. Color:
 - A=Black
 - C=Red
 - E=Yellow
 - F=Green
 - G=Blue



 Sunny Young Enterprise Co., Ltd. S. Y. E. http://www.sunnyyoung.com.tw 13F., No. 116, Sec. 1, Xintai 5th Rd., Xizhi Dist., New Taipei City 221, Taiwan Tel: +886 2 2696 1668(REP) Fax: +886 2 2696 2668	M065	NAME	DATE	SCALE: NTS	REV NO	DATE	DESCRIPTION	BY	CHECKED	TOLERANCE UNLESS NOTED	
	DRAWN	YXF	2008. 12. 02	UNIT: mm(in.)	A					LINEAR±	.0 ±0.30(.012)
	CHECKED	PIQI	2008. 12. 02	CAD NO	B						.00 ±0.20(.008)
	PART NO	R2702-x	APPROVED	MARS	2008. 12. 02	R2702-x	C				
										PROJECTION:	

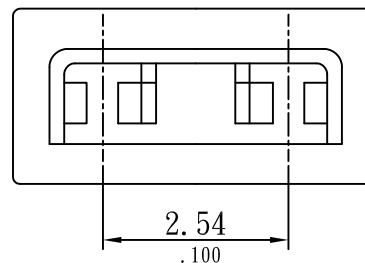
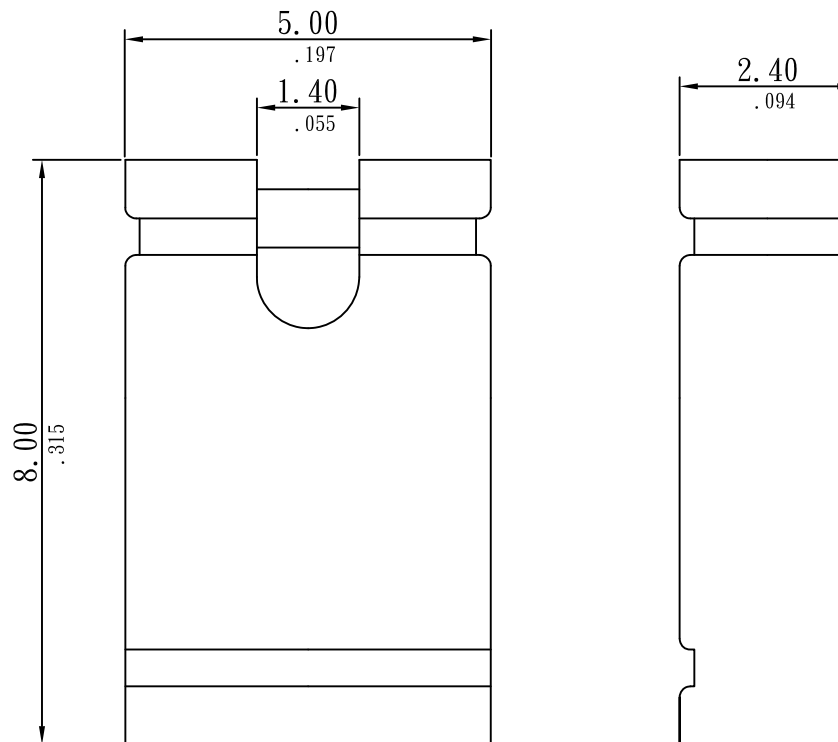
2.54mm(.100") MINI JUMPER OPEN TYPE

MATERIAL

Insulator: Thermoplastic UL 94V-0
 Contact: Phosphor bronze
 Plating: Gold plated

SPECIFICATIONS

Temperature range: -55°C ~ +105°C
 Current rating: 3.0A
 Contact resistance: 0.03Ω Max.


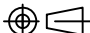


Order Information

R 2703-x
 1 2 3

1. RoHS
2. Series
3. Color:
 A=Black
 C=Red



 Sunny Young Enterprise Co., Ltd. S. Y. E. http://www.sunnyyoung.com.tw 13F., No. 116, Sec. 1, Xintai 5th Rd., Xizhi Dist., New Taipei City 221, Taiwan Tel: +886 2 2696 1668(REP) Fax: +886 2 2696 2668	M065	NAME	DATE	SCALE: NTS	REV NO	DATE	DESCRIPTION	BY	CHECKED	TOLERANCE UNLESS NOTED	
	DRAWN	YXF	2008. 12. 02	UNIT: mm(in.)	A					LINEAR±	.0 ±0.30(.012)
	CHECKED	PIQI	2008. 12. 02	CAD NO	B						.00 ±0.20(.008)
	APPROVED	MARS	2008. 12. 02	R2703-x	C						.000±0.10(.004)
PART NO	R2703-x										PROJECTION: 

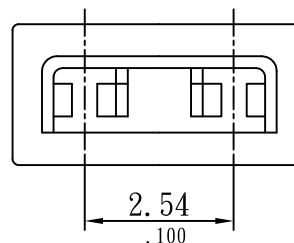
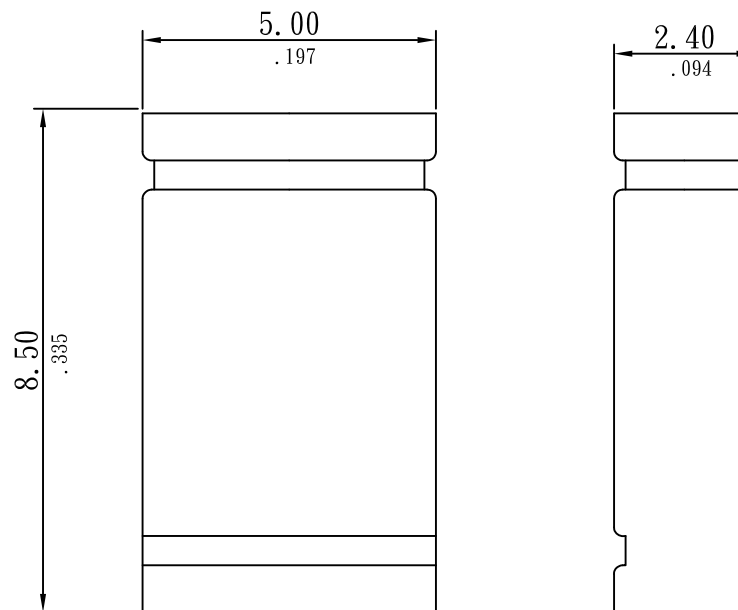
2.54mm(.100") MINI JUMPER CLOSE TYPE

MATERIAL

Insulator: Thermoplastic UL 94V-0
 Contact: Phosphor bronze
 Plating: Gold plated

SPECIFICATIONS

Temperature range: -55°C ~ +105°C
 Current rating: 3.0A
 Contact resistance: 0.03Ω Max.


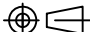


Order Information

R 2704-x
 1 2 3

1. RoHS
2. Series
3. Color:
 A=Black
 C=Red



 Sunny Young Enterprise Co., Ltd. S. Y. E. http://www.sunnyyoung.com.tw 13F., No. 116, Sec. 1, Xintai 5th Rd., Xizhi Dist., New Taipei City 221, Taiwan Tel: +886 2 2696 1668(REP) Fax: +886 2 2696 2668	M065	NAME	DATE	SCALE: NTS	REV NO	DATE	DESCRIPTION	BY	CHECKED	TOLERANCE UNLESS NOTED	
	DRAWN	YXF	2008. 12. 02	UNIT: mm(in.)	A					LINEAR±	.0 ±0.30(.012)
	CHECKED	PIQI	2008. 12. 02	CAD NO	B						.00 ±0.20(.008)
PART NO	R2704-x	APPROVED	MARS	2008. 12. 02	R2704-x	C					PROJECTION: 

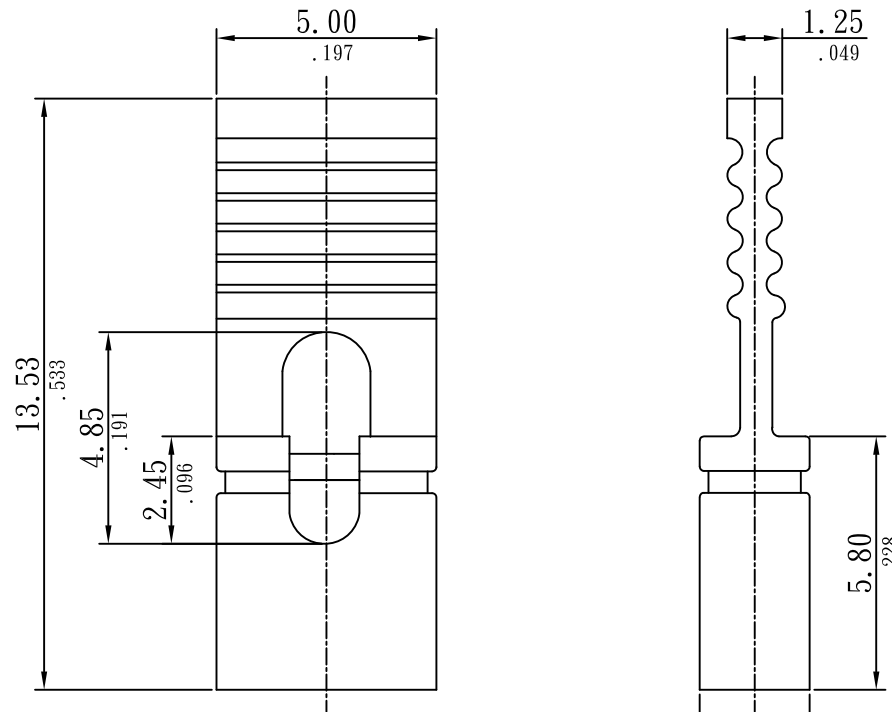
2.54mm(.100") MINI JUMPER OPEN TYPE

MATERIAL

Insulator: Thermoplastic UL 94V-0
 Contact: Brass
 Plating: Gold plated

SPECIFICATIONS

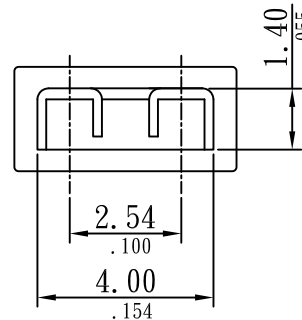
Temperature range: -55°C ~ +105°C
 Current rating: 3.0A
 Contact resistance: 0.03Ω Max.




Order Information

R 2705-x
 1 2 3

1. RoHS
2. Series
3. Color:
 - A=Black
 - C=Red
 - G=Blue
 - J=White



 Sunny Young Enterprise Co., Ltd. S. Y. E. http://www.sunnyyoung.com.tw 13F., No. 116, Sec. 1, Xintai 5th Rd., Xizhi Dist., New Taipei City 221, Taiwan Tel: +886 2 2696 1668(REP) Fax: +886 2 2696 2668	M065	NAME	DATE	SCALE: 6:1	REV NO	DATE	DESCRIPTION	BY	CHECKED	TOLERANCE UNLESS NOTED	
	DRAWN	YXF	2009.02.17	UNIT: mm(in.)	A					LINEAR±	.0 ±0.30(.012)
	CHECKED	PIQI	2009.02.17	CAD NO	B						.00 ±0.20(.008)
PART NO	R2705-x	APPROVED	MARS	2009.02.17	R2705-x	C					PROJECTION: 