

2. 50mm(.098") HOUSING

MATERIAL

Insulator: Nylon 66 UL 94V-0 or 94V-2
 Color: Beige

SPECIFICATIONS

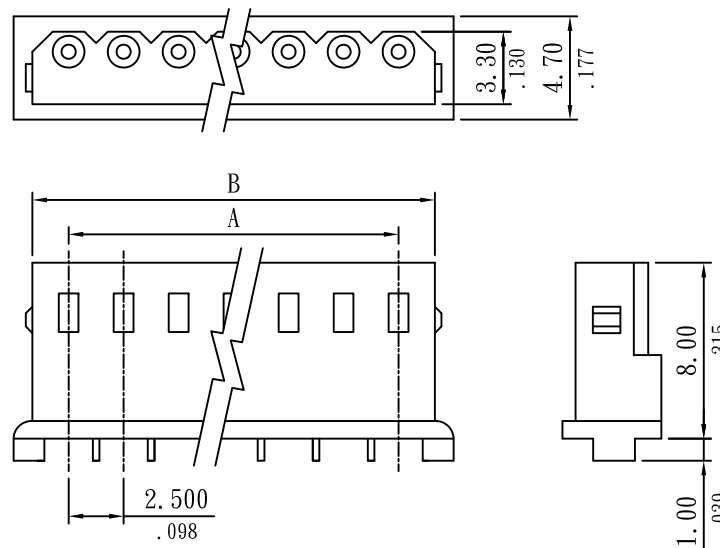
Temperature range: -25°C ~ +85°C
 Current rating: 3.0A
 Voltage rating: 250V AC, DC
 Dielectric withstand voltage: 800V AC
 Insulation resistance: 1000 MΩ min.
 Contact resistance: 0.02Ω max.

Mates with S.Y.E. R2583 Terminal
 Mates with S.Y.E. R2581 Wafer(Headers)

Order Information

R 2580-xxP
 1 2 3

1. RoHS
2. Series
3. Pin No.



Dimensional Information

Circuits	Dim. A	Dim. B	Circuits	Dim. A	Dim. B
2	2.50(0.098)	5.80(0.228)	9	20.00(0.787)	23.30(0.917)
3	5.00(0.197)	8.30(0.327)	10	22.50(0.886)	25.80(1.016)
4	7.50(0.295)	10.80(0.425)	11	25.00(0.984)	28.30(1.114)
5	10.00(0.394)	13.30(0.524)	12	27.50(1.083)	30.80(1.213)
6	12.50(0.492)	15.80(0.622)	13	30.00(1.181)	33.30(1.311)
7	15.00(0.591)	18.30(0.720)	14	32.50(1.280)	35.80(1.409)
8	17.50(0.689)	20.80(0.819)	15	35.00(1.378)	38.30(1.508)



Sunny Young Enterprise Co., Ltd.

S. Y. E. <http://www.sunnyyoung.com.tw>

13F., No. 116, Sec. 1, Xintai 5th Rd., Xizhi Dist., New Taipei City 221, Taiwan

Tel:+886 2 2696 1668(REP) Fax:+886 2 2696 2668

S008	NAME	DATE	SCALE: NTS	REV NO	DATE	DESCRIPTION	BY	CHECKED	TOLERANCE UNLESS NOTED		
DRAWN	XSD	2008.09.08	UNIT: mm(in.)	A					LINEAR±	.0 ±0.30(.012)	
CHECKED	PIQI	2008.09.08	CAD NO	B				.00 ±0.20(.008)			
APPROVED	MARS	2008.09.08	R2580-xxP	C				.000±0.10(.004)			
PART NO										R2580-xxP	PROJECTION:

2.50mm(.098") WAFER 90°

MATERIAL

Insulator: Nylon 66 UL94V-0 ▲
 Color: Nature ▲
 Contact: Brass $\phi 0.70\text{mm}(.028\text{"})$ round pins
 Plating: Tin plated

SPECIFICATIONS

Temperature range: $-25^{\circ}\text{C} \sim +85^{\circ}\text{C}$
 Current rating: 3.0A AC
 Voltage rating: 250V AC
 Dielectric withstand voltage: 1000V AC
 Insulation resistance: 1000 M Ω Min.
 Contact resistance: 0.02 Ω Max.
 Mates with S.Y.E. R2580-xxP housing ▲

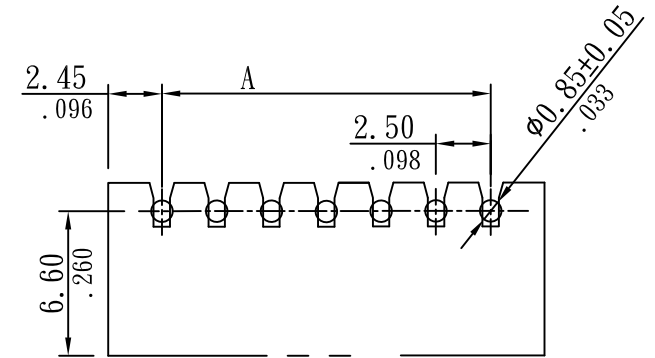
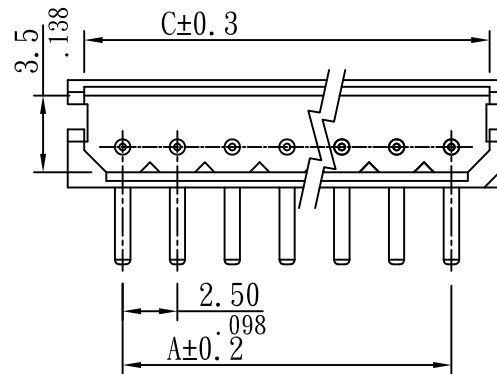
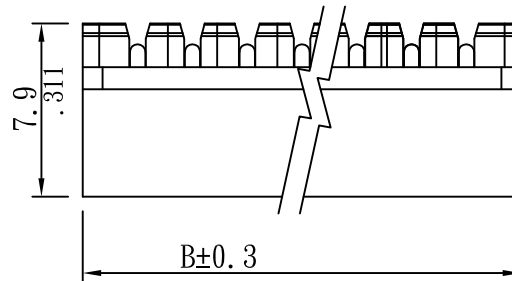
Order Information

R 2581-xx TR
 1 2 3 4 5

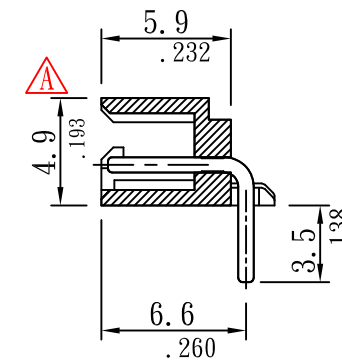
1. RoHS
2. Series
3. Pin No.
4. Tin Plated
5. Right Angle

Dimensional Information

Circuits	DIM. A		DIM. B		DIM. C		Circuits	DIM. A		DIM. B		DIM. C	
	mm	in	mm	in	mm	in		mm	in	mm	in	mm	in
2	2.50	0.098	7.50	0.295	6.00	0.236	9	20.00	0.787	25.00	0.984	23.50	0.925
3	5.00	0.197	10.00	0.394	8.50	0.335	10	22.50	0.886	27.50	1.083	26.00	1.024
4	7.50	0.295	12.50	0.492	11.00	0.433	11	25.00	0.984	30.00	1.181	28.50	1.122
5	10.00	0.394	15.00	0.591	13.50	0.531	12	27.50	1.083	32.50	1.280	31.00	1.220
6	12.50	0.492	17.50	0.689	16.00	0.630	13	30.00	1.181	35.00	1.378	33.50	1.319
7	15.00	0.591	20.00	0.787	18.50	0.728	14	32.50	1.280	37.50	1.476	36.00	1.417
8	17.50	0.689	22.50	0.886	21.00	0.827	15	35.00	1.378	40.00	1.575	38.50	1.516



PCB LAYOUT



Sunny Young Enterprise Co., Ltd.
 S.Y.E. <http://www.sunnyyoung.com.tw>
 13F., No. 116, Sec. 1, Xintai 5th Rd., Xizhi Dist., New Taipei City 221, Taiwan
 Tel: +886 2 2696 1668(REP) Fax: +886 2 2696 2668

S010	NAME	DATE	SCALE: NTS	REV NO	DATE	DESCRIPTION	BY	CHECKED	TOLERANCE UNLESS NOTED	
DRAWN	STEVEN	2013. 10. 14	UNIT: mm(in.)	A	2023. 03. 23	FIRE RATING CHANGED TO V0	RALF	JUDY	LINEAR±	.0 ±0.30(.012)
CHECKED	SEAN	2013. 10. 14	CAD NO	B						.00 ±0.20(.008)
APPROVED	TINA	2013. 10. 15	R2581-xxTR	C						.000±0.10(.004)
PART NO R2581-xxTR									PROJECTION:	

2.50mm(.098") WAFER 180°

MATERIAL

Insulator: Nylon 66 UL94V-0 ▲
 Color: Nature ▲
 Contact: Brass $\phi 0.70\text{mm}(.028\text{"})$ round pins
 Plating: Tin plated

SPECIFICATIONS

Temperature range: $-25^{\circ}\text{C} \sim +85^{\circ}\text{C}$
 Current rating: 3.0A AC
 Voltage rating: 250V AC
 Dielectric withstand voltage: 1000V AC ▲
 Insulation resistance: 1000 M Ω Min.
 Contact resistance: 0.02 Ω Max.
 Mates with S.Y.E. R2580-xxP housing

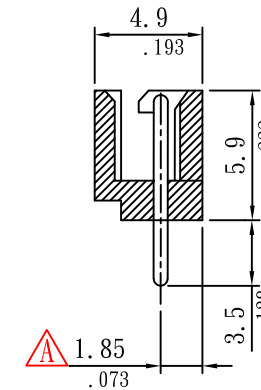
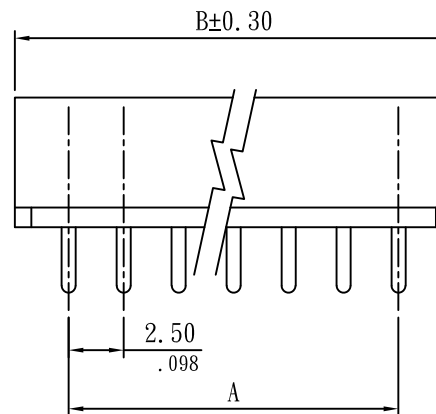
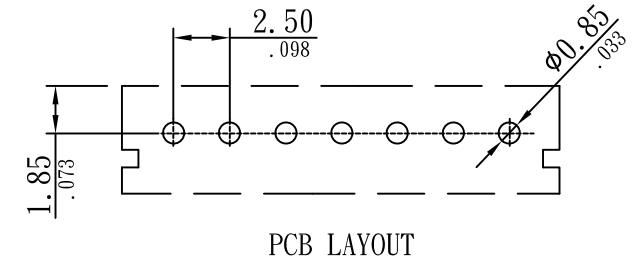
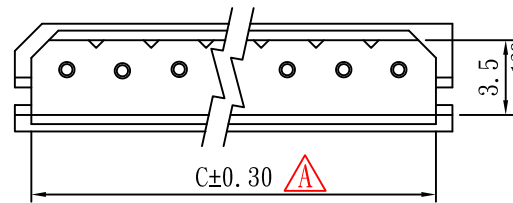
Order Information

R 2581-xx T S
 1 2 3 4 5

1. RoHS
2. Series
3. Pin No.
4. Tin Plated
5. Straight angle

Dimensional Information

Circuits	DIM. A		DIM. B		DIM. C		Circuits	DIM. A		DIM. B		DIM. C	
	mm	in	mm	in	mm	in		mm	in	mm	in	mm	in
2	2.50	0.098	7.50	0.295	6.00	0.236	9	20.00	0.787	25.00	0.984	23.50	0.925
3	5.00	0.197	10.00	0.394	8.50	0.335	10	22.50	0.886	27.50	1.083	26.00	1.024
4	7.50	0.295	12.50	0.492	11.00	0.433	11	25.00	0.984	30.00	1.181	28.50	1.122
5	10.00	0.394	15.00	0.591	13.50	0.531	12	27.50	1.083	32.50	1.280	31.00	1.220
6	12.50	0.492	17.50	0.689	16.00	0.630	13	30.00	1.181	35.00	1.378	33.50	1.319
7	15.00	0.591	20.00	0.787	18.50	0.728	14	32.50	1.280	37.50	1.476	36.00	1.417
8	17.50	0.689	22.50	0.886	21.00	0.827	15	35.00	1.378	40.00	1.575	38.50	1.516



Sunny Young Enterprise Co., Ltd.
 S.Y.E. <http://www.sunnyyoung.com.tw>
 13F., No. 116, Sec. 1, Xintai 5th Rd., Xizhi Dist., New Taipei City 221, Taiwan
 Tel:+886 2 2696 1668(REP) Fax:+886 2 2696 2668

S010	NAME	DATE	SCALE: NTS	REV NO	DATE	DESCRIPTION	BY	CHECKED	TOLERANCE UNLESS NOTED	
DRAWN	XSD	2008.09.08	UNIT: mm(in.)	A	2023.03.23	FIRE RATING CHANGED TO V0	RALF	JUDY	LINEAR±	.0 ±0.30(.012)
CHECKED	PIQI	2008.09.08	CAD NO	B						.00 ±0.20(.008)
APPROVED	MARS	2008.09.08	R2581-xxTS	C						.000±0.10(.004)
PART NO R2581-xxTS									PROJECTION:	

2.50mm(.098") TERMINAL

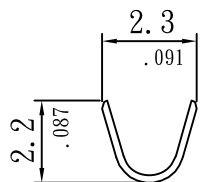
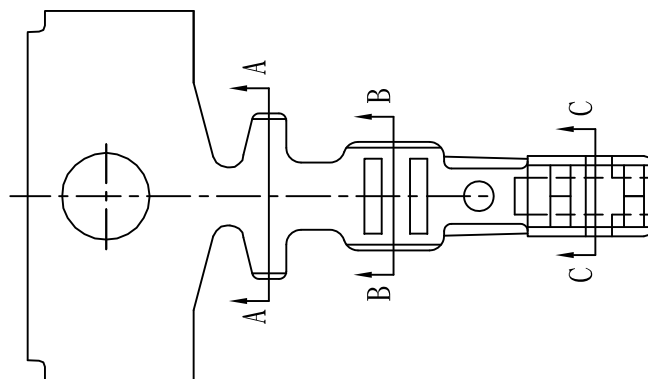
SPECIFICATIONS

Material : Phosphor bronze
 Thickness : 0.20mm
 Plating : Tin plated
 Applicable wire : AWG 22 ~ AWG 28
 Used in S.Y.E R2580-xxP Housing

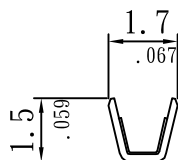
Order Information

R 2583-P T
 1 2 3 4

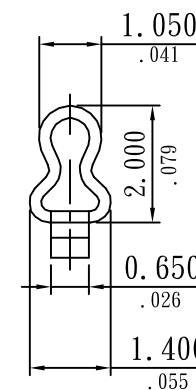
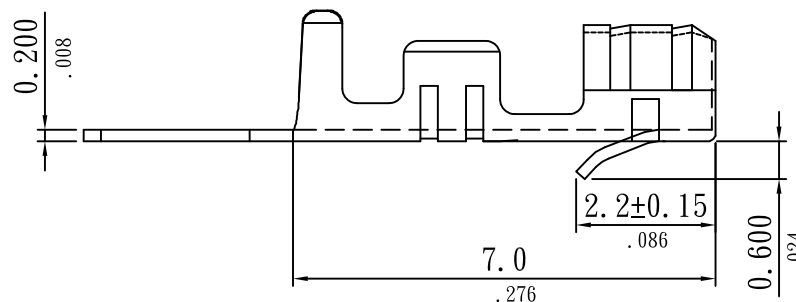
1. RoHS
2. Series No.
3. Phosphor bronze
4. Tin plated



SECTION A-A



SECTION B-B



SECTION C-C



Sunny Young Enterprise Co., Ltd.

S. Y. E. <http://www.sunnyyoung.com.tw>

13F., No. 116, Sec. 1, Xintai 5th Rd., Xizhi Dist., New Taipei City 221, Taiwan

Tel: +886 2 2696 1668(REP) Fax: +886 2 2696 2668

DRAWN	CHECKED	APPROVED	NAME	DATE	SCALE: 1:5	REV NO	DATE	DESCRIPTION	BY	CHECKED	TOLERANCE UNLESS NOTED	
											LINEAR±	
xiexuanyin		TINA		2012.09.14	UNIT: mm(in.)	A					.0 ±0.30(.012)	
					CAD NO	B					.00 ±0.20(.008)	
					R2583-PT	C					.000±0.10(.004)	

PART NO

R2583-PT

PROJECTION: