

2.50mm(.098") HOUSING

MATERIAL

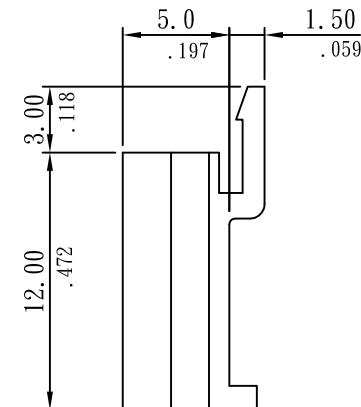
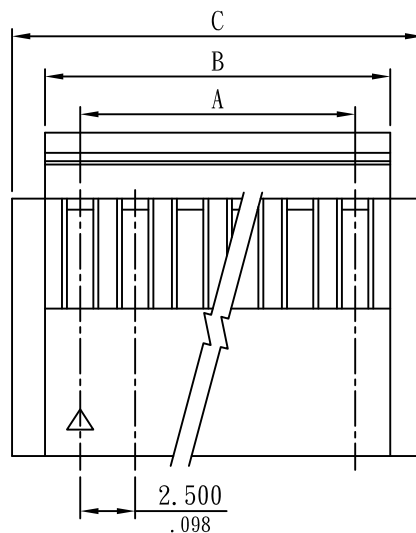
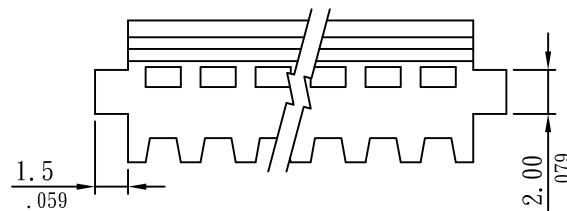
Insulator: Nylon 66 UL 94V-0
Color: White

SPECIFICATIONS

Temperature range: -20°C ~ +85°C
Current rating: 3.0A
Voltage rating: 250V AC
Dielectric withstand voltage: 1500V AC
Insulation resistance: 500 MΩ Min.
Contact resistance: 0.02Ω Max.

Mates with S.Y.E. R2543 Terminal

Mates with S.Y.E. R2541 Wafer(Headers)



Order Information

R 2540-xxP
1 2 3

1. RoHS
2. Series No.
3. Pin No.

Dimensional Information

Circuits	Dim. A	Dim. B	Dim. C	Circuits	Dim. A	Dim. B	Dim. C
2	2.50(0.098)	5.70(0.224)	8.70(0.343)	12	27.50(1.083)	30.70(1.209)	33.70(1.327)
3	5.00(0.197)	8.20(0.323)	11.20(0.441)	13	30.00(1.181)	33.20(1.307)	36.20(1.425)
4	7.50(0.295)	10.70(0.421)	13.70(0.539)	14	32.50(1.280)	35.70(1.406)	38.70(1.524)
5	10.00(0.394)	13.20(0.520)	16.20(0.638)	15	35.00(1.378)	38.20(1.504)	41.20(1.622)
6	12.50(0.492)	15.70(0.618)	18.70(0.736)	16	37.50(1.476)	40.70(1.602)	43.70(1.720)
7	15.00(0.591)	18.20(0.717)	21.20(0.835)	17	40.00(1.575)	43.20(1.701)	46.20(1.819)
8	17.50(0.689)	20.70(0.815)	23.70(0.933)	18	42.50(1.673)	45.70(1.799)	48.70(1.917)
9	20.00(0.787)	23.20(0.913)	26.20(1.031)	19	45.00(1.772)	48.20(1.900)	51.20(2.016)
10	22.50(0.886)	25.70(1.012)	28.70(1.130)	20	47.50(1.870)	50.70(1.996)	53.70(2.114)
11	25.00(0.984)	28.20(1.110)	31.20(1.228)				



Sunny Young Enterprise Co., Ltd.

S.Y.E. <http://www.sunnyyoung.com.tw>

13F., No. 116, Sec. 1, Xintai 5th Rd., Xizhi Dist., New Taipei City 221, Taiwan

Tel: +886 2 2696 1668(REP) Fax: +886 2 2696 2668

S010	NAME	DATE	SCALE: NTS	REV NO	DATE	DESCRIPTION	BY	CHECKED	TOLERANCE UNLESS NOTED	
DRAWN	PC	2008.11.07	UNIT: mm(in.)	A					LINEAR±	.0 ±0.30(.012)
CHECKED	PIQI	2008.11.07	CAD NO	B						.00 ±0.20(.008)
APPROVED	MARS	2008.11.07	R2540-xxP	C						.000±0.10(.004)
									PROJECTION:	

PART NO

R2540-xxP

2.50mm(.098") WAFER 90°

MATERIAL

Insulator: Nylon 66 UL 94V-0
 Color: White
 Contact: Brass
 Plating: Tin plated

SPECIFICATIONS

Temperature range: -25°C ~ +85°C
 Current rating: 3.0A
 Voltage rating: 250V AC
 Dielectric withstand voltage: 1500V AC
 Insulation resistance: 500 MΩ Min.
 Contact resistance: 0.02Ω Max.
 Mates with S.Y.E. R2540-xxP Housing

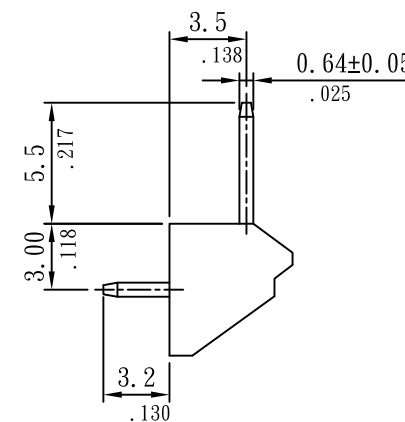
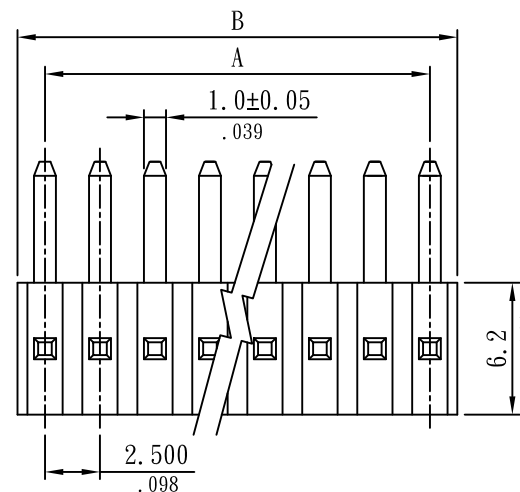
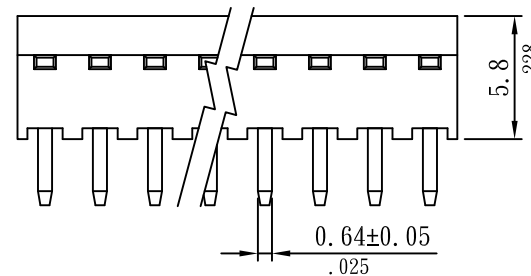
Order Information

R 2541-xx T R
 1 2 3 4 5

1. RoHS
2. Series No.
3. Pin No.
4. Tin plated
5. Right angle

Dimensional Information

Circuits	Dim. A	Dim. B	Circuits	Dim. A	Dim. B
2	2.50(0.098)	5.00(0.197)	11	25.00(0.984)	27.50(1.083)
3	5.00(0.197)	7.50(0.295)	12	27.50(1.083)	30.00(1.181)
4	7.50(0.295)	10.00(0.394)	13	30.00(1.181)	32.50(1.280)
5	10.00(0.394)	12.50(0.492)	14	32.50(1.280)	35.00(1.378)
6	12.50(0.492)	15.00(0.591)	15	35.00(1.378)	37.50(1.476)
7	15.00(0.591)	17.50(0.689)	16	37.50(1.476)	40.00(1.575)
8	17.50(0.689)	20.00(0.787)	18	42.50(1.673)	45.00(1.772)
9	20.00(0.787)	22.50(0.886)	19	45.00(1.772)	47.50(1.870)
10	22.50(0.886)	25.00(0.984)	20	47.50(1.870)	50.00(1.969)



Sunny Young Enterprise Co., Ltd.

S. Y. E. <http://www.sunnyyoung.com.tw>

13F., No. 116, Sec. 1, Xintai 5th Rd., Xizhi Dist., New Taipei City 221, Taiwan

Tel: +886 2 2696 1668(REP) Fax: +886 2 2696 2668

S010	NAME	DATE	SCALE: NTS	REV NO	DATE	DESCRIPTION	BY	CHECKED	TOLERANCE UNLESS NOTED	
DRAWN	PC	2008.11.07	UNIT: mm(in.)	A					LINEAR±	.0 ±0.30(.012)
CHECKED	PIQI	2008.11.07	CAD NO	B						.00 ±0.20(.008)
APPROVED	MARS	2008.11.07	R2541-xxTR	C						.000±0.10(.004)
									PROJECTION:	

PART NO

R2541-xxTR

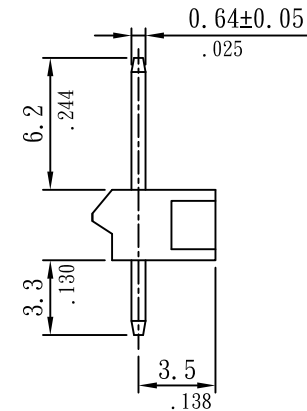
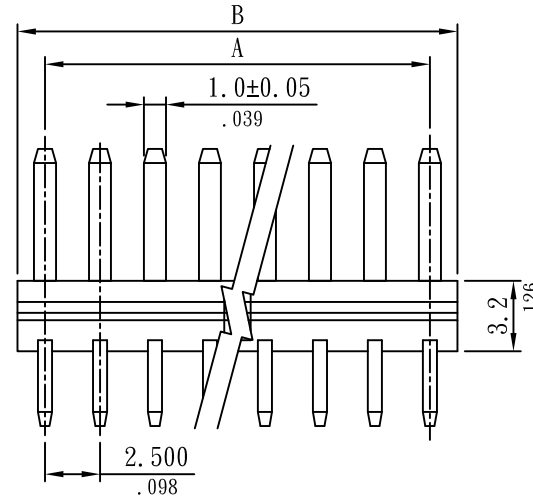
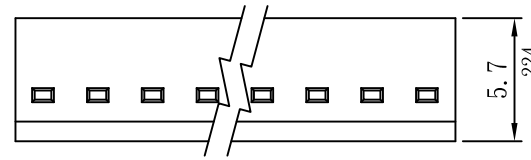
2.50mm(.098") WAFER 180°

MATERIAL

Insulator: Nylon 66 UL 94V-0
 Color: White
 Contact: Brass
 Plating: Tin plated

SPECIFICATIONS

Temperature range: -25°C ~ +85°C
 Current rating: 3.0A
 Voltage rating: 250V AC
 Dielectric withstand voltage: 1500V AC
 Insulation resistance: 500 MΩ Min.
 Contact resistance: 0.02Ω Max.
 Mates with S.Y.E. R2540-xxP Housng



Order Information

R 2541-xx T S
 I 2 3 4 5

1. RoHS
2. Series No.
3. Pin No.
4. Tin plated
5. Straight angle

Dimensional Information

Circuits	Dim. A	Dim. B	Circuits	Dim. A	Dim. B
2	2.50(0.098)	5.00(0.197)	11	25.00(0.984)	27.50(1.083)
3	5.00(0.197)	7.50(0.295)	12	27.50(1.083)	30.00(1.181)
4	7.50(0.295)	10.00(0.394)	13	30.00(1.181)	32.50(1.280)
5	10.00(0.394)	12.50(0.492)	14	32.50(1.280)	35.00(1.378)
6	12.50(0.492)	15.00(0.591)	15	35.00(1.378)	37.50(1.476)
7	15.00(0.591)	17.50(0.689)	16	37.50(1.476)	40.00(1.575)
8	17.50(0.689)	20.00(0.787)	18	42.50(1.673)	45.00(1.772)
9	20.00(0.787)	22.50(0.886)	19	45.00(1.772)	47.50(1.870)
10	22.50(0.886)	25.00(0.984)	20	47.50(1.870)	50.00(1.969)



Sunny Young Enterprise Co., Ltd.

S. Y. E. <http://www.sunnyyoung.com.tw>

13F., No. 116, Sec. 1, Xintai 5th Rd., Xizhi Dist., New Taipei City 221, Taiwan

Tel: +886 2 2696 1668(REP) Fax: +886 2 2696 2668

S010	NAME	DATE	SCALE: NTS	REV NO	DATE	DESCRIPTION	BY	CHECKED	TOLERANCE UNLESS NOTED	
DRAWN	PC	2018.02.06	UNIT: mm(in.)	A					LINEAR±	.0 ±0.30(.012)
CHECKED	PIQI	2018.02.07	CAD NO	B						.00 ±0.20(.008)
APPROVED	MARS	2018.02.07	R2541-xxTS	C						.000±0.10(.004)
									PROJECTION:	

PART NO

R2541-xxTS

2.50mm(.098") TERMINAL

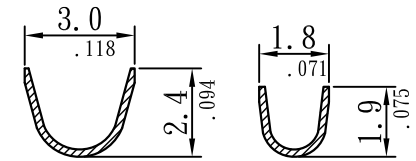
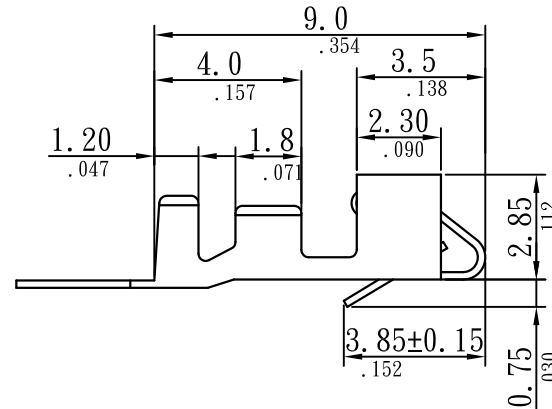
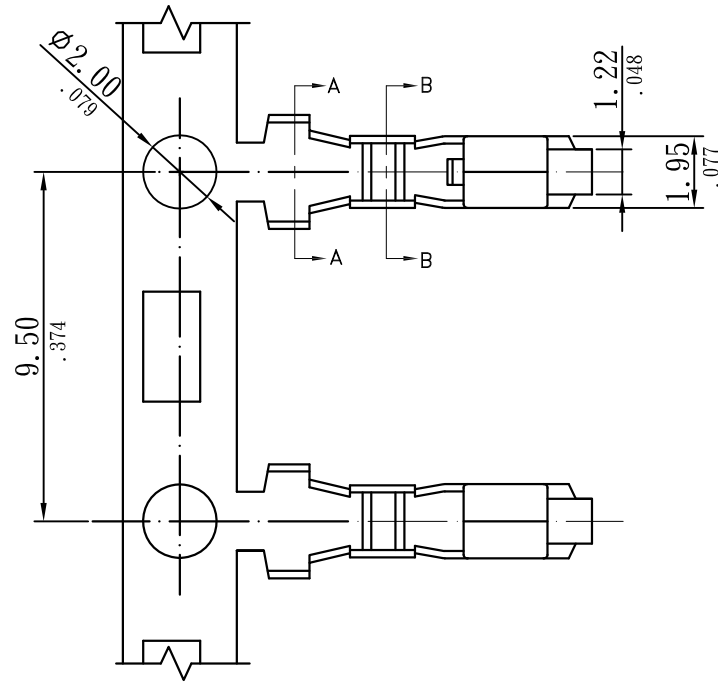
SPECIFICATIONS

Material: Phosphor bronze
 Thickness: 0.2mm
 Plating: Tin plated.
 Applicable wire: AWG 22 ~ AWG 28
 Used in S.Y.E. R2540-xxP Housing

Order Information

R 2543 - P T
 1 2 3 4

1. RoHS
2. Series No.
3. Phosphor bronze
4. Tin plated



SECTION A-A SECTION B-B



Sunny Young Enterprise Co., Ltd.

S. Y. E. <http://www.sunnyyoung.com.tw>

13F., No. 116, Sec. 1, Xintai 5th Rd., Xizhi Dist., New Taipei City 221, Taiwan

Tel: +886 2 2696 1668(REP) Fax: +886 2 2696 2668

PART NO

R2543-PT

S010

NAME

DATE

SCALE: NTS

REV NO

DATE

DESCRIPTION

BY

CHECKED

TOLERANCE UNLESS NOTED

DRAWN

xiexuanyin

2012. 09. 14

UNIT: mm(in.)

A

CHECKED

CAD NO

B

APPROVED

TINA

2012. 09. 14

R2543-PT

C

LINEAR±
 .0 ±0.30(.012)
 .00 ±0.20(.008)
 .000±0.10(.004)

PROJECTION: