

# 0.50mm(.020") HOUSING

## MATERIAL

Insulator: Nylon 46, UL94V-0  
 Lock spring: Stainless steel  
 Shell: Stainless steel

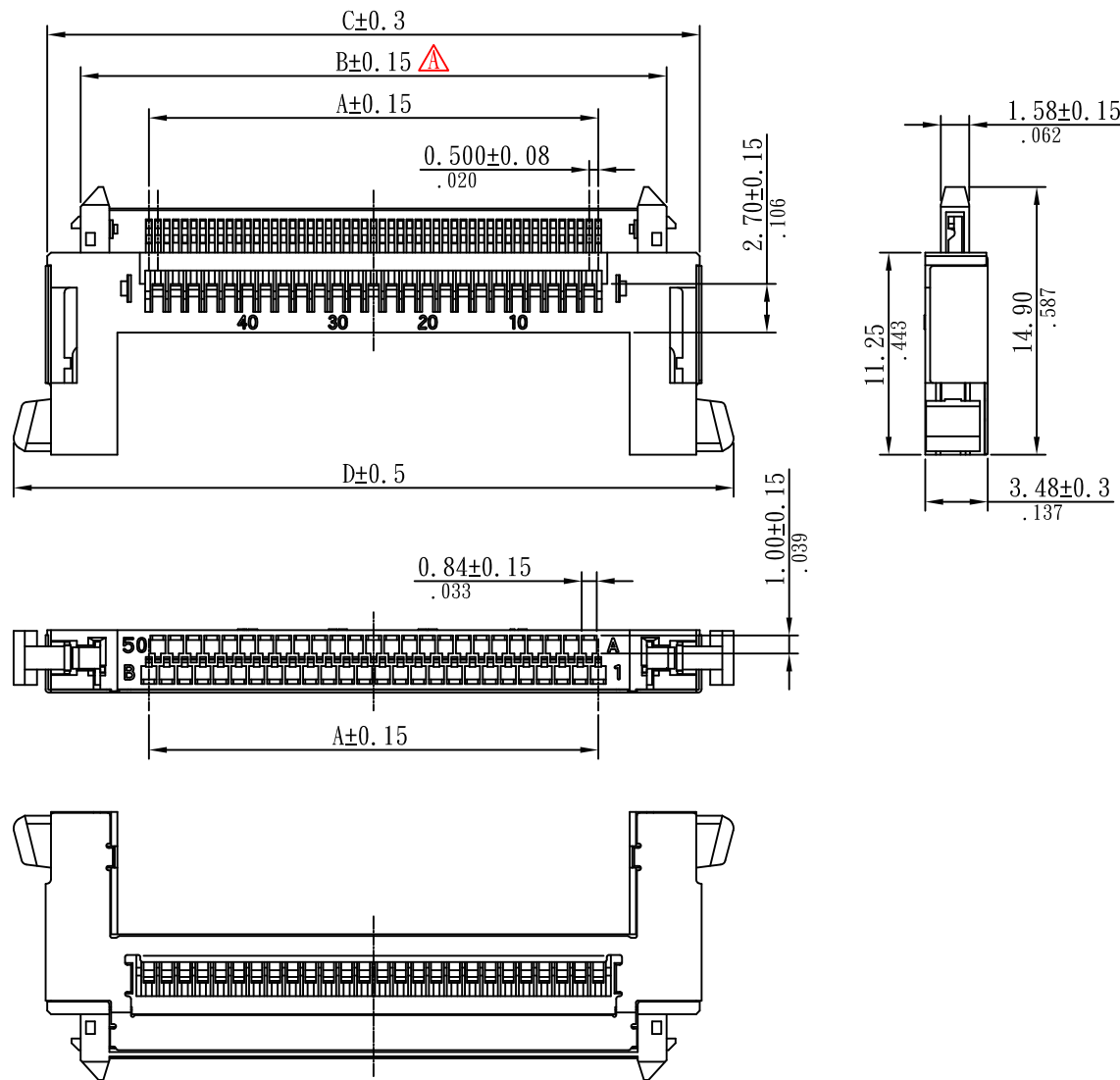
## Order Information

R 0500-xxP  
 1 2 3

1. RoHS
2. Series No.
3. Pin No.

## Dimensional Information

Circuits	Dim. A	Dim. B	Dim. C	Dim. D
21	10.00(0.394)	17.60(0.693)	21.30(0.839)	25.05(0.986)
31	15.00(0.591)	22.60(0.890)	26.30(1.035)	30.05(1.183)
41	20.00(0.787)	27.60(1.087)	31.30(1.232)	35.05(1.380)
51	25.00(0.984)	32.60(1.283)	36.30(1.429)	40.05(1.577)



Sunny Young Enterprise Co., Ltd.

S. Y. E. <http://www.sunnyyoung.com.tw>

13F., No. 116, Sec. 1, Xintai 5th Rd., Xizhi Dist., New Taipei City 221, Taiwan

Tel: +886 2 2696 1668(REP) Fax: +886 2 2696 2668

PART NO

R0500-xxP

T010	NAME	DATE	SCALE: 1:2.5	REV NO	DATE	DESCRIPTION	BY	CHECKED	TOLERANCE UNLESS NOTED	
DRAWN	PC	2008. 10. 02	UNIT: mm(in.)	A	2015. 01. 08	ADD DIMENSION	SONIA	SEAN	LINEAR±	.0 ±0.30(.012)
CHECKED	PIQI	2008. 10. 02	CAD NO	B						.00 ±0.20(.008)
APPROVED	MARS	2008. 10. 02	R0500-xxP	C						.000±0.10(.004)
									PROJECTION:	

# TERMINAL

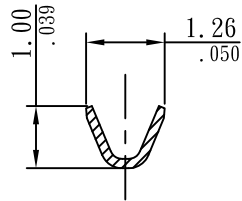
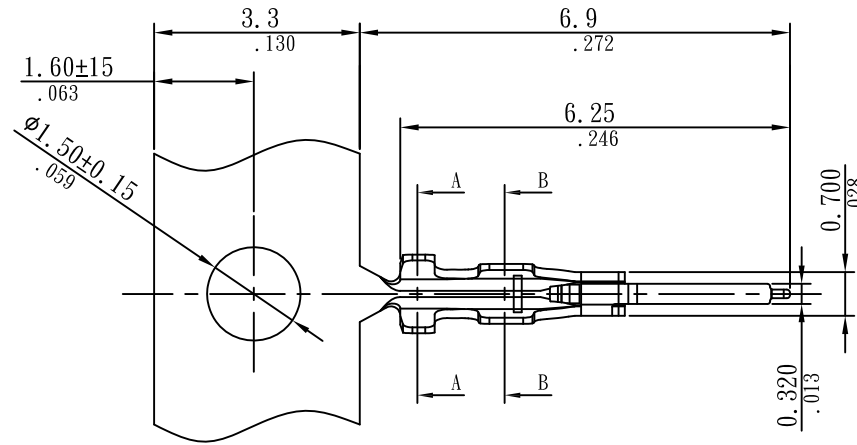
## SPECIFICATIONS

Material : Phosphor bronze  
 Thickness : 0.15mm  
 Plating: Gold plated  
 Applicable wire: AWG36 ~ AWG30  
 Insulation O. D. : 0.75mm Max.

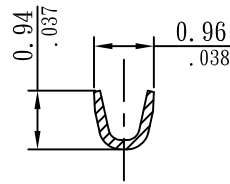
## Ordering Information

R 0503-P G-A  
 1 2 3 4 5

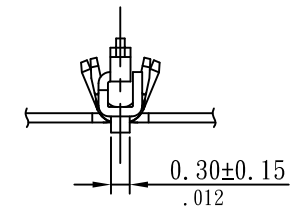
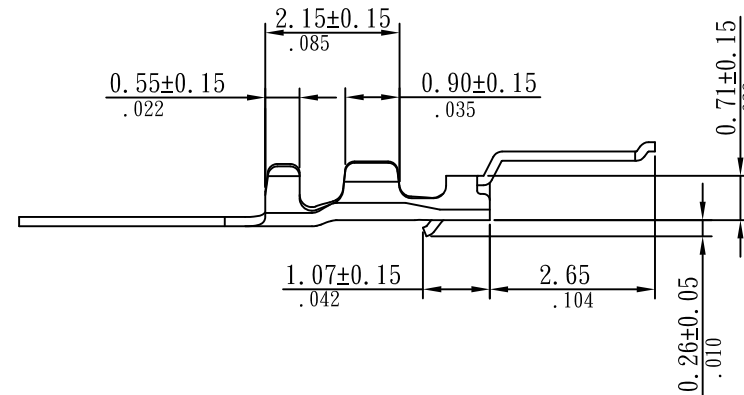
1. RoHS
2. Series No.
3. Phosphor bronze
4. Gold plated
5. A type



A-A SECTION



B-B SECTION



Sunny Young Enterprise Co., Ltd.

S. Y. E. <http://www.sunnyyoung.com.tw>

13F., No. 116, Sec. 1, Xintai 5th Rd., Xizhi Dist., New Taipei City 221, Taiwan

Tel: +886 2 2696 1668(REP) Fax: +886 2 2696 2668

PART NO

R0503-PG-A

T010	NAME	DATE	SCALE: 1:8.5	REV NO	DATE	DESCRIPTION	BY	CHECKED	TOLERANCE UNLESS NOTED	
DRAWN	PC	2015. 01. 08	UNIT: mm(in.)	A	2015. 01. 08	CHANGE VIEW APPEARANCE AND DIMENSION ADD TOLERANCE AND DIMENSION	SONIA	SEAN	LINEAR±	.0 ±0.30(.012)
CHECKED	PIQI	2015. 01. 08	CAD NO	B						.00 ±0.20(.008)
APPROVED	MARS	2015. 01. 08	R0503-PG-A	C						.000±0.10(.004)
									PROJECTION:	

# TERMINAL

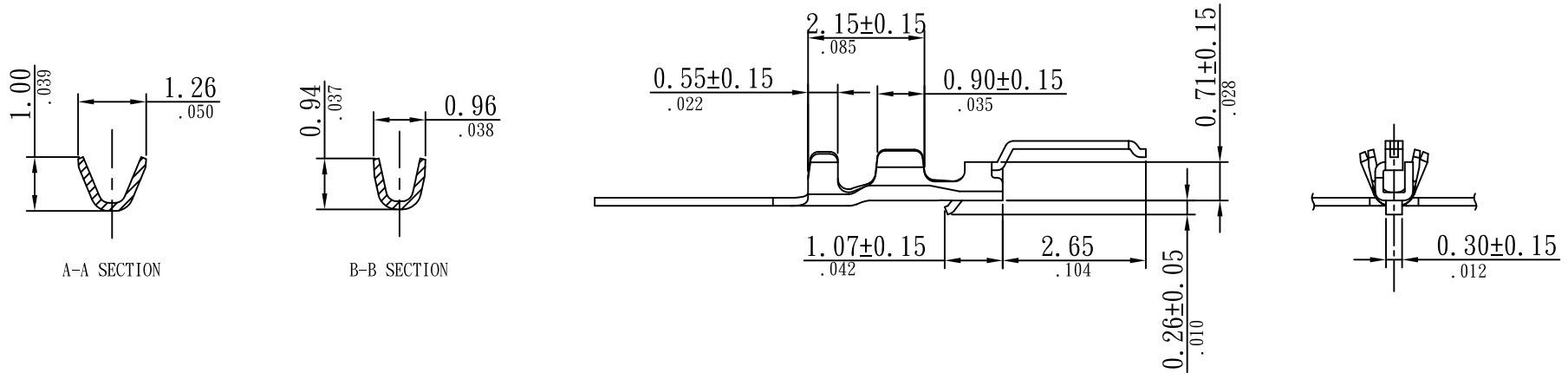
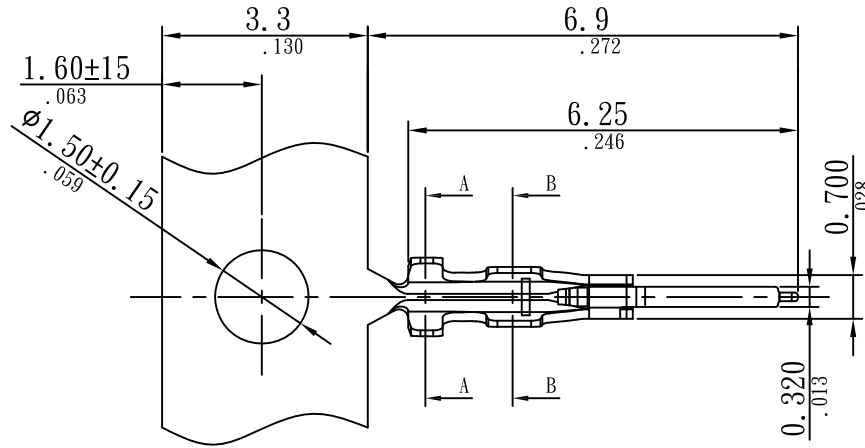
## SPECIFICATIONS

Material : Phosphor bronze  
 Thickness : 0.15mm  
 Plating: Gold plated  
 Applicable wire: AWG36 ~ AWG30  
 Insulation O. D. : 0.75mm Max.

## Order Information

R 0503-P G-B  
 1 2 3 4 5

1. RoHS
2. Series No.
3. Phosphor bronze
4. Gold plated
5. A type



Sunny Young Enterprise Co., Ltd.

S. Y. E. <http://www.sunnyyoung.com.tw>

13F., No. 116, Sec. 1, Xintai 5th Rd., Xizhi Dist., New Taipei City 221, Taiwan

Tel: +886 2 2696 1668(REP) Fax: +886 2 2696 2668

PART NO R0503-PG-B

T010	NAME	DATE	SCALE: 1:8.5	REV NO	DATE	DESCRIPTION	BY	CHECKED	TOLERANCE UNLESS NOTED	
DRAWN	STEVEN	2014. 01. 03	UNIT: mm(in.)	A					LINEAR±	.0 ±0.30(.012)
CHECKED	SEAN	2014. 01. 03	CAD NO	B						.00 ±0.20(.008)
APPROVED	TINA	2014. 07. 18	R0503-PG-B	C						.000±0.10(.004)
									PROJECTION:	